

Inverter Multi System R32

Outdoor Unit (4 Rooms)



RAS-4M27U2AVG-E

Contents

| | |
|---|-----------|
| 1 Line up | 2 |
| 2 Specifications | 3 |
| 2-1 Outdoor Unit | 3 |
| 2-2 Combination | 4 |
| 3 Dimention | 28 |
| 4 Wiring | 29 |
| 5 Refrigerant cycle | 30 |
| 6 Sound Characteristics (NC Curve) | 31 |
| 7 Capacity table | 32 |

1. Line up

RAS-4M27U2AVG-E

| Type | Appearance | Model name | Capacity rank |
|------------------|---|-----------------|---------------|
| High wall DSK9 |  | RAS-M10PKVPG-E | 10k |
| | | RAS-M13PKVPG-E | 13k |
| | | RAS-M16PKVPG-E | 16k |
| High wall SHORAI |  | RAS-M05PKVSG-E | 05k |
| | | RAS-M07PKVSG-E | 07k |
| | | RAS-B10PKVSG-E | 10k |
| | | RAS-B13PKVSG-E | 13k |
| | | RAS-B16PKVSG-E | 16k |
| | | RAS-B22PKVSG-E | 22k |
| High wall MIRAI |  | RAS-B05BKVG-E | 05k |
| | | RAS-B07BKVG-E | 07k |
| | | RAS-B10BKVG-E | 10k |
| | | RAS-B13BKVG-E | 13k |
| | | RAS-B16BKVG-E | 16k |
| Ducted |  | RAS-M07U2DVG-E | 07k |
| | | RAS-M10U2DVG-E | 10k |
| | | RAS-M13U2DVG-E | 13k |
| | | RAS-M16U2DVG-E | 16k |
| | | RAS-M22U2DVG-E | 22k |
| | | RAS-M24U2DVG-E | 24k |
| Compact 4-way |  | RAS-M10U2MUVG-E | 10k |
| | | RAS-M13U2MUVG-E | 13k |
| | | RAS-M16U2MUVG-E | 16k |
| Bi-Flow Console |  | RAS-B10U2FVG-E | 10k |
| | | RAS-B13U2FVG-E | 13k |
| | | RAS-B18U2FVG-E | 18k |

2. Specifications

2.1 Outdoor unit ; RAS-4M27U2AVG-E

| | | | | | | |
|---------------------------|---------------------------------|--|---|--|--------------------|--|
| Unit model | | Outdoor | | RAS-4M27U2AVG-E | | |
| | | Connection indoor unit of this specification | | RAS-B13PKVSG-E (x4) | | |
| Cooling Capacity | | | (kW) | 8.0 | | |
| Cooling Capacity range | | | (kW) | 4.2 to 9.3 | | |
| Heating Capacity | | | (kW) | 9.0 | | |
| Heating Capacity range | | | (kW) | 2.9 to 11.7 | | |
| Power supply | | | 220-240V , 1Ph, 50Hz | | | |
| Electric characteristics | Total | Operation mode | | Cooling | Heating | |
| | | Running current | (A) | 10.94 / 10.46 / 10.03 | 9.22 / 8.82 / 8.45 | |
| | | Power consumption | (W) | 2286 | 1927 | |
| | | Power factor | (%) | 95 | 95 | |
| | | Starting current | (A) | 10.94 | | |
| COP (Cooling/Heating) | | | 3.50 / 4.67 | | | |
| Operating noise | Outdoor (Cooling/Heating) | Sound pressure level | (dBA) | 48 / 49 | | |
| | | Sound power level | (dBA) | 63 / 64 | | |
| Outdoor unit | Dimension | Height | (mm) | 890 | | |
| | | Width | (mm) | 900 | | |
| | | Depth | (mm) | 320 | | |
| | Net weight | | (kg) | 72 | | |
| | Compressor | Motor output | | (W) | 2000 | |
| | | Type | | Twin rotary type with DC-inverter variable speed control | | |
| | | Model | | DX220A2T-20L | | |
| | Fan motor output | | (W) | 60 | | |
| | Air flow rate (Cooling/Heating) | | (m³/h) | 2507 / 2507 | | |
| | Type | | Flare connection | | | |
| | Name of refrigerant | | R32 | | | |
| Weight of refrigerant | | (kg) | 1.92 | | | |
| Piping connection | Outdoor unit | A unit liquid side/gas side | Ø6.35 / Ø12.7 | | | |
| | | B unit liquid side/gas side | Ø6.35 / Ø12.7 | | | |
| | | C unit liquid side/gas side | Ø6.35 / Ø9.52 | | | |
| | | D unit liquid side/gas side | Ø6.35 / Ø9.52 | | | |
| | Maximum length (per unit) | | (m) | 25 | | |
| | Maximum length (total) | | (m) | 70 | | |
| | Maximum chargeless length | | (m) | 40 | | |
| Maximum height difference | | (m) | 15 | | | |
| Wiring connection | Power supply / interconnection | | 3 Wires : includes earth / 4 Wires : includes earth | | | |
| Usable temperature range | Outdoor (Cooling/Heating) | | (°C) | -10 to 46 / - 15 to 24 | | |

For performance when each indoor unit is combined with other unit, refer to the separate table.
The specifications may be subject to change without notice for purpose of improvement.

• (*1) Rated conditions

Cooling : Capacity test condition, inside : 27 °C (Db) / 19 °C (Wb), outside : 35 °C (Db) / 24 °C (Wb)

Heating : Capacity test condition, inside : 20 °C (Db), outside : 7 °C (Db) / 6°C (Wb)

Piping length : 5 m per Indoor Unit.

2.2 Combination

Operation mode : Cooling

Power supply voltage : 220V

| Operation status | Indoor unit | | | | | Unit capacity (kW) | | | | Cooling capacity (kW) | | | Power consumption (W) | | | Operating current (A) | | | Power factor (%) | | SEER | | | |
|------------------|-------------|----|---|---|----|--------------------|------|------|---|-----------------------|-----|-----|-----------------------|-----|------|-----------------------|------|-------|------------------|-------|------|-----|------|------|
| | A | B | C | D | E | ΣkBTU | A | B | C | D | E | Min | Rate | Max | Min | Rate | Max | Min | Rate | Max | | Min | Rate | Max |
| 1 unit | 05 | - | - | - | - | 5 | 1.50 | - | - | - | - | 1.4 | 1.5 | 2.0 | 630 | 640 | 650 | 3.77 | 3.78 | 3.48 | 76 | 77 | 85 | - |
| | 07 | - | - | - | - | 7 | 2.00 | - | - | - | - | 1.4 | 2.0 | 2.5 | 640 | 650 | 700 | 3.83 | 3.84 | 3.74 | 76 | 77 | 85 | - |
| | 10 | - | - | - | - | 10 | 2.70 | - | - | - | - | 1.4 | 2.7 | 3.2 | 640 | 750 | 950 | 3.83 | 4.43 | 4.64 | 76 | 77 | 93 | - |
| | 13 | - | - | - | - | 13 | 3.70 | - | - | - | - | 1.4 | 3.7 | 4.4 | 640 | 1200 | 1520 | 3.68 | 6.20 | 7.20 | 79 | 88 | 96 | - |
| | 16 | - | - | - | - | 16 | 4.50 | - | - | - | - | 1.4 | 4.5 | 5.0 | 640 | 1650 | 2000 | 3.68 | 7.98 | 9.28 | 79 | 94 | 98 | - |
| | 18 | - | - | - | - | 18 | 5.00 | - | - | - | - | 1.4 | 5.0 | 5.2 | 640 | 1950 | 2100 | 3.68 | 9.33 | 9.74 | 79 | 95 | 98 | - |
| | 22 | - | - | - | - | 22 | 6.00 | - | - | - | - | 2.4 | 6.0 | 6.8 | 640 | 2020 | 2500 | 3.68 | 9.67 | 11.60 | 79 | 95 | 98 | - |
| | 24 | - | - | - | - | 24 | 7.10 | - | - | - | - | 2.4 | 7.1 | 7.2 | 660 | 2390 | 2960 | 3.80 | 11.44 | 13.73 | 79 | 95 | 98 | - |
| 2 units | 05 | 05 | - | - | - | 10 | 1.50 | 1.50 | - | - | - | 2.5 | 3.0 | 4.0 | 640 | 800 | 1250 | 3.64 | 3.83 | 5.80 | 80 | 95 | 98 | 5.67 |
| | 07 | 05 | - | - | - | 12 | 2.00 | 1.50 | - | - | - | 2.5 | 3.5 | 4.5 | 640 | 1000 | 1400 | 3.64 | 4.78 | 6.49 | 80 | 95 | 98 | 5.91 |
| | 10 | 05 | - | - | - | 15 | 2.70 | 1.50 | - | - | - | 2.5 | 4.2 | 5.0 | 640 | 1450 | 1800 | 3.64 | 6.94 | 8.35 | 80 | 95 | 98 | 6.06 |
| | 13 | 05 | - | - | - | 18 | 3.70 | 1.50 | - | - | - | 2.5 | 5.2 | 6.2 | 640 | 1500 | 1900 | 3.64 | 7.18 | 8.81 | 80 | 95 | 98 | 6.15 |
| | 16 | 05 | - | - | - | 21 | 4.50 | 1.50 | - | - | - | 2.5 | 6.0 | 7.0 | 640 | 1900 | 2350 | 3.64 | 9.09 | 10.90 | 80 | 95 | 98 | 6.26 |
| | 18 | 05 | - | - | - | 23 | 5.00 | 1.50 | - | - | - | 2.5 | 6.5 | 7.5 | 640 | 2050 | 2400 | 3.64 | 9.81 | 11.13 | 80 | 95 | 98 | 6.23 |
| | 22 | 05 | - | - | - | 27 | 6.00 | 1.50 | - | - | - | 2.5 | 7.5 | 8.0 | 640 | 2550 | 2750 | 3.64 | 12.20 | 12.76 | 80 | 95 | 98 | 6.31 |
| | 24 | 05 | - | - | - | 29 | 6.19 | 1.31 | - | - | - | 2.5 | 7.5 | 8.0 | 640 | 2550 | 2750 | 3.64 | 12.20 | 12.76 | 80 | 95 | 98 | 6.30 |
| | 07 | 07 | - | - | - | 14 | 2.00 | 2.00 | - | - | - | 2.5 | 4.0 | 5.0 | 640 | 1350 | 1770 | 3.64 | 6.46 | 8.21 | 80 | 95 | 98 | 6.12 |
| | 10 | 07 | - | - | - | 17 | 2.70 | 2.00 | - | - | - | 2.5 | 4.7 | 5.7 | 640 | 1530 | 1910 | 3.64 | 7.32 | 8.86 | 80 | 95 | 98 | 6.23 |
| | 13 | 07 | - | - | - | 20 | 3.70 | 2.00 | - | - | - | 2.6 | 5.7 | 6.5 | 660 | 1810 | 2130 | 3.75 | 8.66 | 9.88 | 80 | 95 | 98 | 6.31 |
| | 16 | 07 | - | - | - | 23 | 4.08 | 1.82 | - | - | - | 2.7 | 5.9 | 6.6 | 660 | 1810 | 2220 | 3.75 | 8.66 | 10.30 | 80 | 95 | 98 | 6.27 |
| | 18 | 07 | - | - | - | 25 | 4.50 | 1.80 | - | - | - | 2.9 | 6.3 | 6.9 | 670 | 2040 | 2400 | 3.81 | 9.76 | 11.13 | 80 | 95 | 98 | 6.27 |
| | 22 | 07 | - | - | - | 29 | 4.73 | 1.58 | - | - | - | 2.9 | 6.3 | 6.9 | 670 | 2040 | 2400 | 3.81 | 9.76 | 11.13 | 80 | 95 | 98 | 6.31 |
| | 24 | 07 | - | - | - | 31 | 5.31 | 1.49 | - | - | - | 3.0 | 6.8 | 7.2 | 690 | 2320 | 2570 | 3.92 | 11.10 | 11.92 | 80 | 95 | 98 | 6.35 |
| | 10 | 10 | - | - | - | 20 | 2.70 | 2.70 | - | - | - | 2.5 | 5.4 | 6.3 | 640 | 1530 | 2040 | 3.64 | 7.32 | 9.46 | 80 | 95 | 98 | 6.26 |
| | 13 | 10 | - | - | - | 23 | 3.41 | 2.49 | - | - | - | 2.7 | 5.9 | 6.6 | 660 | 1810 | 2220 | 3.75 | 8.66 | 10.30 | 80 | 95 | 98 | 6.29 |
| | 16 | 10 | - | - | - | 26 | 3.94 | 2.36 | - | - | - | 2.9 | 6.3 | 6.9 | 670 | 2040 | 2400 | 3.81 | 9.76 | 11.13 | 80 | 95 | 98 | 6.16 |
| | 18 | 10 | - | - | - | 28 | 4.09 | 2.21 | - | - | - | 2.9 | 6.3 | 6.9 | 670 | 2040 | 2400 | 3.81 | 9.76 | 11.13 | 80 | 95 | 98 | 6.27 |
| | 22 | 10 | - | - | - | 32 | 4.69 | 2.11 | - | - | - | 3.0 | 6.8 | 7.2 | 690 | 2320 | 2570 | 3.92 | 11.10 | 11.92 | 80 | 95 | 98 | 6.36 |
| | 24 | 10 | - | - | - | 34 | 5.22 | 1.98 | - | - | - | 3.2 | 7.2 | 7.5 | 700 | 2550 | 2750 | 3.98 | 12.20 | 12.76 | 80 | 95 | 98 | 6.41 |
| | 13 | 13 | - | - | - | 26 | 3.15 | 3.15 | - | - | - | 2.9 | 6.3 | 6.9 | 670 | 2040 | 2400 | 3.81 | 9.76 | 11.13 | 80 | 95 | 98 | 6.16 |
| | 16 | 13 | - | - | - | 29 | 3.73 | 3.07 | - | - | - | 3.0 | 6.8 | 7.2 | 690 | 2320 | 2570 | 3.92 | 11.10 | 11.92 | 80 | 95 | 98 | 6.07 |
| | 18 | 13 | - | - | - | 31 | 3.91 | 2.89 | - | - | - | 3.0 | 6.8 | 7.2 | 690 | 2320 | 2570 | 3.92 | 11.10 | 11.92 | 80 | 95 | 98 | 6.33 |
| | 22 | 13 | - | - | - | 35 | 4.45 | 2.75 | - | - | - | 3.2 | 7.2 | 7.5 | 700 | 2550 | 2750 | 3.98 | 12.20 | 12.76 | 80 | 95 | 98 | 6.42 |
| | 24 | 13 | - | - | - | 37 | 4.73 | 2.47 | - | - | - | 3.2 | 7.2 | 7.5 | 700 | 2550 | 2750 | 3.98 | 12.20 | 12.76 | 80 | 95 | 98 | 6.41 |
| | 16 | 16 | - | - | - | 32 | 3.60 | 3.60 | - | - | - | 3.2 | 7.2 | 7.5 | 700 | 2550 | 2750 | 3.98 | 12.20 | 12.76 | 80 | 95 | 98 | 6.42 |
| | 18 | 16 | - | - | - | 34 | 3.79 | 3.41 | - | - | - | 3.2 | 7.2 | 7.5 | 700 | 2550 | 2750 | 3.98 | 12.20 | 12.76 | 80 | 95 | 98 | 6.39 |
| | 22 | 16 | - | - | - | 38 | 4.17 | 3.13 | - | - | - | 3.2 | 7.3 | 7.5 | 700 | 2550 | 2750 | 3.98 | 12.20 | 12.76 | 80 | 95 | 98 | 6.41 |
| | 24 | 16 | - | - | - | 40 | 4.47 | 2.83 | - | - | - | 3.2 | 7.3 | 7.5 | 700 | 2550 | 2750 | 3.98 | 12.20 | 12.76 | 80 | 95 | 98 | 6.40 |
| | 18 | 18 | - | - | - | 36 | 3.60 | 3.60 | - | - | - | 3.2 | 7.2 | 7.5 | 700 | 2550 | 2750 | 3.98 | 12.20 | 12.76 | 80 | 95 | 98 | 6.35 |
| | 22 | 18 | - | - | - | 40 | 4.04 | 3.36 | - | - | - | 3.2 | 7.4 | 7.5 | 700 | 2550 | 2750 | 3.98 | 12.20 | 12.76 | 80 | 95 | 98 | 6.39 |
| 24 | 18 | - | - | - | 42 | 4.34 | 3.06 | - | - | - | 3.2 | 7.4 | 7.5 | 700 | 2550 | 2750 | 3.98 | 12.20 | 12.76 | 80 | 95 | 98 | 6.39 | |

Cooling : Capacity test condition, inside : 27 °C (Db) / 19 °C (Wb), outside : 35 °C (Db) / 24 °C (Wb)
 Piping length : 5 m. per indoor unit.

Operation mode : Cooling

Power supply voltage : 220V

| Operation status | Indoor unit | | | | | Unit capacity (kW) | | | | | Cooling capacity (kW) | | | Power consumption (W) | | | Operating current (A) | | | Power factor (%) | | | SEER | |
|------------------|-------------|-----|-----|-----|---|--------------------|------|------|------|------|-----------------------|-----|------|-----------------------|-----|------|-----------------------|------|-------|------------------|-----|------|------|------|
| | A | B | C | D | E | ΣkBTU | A | B | C | D | E | Min | Rate | Max | Min | Rate | Max | Min | Rate | Max | Min | Rate | | Max |
| 4 units | 16 | 13 | 10 | 10 | - | 49 | 2.61 | 2.15 | 1.57 | 1.57 | - | 4.2 | 7.9 | 9.3 | 950 | 2257 | 2820 | 4.80 | 10.80 | 13.08 | 90 | 95 | 98 | 6.09 |
| | 18 | 13 | 10 | 10 | - | 51 | 2.80 | 2.07 | 1.51 | 1.51 | - | 4.2 | 7.9 | 9.3 | 950 | 2257 | 2820 | 4.80 | 10.80 | 13.08 | 90 | 95 | 98 | 6.06 |
| | 16 | 16 | 10 | 10 | - | 52 | 2.50 | 2.50 | 1.50 | 1.50 | - | 4.2 | 8.0 | 9.3 | 950 | 2286 | 2820 | 4.80 | 10.94 | 13.08 | 90 | 95 | 98 | 6.11 |
| | 18 | 16 | 10 | 10 | - | 54 | 2.68 | 2.42 | 1.45 | 1.45 | - | 4.2 | 8.0 | 9.3 | 950 | 2286 | 2820 | 4.80 | 10.94 | 13.08 | 90 | 95 | 98 | 6.08 |
| | 13 | 13 | 13 | 10 | - | 49 | 2.12 | 2.12 | 2.12 | 1.55 | - | 4.2 | 7.9 | 9.3 | 950 | 2257 | 2820 | 4.80 | 10.80 | 13.08 | 90 | 95 | 98 | 6.09 |
| | 16 | 13 | 13 | 10 | - | 52 | 2.47 | 2.03 | 2.03 | 1.48 | - | 4.2 | 8.0 | 9.3 | 950 | 2286 | 2820 | 4.80 | 10.94 | 13.08 | 90 | 95 | 98 | 6.11 |
| | 18 | 13 | 13 | 10 | - | 54 | 2.65 | 1.96 | 1.96 | 1.43 | - | 4.2 | 8.0 | 9.3 | 950 | 2286 | 2820 | 4.80 | 10.94 | 13.08 | 90 | 95 | 98 | 6.08 |
| | 13 | 13 | 13 | 13 | - | 52 | 2.00 | 2.00 | 2.00 | 2.00 | - | 4.2 | 8.0 | 9.3 | 950 | 2286 | 2820 | 4.80 | 10.94 | 13.08 | 90 | 95 | 98 | 6.11 |
| | 22 | 05* | 05* | 05* | - | 37 | 4.51 | 1.13 | 1.13 | 1.13 | - | 4.0 | 7.9 | 9.0 | 950 | 2200 | 2760 | 4.80 | 10.53 | 12.85 | 90 | 95 | 98 | 6.10 |
| | 24 | 05* | 05* | 05* | - | 39 | 4.84 | 1.02 | 1.02 | 1.02 | - | 4.0 | 7.9 | 9.0 | 950 | 2220 | 2770 | 4.80 | 10.62 | 12.85 | 90 | 95 | 98 | 6.09 |
| | 22 | 07* | 05* | 05* | - | 39 | 4.31 | 1.44 | 1.08 | 1.08 | - | 4.0 | 7.9 | 9.3 | 950 | 2210 | 2760 | 4.80 | 10.57 | 12.80 | 90 | 95 | 98 | 6.10 |
| | 24 | 07* | 05* | 05* | - | 41 | 4.64 | 1.31 | 0.98 | 0.98 | - | 4.0 | 7.9 | 9.3 | 950 | 2230 | 2780 | 4.80 | 10.67 | 12.89 | 90 | 95 | 98 | 6.09 |
| | 22 | 10* | 05* | 05* | - | 42 | 4.05 | 1.82 | 1.01 | 1.01 | - | 4.0 | 7.9 | 9.3 | 950 | 2220 | 2770 | 4.80 | 10.62 | 12.85 | 90 | 95 | 98 | 6.10 |
| | 24 | 10* | 05* | 05* | - | 44 | 4.38 | 1.67 | 0.93 | 0.93 | - | 4.0 | 7.9 | 9.3 | 950 | 2220 | 2770 | 4.80 | 10.62 | 12.85 | 90 | 95 | 98 | 6.09 |
| | 22 | 13* | 05* | 05* | - | 45 | 3.73 | 2.30 | 0.93 | 0.93 | - | 4.0 | 7.9 | 9.3 | 950 | 2220 | 2770 | 4.80 | 10.62 | 12.85 | 90 | 95 | 98 | 6.10 |
| | 24 | 13* | 05* | 05* | - | 47 | 4.06 | 2.12 | 0.86 | 0.86 | - | 4.0 | 7.9 | 9.3 | 950 | 2220 | 2770 | 4.80 | 10.62 | 12.85 | 90 | 95 | 98 | 6.09 |
| | 22 | 07* | 07* | 05* | - | 41 | 4.12 | 1.37 | 1.37 | 1.03 | - | 4.0 | 7.9 | 9.3 | 950 | 2220 | 2770 | 4.80 | 10.62 | 12.85 | 90 | 95 | 98 | 6.10 |
| | 24 | 07* | 07* | 05* | - | 43 | 4.45 | 1.25 | 1.25 | 0.94 | - | 4.0 | 7.9 | 9.3 | 950 | 2220 | 2770 | 4.80 | 10.62 | 12.85 | 90 | 95 | 98 | 6.09 |
| | 22 | 10* | 07* | 05* | - | 44 | 3.89 | 1.75 | 1.30 | 0.97 | - | 4.0 | 7.9 | 9.3 | 950 | 2220 | 2770 | 4.80 | 10.62 | 12.85 | 90 | 95 | 98 | 6.10 |
| | 24 | 10* | 07* | 05* | - | 46 | 4.22 | 1.60 | 1.19 | 0.89 | - | 4.0 | 7.9 | 9.3 | 950 | 2220 | 2770 | 4.80 | 10.62 | 12.85 | 90 | 95 | 98 | 6.09 |
| | 22 | 13* | 07* | 05* | - | 47 | 3.59 | 2.21 | 1.20 | 0.90 | - | 4.0 | 7.9 | 9.3 | 950 | 2220 | 2770 | 4.80 | 10.62 | 12.85 | 90 | 95 | 98 | 6.10 |
| | 24 | 13* | 07* | 05* | - | 49 | 3.92 | 2.04 | 1.10 | 0.83 | - | 4.0 | 7.9 | 9.3 | 950 | 2220 | 2770 | 4.80 | 10.62 | 12.85 | 90 | 95 | 98 | 6.09 |
| | 22 | 10* | 10* | 05* | - | 47 | 3.67 | 1.65 | 1.65 | 0.92 | - | 4.0 | 7.9 | 9.3 | 950 | 2220 | 2770 | 4.80 | 10.62 | 12.85 | 90 | 95 | 98 | 6.10 |
| | 24 | 10* | 10* | 05* | - | 49 | 4.01 | 1.52 | 1.52 | 0.85 | - | 4.0 | 7.9 | 9.3 | 950 | 2220 | 2770 | 4.80 | 10.62 | 12.85 | 90 | 95 | 98 | 6.09 |
| | 22 | 13* | 10* | 05* | - | 50 | 3.41 | 2.10 | 1.53 | 0.85 | - | 4.0 | 7.9 | 9.3 | 950 | 2220 | 2770 | 4.80 | 10.62 | 12.85 | 90 | 95 | 98 | 6.10 |
| | 24 | 13* | 10* | 05* | - | 52 | 3.74 | 1.95 | 1.42 | 0.79 | - | 4.0 | 7.9 | 9.3 | 950 | 2220 | 2770 | 4.80 | 10.62 | 12.85 | 90 | 95 | 98 | 6.09 |
| | 22 | 07* | 07* | 07* | - | 43 | 3.95 | 1.32 | 1.32 | 1.32 | - | 4.2 | 7.9 | 9.3 | 950 | 2257 | 2820 | 4.80 | 10.80 | 13.08 | 90 | 95 | 98 | 6.09 |
| | 24 | 07* | 07* | 07* | - | 45 | 4.28 | 1.21 | 1.21 | 1.21 | - | 4.2 | 7.9 | 9.3 | 950 | 2257 | 2820 | 4.80 | 10.80 | 13.08 | 90 | 95 | 98 | 6.08 |
| | 22 | 10* | 07* | 07* | - | 46 | 3.73 | 1.68 | 1.24 | 1.24 | - | 4.2 | 7.9 | 9.3 | 950 | 2257 | 2820 | 4.80 | 10.80 | 13.08 | 90 | 95 | 98 | 6.09 |
| | 24 | 10* | 07* | 07* | - | 48 | 4.06 | 1.55 | 1.14 | 1.14 | - | 4.2 | 7.9 | 9.3 | 950 | 2257 | 2820 | 4.80 | 10.80 | 13.08 | 90 | 95 | 98 | 6.08 |
| | 22 | 13* | 07* | 07* | - | 49 | 3.46 | 2.13 | 1.15 | 1.15 | - | 4.2 | 7.9 | 9.3 | 950 | 2257 | 2820 | 4.80 | 10.80 | 13.08 | 90 | 95 | 98 | 6.09 |
| | 24 | 13* | 07* | 07* | - | 51 | 3.79 | 1.98 | 1.07 | 1.07 | - | 4.2 | 7.9 | 9.3 | 950 | 2257 | 2820 | 4.80 | 10.80 | 13.08 | 90 | 95 | 98 | 6.08 |
| | 22 | 10* | 10* | 07* | - | 49 | 3.54 | 1.59 | 1.59 | 1.18 | - | 4.2 | 7.9 | 9.3 | 950 | 2257 | 2820 | 4.80 | 10.80 | 13.08 | 90 | 95 | 98 | 6.09 |
| | 24 | 10* | 10* | 07* | - | 51 | 3.87 | 1.47 | 1.47 | 1.09 | - | 4.2 | 7.9 | 9.3 | 950 | 2257 | 2820 | 4.80 | 10.80 | 13.08 | 90 | 95 | 98 | 6.08 |
| | 22 | 13* | 10* | 07* | - | 52 | 3.33 | 2.06 | 1.50 | 1.11 | - | 4.2 | 8.0 | 9.3 | 950 | 2286 | 2820 | 4.80 | 10.94 | 13.08 | 90 | 95 | 98 | 6.10 |
| | 24 | 13* | 10* | 07* | - | 54 | 3.66 | 1.91 | 1.39 | 1.03 | - | 4.2 | 8.0 | 9.3 | 950 | 2286 | 2820 | 4.80 | 10.94 | 13.08 | 90 | 95 | 98 | 6.10 |
| | 22 | 10* | 10* | 10* | - | 52 | 3.40 | 1.53 | 1.53 | 1.53 | - | 4.2 | 8.0 | 9.3 | 950 | 2286 | 2820 | 4.80 | 10.94 | 13.08 | 90 | 95 | 98 | 6.10 |
| | 24 | 10* | 10* | 10* | - | 54 | 3.74 | 1.42 | 1.42 | 1.42 | - | 4.2 | 8.0 | 9.3 | 950 | 2286 | 2820 | 4.80 | 10.94 | 13.08 | 90 | 95 | 98 | 6.10 |

* Applicable FCU are "PKV" series and "BKV" series

Cooling : Capacity test condition, inside : 27 °C (Db) / 19 °C (Wb), outside : 35 °C (Db) / 24 °C (Wb)

Piping length : 5 m. per indoor unit.

Operation mode : Cooling

Power supply voltage : 230V

| Operation status | Indoor unit | | | | | | Unit capacity (kW) | | | | | Cooling capacity (kW) | | | Power consumption (W) | | | Operating current (A) | | | Power factor (%) | | | SEER |
|------------------|-------------|----|---|---|---|-------|--------------------|------|---|---|---|-----------------------|------|-----|-----------------------|------|------|-----------------------|-------|-------|------------------|------|-----|------|
| | A | B | C | D | E | ΣkBTU | A | B | C | D | E | Min | Rate | Max | Min | Rate | Max | Min | Rate | Max | Min | Rate | Max | |
| 1 unit | 05 | - | - | - | - | 5 | 1.50 | - | - | - | - | 1.4 | 1.5 | 2.0 | 630 | 640 | 650 | 3.60 | 3.61 | 3.32 | 76 | 77 | 85 | - |
| | 07 | - | - | - | - | 7 | 2.00 | - | - | - | - | 1.4 | 2.0 | 2.5 | 640 | 650 | 700 | 3.66 | 3.67 | 3.58 | 76 | 77 | 85 | - |
| | 10 | - | - | - | - | 10 | 2.70 | - | - | - | - | 1.4 | 2.7 | 3.2 | 640 | 750 | 950 | 3.66 | 4.23 | 4.44 | 76 | 77 | 93 | - |
| | 13 | - | - | - | - | 13 | 3.70 | - | - | - | - | 1.4 | 3.7 | 4.4 | 640 | 1200 | 1520 | 3.52 | 5.93 | 6.88 | 79 | 88 | 96 | - |
| | 16 | - | - | - | - | 16 | 4.50 | - | - | - | - | 1.4 | 4.5 | 5.0 | 640 | 1650 | 2000 | 3.52 | 7.63 | 8.87 | 79 | 94 | 98 | - |
| | 18 | - | - | - | - | 18 | 5.00 | - | - | - | - | 1.4 | 5.0 | 5.2 | 640 | 1950 | 2100 | 3.52 | 8.92 | 9.32 | 79 | 95 | 98 | - |
| | 22 | - | - | - | - | 22 | 6.00 | - | - | - | - | 2.4 | 6.0 | 6.8 | 640 | 2020 | 2500 | 3.52 | 9.24 | 11.09 | 79 | 95 | 98 | - |
| | 24 | - | - | - | - | 24 | 7.10 | - | - | - | - | 2.4 | 7.1 | 7.2 | 660 | 2390 | 2960 | 3.63 | 10.94 | 13.13 | 79 | 95 | 98 | - |
| 2 units | 05 | 05 | - | - | - | 10 | 1.50 | 1.50 | - | - | - | 2.5 | 3.0 | 4.0 | 640 | 800 | 1250 | 3.48 | 3.66 | 5.55 | 80 | 95 | 98 | 5.67 |
| | 07 | 05 | - | - | - | 12 | 2.00 | 1.50 | - | - | - | 2.5 | 3.5 | 4.5 | 640 | 1000 | 1400 | 3.48 | 4.58 | 6.21 | 80 | 95 | 98 | 5.91 |
| | 10 | 05 | - | - | - | 15 | 2.70 | 1.50 | - | - | - | 2.5 | 4.2 | 5.0 | 640 | 1450 | 1800 | 3.48 | 6.64 | 7.99 | 80 | 95 | 98 | 6.06 |
| | 13 | 05 | - | - | - | 18 | 3.70 | 1.50 | - | - | - | 2.5 | 5.2 | 6.2 | 640 | 1500 | 1900 | 3.48 | 6.86 | 8.43 | 80 | 95 | 98 | 6.15 |
| | 16 | 05 | - | - | - | 21 | 4.50 | 1.50 | - | - | - | 2.5 | 6.0 | 7.0 | 640 | 1900 | 2350 | 3.48 | 8.70 | 10.43 | 80 | 95 | 98 | 6.26 |
| | 18 | 05 | - | - | - | 23 | 5.00 | 1.50 | - | - | - | 2.5 | 6.5 | 7.5 | 640 | 2050 | 2400 | 3.48 | 9.38 | 10.65 | 80 | 95 | 98 | 6.23 |
| | 22 | 05 | - | - | - | 27 | 6.00 | 1.50 | - | - | - | 2.5 | 7.5 | 8.0 | 640 | 2550 | 2750 | 3.48 | 11.67 | 12.20 | 80 | 95 | 98 | 6.31 |
| | 24 | 05 | - | - | - | 29 | 6.19 | 1.31 | - | - | - | 2.5 | 7.5 | 8.0 | 640 | 2550 | 2750 | 3.48 | 11.67 | 12.20 | 80 | 95 | 98 | 6.30 |
| | 07 | 07 | - | - | - | 14 | 2.00 | 2.00 | - | - | - | 2.5 | 4.0 | 5.0 | 640 | 1350 | 1770 | 3.48 | 6.18 | 7.85 | 80 | 95 | 98 | 6.12 |
| | 10 | 07 | - | - | - | 17 | 2.70 | 2.00 | - | - | - | 2.5 | 4.7 | 5.7 | 640 | 1530 | 1910 | 3.48 | 7.00 | 8.47 | 80 | 95 | 98 | 6.23 |
| | 13 | 07 | - | - | - | 20 | 3.70 | 2.00 | - | - | - | 2.6 | 5.7 | 6.5 | 660 | 1810 | 2130 | 3.59 | 8.28 | 9.45 | 80 | 95 | 98 | 6.31 |
| | 16 | 07 | - | - | - | 23 | 4.08 | 1.82 | - | - | - | 2.7 | 5.9 | 6.6 | 660 | 1810 | 2220 | 3.59 | 8.28 | 9.85 | 80 | 95 | 98 | 6.27 |
| | 18 | 07 | - | - | - | 25 | 4.50 | 1.80 | - | - | - | 2.9 | 6.3 | 6.9 | 670 | 2040 | 2400 | 3.64 | 9.34 | 10.65 | 80 | 95 | 98 | 6.27 |
| | 22 | 07 | - | - | - | 29 | 4.73 | 1.58 | - | - | - | 2.9 | 6.3 | 6.9 | 670 | 2040 | 2400 | 3.64 | 9.34 | 10.65 | 80 | 95 | 98 | 6.31 |
| | 24 | 07 | - | - | - | 31 | 5.31 | 1.49 | - | - | - | 3.0 | 6.8 | 7.2 | 690 | 2320 | 2570 | 3.75 | 10.62 | 11.40 | 80 | 95 | 98 | 6.35 |
| | 10 | 10 | - | - | - | 20 | 2.70 | 2.70 | - | - | - | 2.5 | 5.4 | 6.3 | 640 | 1530 | 2040 | 3.48 | 7.00 | 9.05 | 80 | 95 | 98 | 6.26 |
| | 13 | 10 | - | - | - | 23 | 3.41 | 2.49 | - | - | - | 2.7 | 5.9 | 6.6 | 660 | 1810 | 2220 | 3.59 | 8.28 | 9.85 | 80 | 95 | 98 | 6.29 |
| | 16 | 10 | - | - | - | 26 | 3.94 | 2.36 | - | - | - | 2.9 | 6.3 | 6.9 | 670 | 2040 | 2400 | 3.64 | 9.34 | 10.65 | 80 | 95 | 98 | 6.16 |
| | 18 | 10 | - | - | - | 28 | 4.09 | 2.21 | - | - | - | 2.9 | 6.3 | 6.9 | 670 | 2040 | 2400 | 3.64 | 9.34 | 10.65 | 80 | 95 | 98 | 6.27 |
| | 22 | 10 | - | - | - | 32 | 4.69 | 2.11 | - | - | - | 3.0 | 6.8 | 7.2 | 690 | 2320 | 2570 | 3.75 | 10.62 | 11.40 | 80 | 95 | 98 | 6.36 |
| | 24 | 10 | - | - | - | 34 | 5.22 | 1.98 | - | - | - | 3.2 | 7.2 | 7.5 | 700 | 2550 | 2750 | 3.80 | 11.67 | 12.20 | 80 | 95 | 98 | 6.41 |
| | 13 | 13 | - | - | - | 26 | 3.15 | 3.15 | - | - | - | 2.9 | 6.3 | 6.9 | 670 | 2040 | 2400 | 3.64 | 9.34 | 10.65 | 80 | 95 | 98 | 6.16 |
| | 16 | 13 | - | - | - | 29 | 3.73 | 3.07 | - | - | - | 3.0 | 6.8 | 7.2 | 690 | 2320 | 2570 | 3.75 | 10.62 | 11.40 | 80 | 95 | 98 | 6.07 |
| | 18 | 13 | - | - | - | 31 | 3.91 | 2.89 | - | - | - | 3.0 | 6.8 | 7.2 | 690 | 2320 | 2570 | 3.75 | 10.62 | 11.40 | 80 | 95 | 98 | 6.33 |
| | 22 | 13 | - | - | - | 35 | 4.45 | 2.75 | - | - | - | 3.2 | 7.2 | 7.5 | 700 | 2550 | 2750 | 3.80 | 11.67 | 12.20 | 80 | 95 | 98 | 6.42 |
| | 24 | 13 | - | - | - | 37 | 4.73 | 2.47 | - | - | - | 3.2 | 7.2 | 7.5 | 700 | 2550 | 2750 | 3.80 | 11.67 | 12.20 | 80 | 95 | 98 | 6.41 |
| | 16 | 16 | - | - | - | 32 | 3.60 | 3.60 | - | - | - | 3.2 | 7.2 | 7.5 | 700 | 2550 | 2750 | 3.80 | 11.67 | 12.20 | 80 | 95 | 98 | 6.42 |
| | 18 | 16 | - | - | - | 34 | 3.79 | 3.41 | - | - | - | 3.2 | 7.2 | 7.5 | 700 | 2550 | 2750 | 3.80 | 11.67 | 12.20 | 80 | 95 | 98 | 6.39 |
| | 22 | 16 | - | - | - | 38 | 4.17 | 3.13 | - | - | - | 3.2 | 7.3 | 7.5 | 700 | 2550 | 2750 | 3.80 | 11.67 | 12.20 | 80 | 95 | 98 | 6.41 |
| | 24 | 16 | - | - | - | 40 | 4.47 | 2.83 | - | - | - | 3.2 | 7.3 | 7.5 | 700 | 2550 | 2750 | 3.80 | 11.67 | 12.20 | 80 | 95 | 98 | 6.40 |
| | 18 | 18 | - | - | - | 36 | 3.60 | 3.60 | - | - | - | 3.2 | 7.2 | 7.5 | 700 | 2550 | 2750 | 3.80 | 11.67 | 12.20 | 80 | 95 | 98 | 6.35 |
| | 22 | 18 | - | - | - | 40 | 4.04 | 3.36 | - | - | - | 3.2 | 7.4 | 7.5 | 700 | 2550 | 2750 | 3.80 | 11.67 | 12.20 | 80 | 95 | 98 | 6.39 |
| | 24 | 18 | - | - | - | 42 | 4.34 | 3.06 | - | - | - | 3.2 | 7.4 | 7.5 | 700 | 2550 | 2750 | 3.80 | 11.67 | 12.20 | 80 | 95 | 98 | 6.39 |

Cooling : Capacity test condition, inside : 27 °C (Db) / 19 °C (Wb), outside : 35 °C (Db) / 24 °C (Wb)

Operation mode : Cooling

Power supply voltage : 230V

| Operation status | Indoor unit | | | | | | Unit capacity (kW) | | | | | Cooling capacity (kW) | | | Power consumption (W) | | | Operating current (A) | | | Power factor (%) | | | SEER |
|------------------|-------------|-----|-----|-----|---|-------|--------------------|------|------|------|---|-----------------------|------|-----|-----------------------|------|------|-----------------------|-------|-------|------------------|------|-----|------|
| | A | B | C | D | E | ΣkBTU | A | B | C | D | E | Min | Rate | Max | Min | Rate | Max | Min | Rate | Max | Min | Rate | Max | Rate |
| 4 units | 16 | 13 | 10 | 10 | - | 49 | 2.61 | 2.15 | 1.57 | 1.57 | - | 4.2 | 7.9 | 9.3 | 950 | 2257 | 2820 | 4.59 | 10.33 | 12.51 | 90 | 95 | 98 | 6.09 |
| | 18 | 13 | 10 | 10 | - | 51 | 2.80 | 2.07 | 1.51 | 1.51 | - | 4.2 | 7.9 | 9.3 | 950 | 2257 | 2820 | 4.59 | 10.33 | 12.51 | 90 | 95 | 98 | 6.06 |
| | 16 | 16 | 10 | 10 | - | 52 | 2.50 | 2.50 | 1.50 | 1.50 | - | 4.2 | 8.0 | 9.3 | 950 | 2286 | 2820 | 4.59 | 10.46 | 12.51 | 90 | 95 | 98 | 6.11 |
| | 18 | 16 | 10 | 10 | - | 54 | 2.68 | 2.42 | 1.45 | 1.45 | - | 4.2 | 8.0 | 9.3 | 950 | 2286 | 2820 | 4.59 | 10.46 | 12.51 | 90 | 95 | 98 | 6.08 |
| | 13 | 13 | 13 | 10 | - | 49 | 2.12 | 2.12 | 2.12 | 1.55 | - | 4.2 | 7.9 | 9.3 | 950 | 2257 | 2820 | 4.59 | 10.33 | 12.51 | 90 | 95 | 98 | 6.09 |
| | 16 | 13 | 13 | 10 | - | 52 | 2.47 | 2.03 | 2.03 | 1.48 | - | 4.2 | 8.0 | 9.3 | 950 | 2286 | 2820 | 4.59 | 10.46 | 12.51 | 90 | 95 | 98 | 6.11 |
| | 18 | 13 | 13 | 10 | - | 54 | 2.65 | 1.96 | 1.96 | 1.43 | - | 4.2 | 8.0 | 9.3 | 950 | 2286 | 2820 | 4.59 | 10.46 | 12.51 | 90 | 95 | 98 | 6.08 |
| | 13 | 13 | 13 | 13 | - | 52 | 2.00 | 2.00 | 2.00 | 2.00 | - | 4.2 | 8.0 | 9.3 | 950 | 2286 | 2820 | 4.59 | 10.46 | 12.51 | 90 | 95 | 98 | 6.11 |
| | 22 | 05* | 05* | 05* | - | 37 | 4.51 | 1.13 | 1.13 | 1.13 | - | 4.0 | 7.9 | 9.0 | 950 | 2200 | 2760 | 4.59 | 10.07 | 12.24 | 90 | 95 | 98 | 6.10 |
| | 24 | 05* | 05* | 05* | - | 39 | 4.84 | 1.02 | 1.02 | 1.02 | - | 4.0 | 7.9 | 9.0 | 950 | 2220 | 2770 | 4.59 | 10.16 | 12.29 | 90 | 95 | 98 | 6.09 |
| | 22 | 07* | 05* | 05* | - | 39 | 4.31 | 1.44 | 1.08 | 1.08 | - | 4.0 | 7.9 | 9.3 | 950 | 2210 | 2760 | 4.59 | 10.11 | 12.24 | 90 | 95 | 98 | 6.10 |
| | 24 | 07* | 05* | 05* | - | 41 | 4.64 | 1.31 | 0.98 | 0.98 | - | 4.0 | 7.9 | 9.3 | 950 | 2230 | 2780 | 4.59 | 10.21 | 12.33 | 90 | 95 | 98 | 6.09 |
| | 22 | 10* | 05* | 05* | - | 42 | 4.05 | 1.82 | 1.01 | 1.01 | - | 4.0 | 7.9 | 9.3 | 950 | 2220 | 2770 | 4.59 | 10.16 | 12.29 | 90 | 95 | 98 | 6.10 |
| | 24 | 10* | 05* | 05* | - | 44 | 4.38 | 1.67 | 0.93 | 0.93 | - | 4.0 | 7.9 | 9.3 | 950 | 2220 | 2770 | 4.59 | 10.16 | 12.29 | 90 | 95 | 98 | 6.09 |
| | 22 | 13* | 05* | 05* | - | 45 | 3.73 | 2.30 | 0.93 | 0.93 | - | 4.0 | 7.9 | 9.3 | 950 | 2220 | 2770 | 4.59 | 10.16 | 12.29 | 90 | 95 | 98 | 6.10 |
| | 24 | 13* | 05* | 05* | - | 47 | 4.06 | 2.12 | 0.86 | 0.86 | - | 4.0 | 7.9 | 9.3 | 950 | 2220 | 2770 | 4.59 | 10.16 | 12.29 | 90 | 95 | 98 | 6.09 |
| | 22 | 07* | 07* | 05* | - | 41 | 4.12 | 1.37 | 1.37 | 1.03 | - | 4.0 | 7.9 | 9.3 | 950 | 2220 | 2770 | 4.59 | 10.16 | 12.29 | 90 | 95 | 98 | 6.10 |
| | 24 | 07* | 07* | 05* | - | 43 | 4.45 | 1.25 | 1.25 | 0.94 | - | 4.0 | 7.9 | 9.3 | 950 | 2220 | 2770 | 4.59 | 10.16 | 12.29 | 90 | 95 | 98 | 6.09 |
| | 22 | 10* | 07* | 05* | - | 44 | 3.89 | 1.75 | 1.30 | 0.97 | - | 4.0 | 7.9 | 9.3 | 950 | 2220 | 2770 | 4.59 | 10.16 | 12.29 | 90 | 95 | 98 | 6.10 |
| | 24 | 10* | 07* | 05* | - | 46 | 4.22 | 1.60 | 1.19 | 0.89 | - | 4.0 | 7.9 | 9.3 | 950 | 2220 | 2770 | 4.59 | 10.16 | 12.29 | 90 | 95 | 98 | 6.09 |
| | 22 | 13* | 07* | 05* | - | 47 | 3.59 | 2.21 | 1.20 | 0.90 | - | 4.0 | 7.9 | 9.3 | 950 | 2220 | 2770 | 4.59 | 10.16 | 12.29 | 90 | 95 | 98 | 6.10 |
| | 24 | 13* | 07* | 05* | - | 49 | 3.92 | 2.04 | 1.10 | 0.83 | - | 4.0 | 7.9 | 9.3 | 950 | 2220 | 2770 | 4.59 | 10.16 | 12.29 | 90 | 95 | 98 | 6.09 |
| | 22 | 10* | 10* | 05* | - | 47 | 3.67 | 1.65 | 1.65 | 0.92 | - | 4.0 | 7.9 | 9.3 | 950 | 2220 | 2770 | 4.59 | 10.16 | 12.29 | 90 | 95 | 98 | 6.10 |
| | 24 | 10* | 10* | 05* | - | 49 | 4.01 | 1.52 | 1.52 | 0.85 | - | 4.0 | 7.9 | 9.3 | 950 | 2220 | 2770 | 4.59 | 10.16 | 12.29 | 90 | 95 | 98 | 6.09 |
| | 22 | 13* | 10* | 05* | - | 50 | 3.41 | 2.10 | 1.53 | 0.85 | - | 4.0 | 7.9 | 9.3 | 950 | 2220 | 2770 | 4.59 | 10.16 | 12.29 | 90 | 95 | 98 | 6.10 |
| | 24 | 13* | 10* | 05* | - | 52 | 3.74 | 1.95 | 1.42 | 0.79 | - | 4.0 | 7.9 | 9.3 | 950 | 2220 | 2770 | 4.59 | 10.16 | 12.29 | 90 | 95 | 98 | 6.09 |
| | 22 | 07* | 07* | 07* | - | 43 | 3.95 | 1.32 | 1.32 | 1.32 | - | 4.2 | 7.9 | 9.3 | 950 | 2257 | 2820 | 4.59 | 10.33 | 12.51 | 90 | 95 | 98 | 6.09 |
| | 24 | 07* | 07* | 07* | - | 45 | 4.28 | 1.21 | 1.21 | 1.21 | - | 4.2 | 7.9 | 9.3 | 950 | 2257 | 2820 | 4.59 | 10.33 | 12.51 | 90 | 95 | 98 | 6.08 |
| | 22 | 10* | 07* | 07* | - | 46 | 3.73 | 1.68 | 1.24 | 1.24 | - | 4.2 | 7.9 | 9.3 | 950 | 2257 | 2820 | 4.59 | 10.33 | 12.51 | 90 | 95 | 98 | 6.09 |
| | 24 | 10* | 07* | 07* | - | 48 | 4.06 | 1.55 | 1.14 | 1.14 | - | 4.2 | 7.9 | 9.3 | 950 | 2257 | 2820 | 4.59 | 10.33 | 12.51 | 90 | 95 | 98 | 6.08 |
| | 22 | 13* | 07* | 07* | - | 49 | 3.46 | 2.13 | 1.15 | 1.15 | - | 4.2 | 7.9 | 9.3 | 950 | 2257 | 2820 | 4.59 | 10.33 | 12.51 | 90 | 95 | 98 | 6.09 |
| | 24 | 13* | 07* | 07* | - | 51 | 3.79 | 1.98 | 1.07 | 1.07 | - | 4.2 | 7.9 | 9.3 | 950 | 2257 | 2820 | 4.59 | 10.33 | 12.51 | 90 | 95 | 98 | 6.08 |
| | 22 | 10* | 10* | 07* | - | 49 | 3.54 | 1.59 | 1.59 | 1.18 | - | 4.2 | 7.9 | 9.3 | 950 | 2257 | 2820 | 4.59 | 10.33 | 12.51 | 90 | 95 | 98 | 6.09 |
| | 24 | 10* | 10* | 07* | - | 51 | 3.87 | 1.47 | 1.47 | 1.09 | - | 4.2 | 7.9 | 9.3 | 950 | 2257 | 2820 | 4.59 | 10.33 | 12.51 | 90 | 95 | 98 | 6.08 |
| | 22 | 13* | 10* | 07* | - | 52 | 3.33 | 2.06 | 1.50 | 1.11 | - | 4.2 | 8.0 | 9.3 | 950 | 2286 | 2820 | 4.59 | 10.46 | 12.51 | 90 | 95 | 98 | 6.10 |
| | 24 | 13* | 10* | 07* | - | 54 | 3.66 | 1.91 | 1.39 | 1.03 | - | 4.2 | 8.0 | 9.3 | 950 | 2286 | 2820 | 4.59 | 10.46 | 12.51 | 90 | 95 | 98 | 6.10 |
| | 22 | 10* | 10* | 10* | - | 52 | 3.40 | 1.53 | 1.53 | 1.53 | - | 4.2 | 8.0 | 9.3 | 950 | 2286 | 2820 | 4.59 | 10.46 | 12.51 | 90 | 95 | 98 | 6.10 |
| | 24 | 10* | 10* | 10* | - | 54 | 3.74 | 1.42 | 1.42 | 1.42 | - | 4.2 | 8.0 | 9.3 | 950 | 2286 | 2820 | 4.59 | 10.46 | 12.51 | 90 | 95 | 98 | 6.10 |

* Applicable FCU are "PKV" series and "BKV" series

Cooling : Capacity test condition, inside : 27 °C (Db) / 19 °C (Wb), outside : 35 °C (Db) / 24 °C (Wb)

Operation mode : Cooling

Power supply voltage : 240V

| Operation status | Indoor unit | | | | | | Unit capacity (kW) | | | | | Cooling capacity (kW) | | | Power consumption (W) | | | Operating current (A) | | | Power factor (%) | | | SEER | | |
|------------------|-------------|----|---|---|----|-------|--------------------|------|---|---|-----|-----------------------|------|-----|-----------------------|------|------|-----------------------|-------|-------|------------------|------|------|------|------|-----|
| | A | B | C | D | E | ΣkBTU | A | B | C | D | E | Min | Rate | Max | Min | Rate | Max | Min | Rate | Max | Min | Rate | Max | Min | Rate | Max |
| 1 unit | 05 | - | - | - | - | 5 | 1.50 | - | - | - | - | 1.4 | 1.5 | 2.0 | 630 | 640 | 650 | 3.45 | 3.46 | 3.19 | 76 | 77 | 85 | - | - | |
| | 07 | - | - | - | - | 7 | 2.00 | - | - | - | - | 1.4 | 2.0 | 2.5 | 640 | 650 | 700 | 3.51 | 3.52 | 3.43 | 76 | 77 | 85 | - | - | |
| | 10 | - | - | - | - | 10 | 2.70 | - | - | - | - | 1.4 | 2.7 | 3.2 | 640 | 750 | 950 | 3.51 | 4.06 | 4.26 | 76 | 77 | 93 | - | - | |
| | 13 | - | - | - | - | 13 | 3.70 | - | - | - | - | 1.4 | 3.7 | 4.4 | 640 | 1200 | 1520 | 3.38 | 5.68 | 6.60 | 79 | 88 | 96 | - | - | |
| | 16 | - | - | - | - | 16 | 4.50 | - | - | - | - | 1.4 | 4.5 | 5.0 | 640 | 1650 | 2000 | 3.38 | 7.31 | 8.50 | 79 | 94 | 98 | - | - | |
| | 18 | - | - | - | - | 18 | 5.00 | - | - | - | - | 1.4 | 5.0 | 5.2 | 640 | 1950 | 2100 | 3.38 | 8.55 | 8.93 | 79 | 95 | 98 | - | - | |
| | 22 | - | - | - | - | 22 | 6.00 | - | - | - | - | 2.4 | 6.0 | 6.8 | 640 | 2020 | 2500 | 3.38 | 8.86 | 10.63 | 79 | 95 | 98 | - | - | |
| | 24 | - | - | - | - | 24 | 7.10 | - | - | - | - | 2.4 | 7.1 | 7.2 | 660 | 2390 | 2960 | 3.48 | 10.48 | 12.59 | 79 | 95 | 98 | - | - | |
| 2 units | 05 | 05 | - | - | - | 10 | 1.50 | 1.50 | - | - | - | 2.5 | 3.0 | 4.0 | 640 | 800 | 1250 | 3.33 | 3.51 | 5.31 | 80 | 95 | 98 | 5.67 | - | |
| | 07 | 05 | - | - | - | 12 | 2.00 | 1.50 | - | - | - | 2.5 | 3.5 | 4.5 | 640 | 1000 | 1400 | 3.33 | 4.39 | 5.95 | 80 | 95 | 98 | 5.91 | - | |
| | 10 | 05 | - | - | - | 15 | 2.70 | 1.50 | - | - | - | 2.5 | 4.2 | 5.0 | 640 | 1450 | 1800 | 3.33 | 6.36 | 7.65 | 80 | 95 | 98 | 6.06 | - | |
| | 13 | 05 | - | - | - | 18 | 3.70 | 1.50 | - | - | - | 2.5 | 5.2 | 6.2 | 640 | 1500 | 1900 | 3.33 | 6.58 | 8.08 | 80 | 95 | 98 | 6.15 | - | |
| | 16 | 05 | - | - | - | 21 | 4.50 | 1.50 | - | - | - | 2.5 | 6.0 | 7.0 | 640 | 1900 | 2350 | 3.33 | 8.33 | 9.99 | 80 | 95 | 98 | 6.26 | - | |
| | 18 | 05 | - | - | - | 23 | 5.00 | 1.50 | - | - | - | 2.5 | 6.5 | 7.5 | 640 | 2050 | 2400 | 3.33 | 8.99 | 10.20 | 80 | 95 | 98 | 6.23 | - | |
| | 22 | 05 | - | - | - | 27 | 6.00 | 1.50 | - | - | - | 2.5 | 7.5 | 8.0 | 640 | 2550 | 2750 | 3.33 | 11.18 | 11.69 | 80 | 95 | 98 | 6.31 | - | |
| | 24 | 05 | - | - | - | 29 | 6.19 | 1.31 | - | - | - | 2.5 | 7.5 | 8.0 | 640 | 2550 | 2750 | 3.33 | 11.18 | 11.69 | 80 | 95 | 98 | 6.30 | - | |
| | 07 | 07 | - | - | - | 14 | 2.00 | 2.00 | - | - | - | 2.5 | 4.0 | 5.0 | 640 | 1350 | 1770 | 3.33 | 5.92 | 7.53 | 80 | 95 | 98 | 6.12 | - | |
| | 10 | 07 | - | - | - | 17 | 2.70 | 2.00 | - | - | - | 2.5 | 4.7 | 5.7 | 640 | 1530 | 1910 | 3.33 | 6.71 | 8.12 | 80 | 95 | 98 | 6.23 | - | |
| | 13 | 07 | - | - | - | 20 | 3.70 | 2.00 | - | - | - | 2.6 | 5.7 | 6.5 | 660 | 1810 | 2130 | 3.44 | 7.94 | 9.06 | 80 | 95 | 98 | 6.31 | - | |
| | 16 | 07 | - | - | - | 23 | 4.08 | 1.82 | - | - | - | 2.7 | 5.9 | 6.6 | 660 | 1810 | 2220 | 3.44 | 7.94 | 9.44 | 80 | 95 | 98 | 6.27 | - | |
| | 18 | 07 | - | - | - | 25 | 4.50 | 1.80 | - | - | - | 2.9 | 6.3 | 6.9 | 670 | 2040 | 2400 | 3.49 | 8.95 | 10.20 | 80 | 95 | 98 | 6.27 | - | |
| | 22 | 07 | - | - | - | 29 | 4.73 | 1.58 | - | - | - | 2.9 | 6.3 | 6.9 | 670 | 2040 | 2400 | 3.49 | 8.95 | 10.20 | 80 | 95 | 98 | 6.31 | - | |
| | 24 | 07 | - | - | - | 31 | 5.31 | 1.49 | - | - | - | 3.0 | 6.8 | 7.2 | 690 | 2320 | 2570 | 3.59 | 10.18 | 10.93 | 80 | 95 | 98 | 6.35 | - | |
| | 10 | 10 | - | - | - | 20 | 2.70 | 2.70 | - | - | - | 2.5 | 5.4 | 6.3 | 640 | 1530 | 2040 | 3.33 | 6.71 | 8.67 | 80 | 95 | 98 | 6.26 | - | |
| | 13 | 10 | - | - | - | 23 | 3.41 | 2.49 | - | - | - | 2.7 | 5.9 | 6.6 | 660 | 1810 | 2220 | 3.44 | 7.94 | 9.44 | 80 | 95 | 98 | 6.29 | - | |
| | 16 | 10 | - | - | - | 26 | 3.94 | 2.36 | - | - | - | 2.9 | 6.3 | 6.9 | 670 | 2040 | 2400 | 3.49 | 8.95 | 10.20 | 80 | 95 | 98 | 6.16 | - | |
| | 18 | 10 | - | - | - | 28 | 4.09 | 2.21 | - | - | - | 2.9 | 6.3 | 6.9 | 670 | 2040 | 2400 | 3.49 | 8.95 | 10.20 | 80 | 95 | 98 | 6.27 | - | |
| | 22 | 10 | - | - | - | 32 | 4.69 | 2.11 | - | - | - | 3.0 | 6.8 | 7.2 | 690 | 2320 | 2570 | 3.59 | 10.18 | 10.93 | 80 | 95 | 98 | 6.36 | - | |
| | 24 | 10 | - | - | - | 34 | 5.22 | 1.98 | - | - | - | 3.2 | 7.2 | 7.5 | 700 | 2550 | 2750 | 3.65 | 11.18 | 11.69 | 80 | 95 | 98 | 6.41 | - | |
| | 13 | 13 | - | - | - | 26 | 3.15 | 3.15 | - | - | - | 2.9 | 6.3 | 6.9 | 670 | 2040 | 2400 | 3.49 | 8.95 | 10.20 | 80 | 95 | 98 | 6.16 | - | |
| | 16 | 13 | - | - | - | 29 | 3.73 | 3.07 | - | - | - | 3.0 | 6.8 | 7.2 | 690 | 2320 | 2570 | 3.59 | 10.18 | 10.93 | 80 | 95 | 98 | 6.07 | - | |
| | 18 | 13 | - | - | - | 31 | 3.91 | 2.89 | - | - | - | 3.0 | 6.8 | 7.2 | 690 | 2320 | 2570 | 3.59 | 10.18 | 10.93 | 80 | 95 | 98 | 6.33 | - | |
| | 22 | 13 | - | - | - | 35 | 4.45 | 2.75 | - | - | - | 3.2 | 7.2 | 7.5 | 700 | 2550 | 2750 | 3.65 | 11.18 | 11.69 | 80 | 95 | 98 | 6.42 | - | |
| | 24 | 13 | - | - | - | 37 | 4.73 | 2.47 | - | - | - | 3.2 | 7.2 | 7.5 | 700 | 2550 | 2750 | 3.65 | 11.18 | 11.69 | 80 | 95 | 98 | 6.41 | - | |
| | 16 | 16 | - | - | - | 32 | 3.60 | 3.60 | - | - | - | 3.2 | 7.2 | 7.5 | 700 | 2550 | 2750 | 3.65 | 11.18 | 11.69 | 80 | 95 | 98 | 6.42 | - | |
| | 18 | 16 | - | - | - | 34 | 3.79 | 3.41 | - | - | - | 3.2 | 7.2 | 7.5 | 700 | 2550 | 2750 | 3.65 | 11.18 | 11.69 | 80 | 95 | 98 | 6.39 | - | |
| | 22 | 16 | - | - | - | 38 | 4.17 | 3.13 | - | - | - | 3.2 | 7.3 | 7.5 | 700 | 2550 | 2750 | 3.65 | 11.18 | 11.69 | 80 | 95 | 98 | 6.41 | - | |
| | 24 | 16 | - | - | - | 40 | 4.47 | 2.83 | - | - | - | 3.2 | 7.3 | 7.5 | 700 | 2550 | 2750 | 3.65 | 11.18 | 11.69 | 80 | 95 | 98 | 6.40 | - | |
| | 18 | 18 | - | - | - | 36 | 3.60 | 3.60 | - | - | - | 3.2 | 7.2 | 7.5 | 700 | 2550 | 2750 | 3.65 | 11.18 | 11.69 | 80 | 95 | 98 | 6.35 | - | |
| | 22 | 18 | - | - | - | 40 | 4.04 | 3.36 | - | - | - | 3.2 | 7.4 | 7.5 | 700 | 2550 | 2750 | 3.65 | 11.18 | 11.69 | 80 | 95 | 98 | 6.39 | - | |
| 24 | 18 | - | - | - | 42 | 4.34 | 3.06 | - | - | - | 3.2 | 7.4 | 7.5 | 700 | 2550 | 2750 | 3.65 | 11.18 | 11.69 | 80 | 95 | 98 | 6.39 | - | | |

Cooling : Capacity test condition, inside : 27 °C (Db) / 19 °C (Wb), outside : 35 °C (Db) / 24 °C (Wb)

Operation mode : Cooling

Power supply voltage : 240V

| Operation status | Indoor unit | | | | | Unit capacity (kW) | | | | | Cooling capacity (kW) | | | Power consumption (W) | | | Operating current (A) | | | Power factor (%) | | | SEER | |
|------------------|-------------|-----|-----|-----|---|--------------------|------|------|------|------|-----------------------|-----|------|-----------------------|-----|------|-----------------------|------|-------|------------------|-----|------|------|------|
| | A | B | C | D | E | ΣkBTU | A | B | C | D | E | Min | Rate | Max | Min | Rate | Max | Min | Rate | Max | Min | Rate | Max | Rate |
| 4 units | 16 | 13 | 10 | 10 | - | 49 | 2.61 | 2.15 | 1.57 | 1.57 | - | 4.2 | 7.9 | 9.3 | 950 | 2257 | 2820 | 4.40 | 9.90 | 11.99 | 90 | 95 | 98 | 6.09 |
| | 18 | 13 | 10 | 10 | - | 51 | 2.80 | 2.07 | 1.51 | 1.51 | - | 4.2 | 7.9 | 9.3 | 950 | 2257 | 2820 | 4.40 | 9.90 | 11.99 | 90 | 95 | 98 | 6.06 |
| | 16 | 16 | 10 | 10 | - | 52 | 2.50 | 2.50 | 1.50 | 1.50 | - | 4.2 | 8.0 | 9.3 | 950 | 2286 | 2820 | 4.40 | 10.03 | 11.99 | 90 | 95 | 98 | 6.11 |
| | 18 | 16 | 10 | 10 | - | 54 | 2.68 | 2.42 | 1.45 | 1.45 | - | 4.2 | 8.0 | 9.3 | 950 | 2286 | 2820 | 4.40 | 10.03 | 11.99 | 90 | 95 | 98 | 6.08 |
| | 13 | 13 | 13 | 10 | - | 49 | 2.12 | 2.12 | 2.12 | 1.55 | - | 4.2 | 7.9 | 9.3 | 950 | 2257 | 2820 | 4.40 | 9.90 | 11.99 | 90 | 95 | 98 | 6.09 |
| | 16 | 13 | 13 | 10 | - | 52 | 2.47 | 2.03 | 2.03 | 1.48 | - | 4.2 | 8.0 | 9.3 | 950 | 2286 | 2820 | 4.40 | 10.03 | 11.99 | 90 | 95 | 98 | 6.11 |
| | 18 | 13 | 13 | 10 | - | 54 | 2.65 | 1.96 | 1.96 | 1.43 | - | 4.2 | 8.0 | 9.3 | 950 | 2286 | 2820 | 4.40 | 10.03 | 11.99 | 90 | 95 | 98 | 6.08 |
| | 13 | 13 | 13 | 13 | - | 52 | 2.00 | 2.00 | 2.00 | 2.00 | - | 4.2 | 8.0 | 9.3 | 950 | 2286 | 2820 | 4.40 | 10.03 | 11.99 | 90 | 95 | 98 | 6.11 |
| | 22 | 05* | 05* | 05* | - | 37 | 4.51 | 1.13 | 1.13 | 1.13 | - | 4.0 | 7.9 | 9.0 | 950 | 2200 | 2760 | 4.40 | 9.65 | 11.73 | 90 | 95 | 98 | 6.10 |
| | 24 | 05* | 05* | 05* | - | 39 | 4.84 | 1.02 | 1.02 | 1.02 | - | 4.0 | 7.9 | 9.0 | 950 | 2220 | 2770 | 4.40 | 9.74 | 11.78 | 90 | 95 | 98 | 6.09 |
| | 22 | 07* | 05* | 05* | - | 39 | 4.31 | 1.44 | 1.08 | 1.08 | - | 4.0 | 7.9 | 9.3 | 950 | 2210 | 2760 | 4.40 | 9.69 | 11.73 | 90 | 95 | 98 | 6.10 |
| | 24 | 07* | 05* | 05* | - | 41 | 4.64 | 1.31 | 0.98 | 0.98 | - | 4.0 | 7.9 | 9.3 | 950 | 2230 | 2780 | 4.40 | 9.78 | 11.82 | 90 | 95 | 98 | 6.09 |
| | 22 | 10* | 05* | 05* | - | 42 | 4.05 | 1.82 | 1.01 | 1.01 | - | 4.0 | 7.9 | 9.3 | 950 | 2220 | 2770 | 4.40 | 9.74 | 11.78 | 90 | 95 | 98 | 6.10 |
| | 24 | 10* | 05* | 05* | - | 44 | 4.38 | 1.67 | 0.93 | 0.93 | - | 4.0 | 7.9 | 9.3 | 950 | 2220 | 2770 | 4.40 | 9.74 | 11.78 | 90 | 95 | 98 | 6.09 |
| | 22 | 13* | 05* | 05* | - | 45 | 3.73 | 2.30 | 0.93 | 0.93 | - | 4.0 | 7.9 | 9.3 | 950 | 2220 | 2770 | 4.40 | 9.74 | 11.78 | 90 | 95 | 98 | 6.10 |
| | 24 | 13* | 05* | 05* | - | 47 | 4.06 | 2.12 | 0.86 | 0.86 | - | 4.0 | 7.9 | 9.3 | 950 | 2220 | 2770 | 4.40 | 9.74 | 11.78 | 90 | 95 | 98 | 6.09 |
| | 22 | 07* | 07* | 05* | - | 41 | 4.12 | 1.37 | 1.37 | 1.03 | - | 4.0 | 7.9 | 9.3 | 950 | 2220 | 2770 | 4.40 | 9.74 | 11.78 | 90 | 95 | 98 | 6.10 |
| | 24 | 07* | 07* | 05* | - | 43 | 4.45 | 1.25 | 1.25 | 0.94 | - | 4.0 | 7.9 | 9.3 | 950 | 2220 | 2770 | 4.40 | 9.74 | 11.78 | 90 | 95 | 98 | 6.09 |
| | 22 | 10* | 07* | 05* | - | 44 | 3.89 | 1.75 | 1.30 | 0.97 | - | 4.0 | 7.9 | 9.3 | 950 | 2220 | 2770 | 4.40 | 9.74 | 11.78 | 90 | 95 | 98 | 6.10 |
| | 24 | 10* | 07* | 05* | - | 46 | 4.22 | 1.60 | 1.19 | 0.89 | - | 4.0 | 7.9 | 9.3 | 950 | 2220 | 2770 | 4.40 | 9.74 | 11.78 | 90 | 95 | 98 | 6.09 |
| | 22 | 13* | 07* | 05* | - | 47 | 3.59 | 2.21 | 1.20 | 0.90 | - | 4.0 | 7.9 | 9.3 | 950 | 2220 | 2770 | 4.40 | 9.74 | 11.78 | 90 | 95 | 98 | 6.10 |
| | 24 | 13* | 07* | 05* | - | 49 | 3.92 | 2.04 | 1.10 | 0.83 | - | 4.0 | 7.9 | 9.3 | 950 | 2220 | 2770 | 4.40 | 9.74 | 11.78 | 90 | 95 | 98 | 6.09 |
| | 22 | 10* | 10* | 05* | - | 47 | 3.67 | 1.65 | 1.65 | 0.92 | - | 4.0 | 7.9 | 9.3 | 950 | 2220 | 2770 | 4.40 | 9.74 | 11.78 | 90 | 95 | 98 | 6.10 |
| | 24 | 10* | 10* | 05* | - | 49 | 4.01 | 1.52 | 1.52 | 0.85 | - | 4.0 | 7.9 | 9.3 | 950 | 2220 | 2770 | 4.40 | 9.74 | 11.78 | 90 | 95 | 98 | 6.09 |
| | 22 | 13* | 10* | 05* | - | 50 | 3.41 | 2.10 | 1.53 | 0.85 | - | 4.0 | 7.9 | 9.3 | 950 | 2220 | 2770 | 4.40 | 9.74 | 11.78 | 90 | 95 | 98 | 6.10 |
| | 24 | 13* | 10* | 05* | - | 52 | 3.74 | 1.95 | 1.42 | 0.79 | - | 4.0 | 7.9 | 9.3 | 950 | 2220 | 2770 | 4.40 | 9.74 | 11.78 | 90 | 95 | 98 | 6.09 |
| | 22 | 07* | 07* | 07* | - | 43 | 3.95 | 1.32 | 1.32 | 1.32 | - | 4.2 | 7.9 | 9.3 | 950 | 2257 | 2820 | 4.40 | 9.90 | 11.99 | 90 | 95 | 98 | 6.09 |
| | 24 | 07* | 07* | 07* | - | 45 | 4.28 | 1.21 | 1.21 | 1.21 | - | 4.2 | 7.9 | 9.3 | 950 | 2257 | 2820 | 4.40 | 9.90 | 11.99 | 90 | 95 | 98 | 6.08 |
| | 22 | 10* | 07* | 07* | - | 46 | 3.73 | 1.68 | 1.24 | 1.24 | - | 4.2 | 7.9 | 9.3 | 950 | 2257 | 2820 | 4.40 | 9.90 | 11.99 | 90 | 95 | 98 | 6.09 |
| | 24 | 10* | 07* | 07* | - | 48 | 4.06 | 1.55 | 1.14 | 1.14 | - | 4.2 | 7.9 | 9.3 | 950 | 2257 | 2820 | 4.40 | 9.90 | 11.99 | 90 | 95 | 98 | 6.08 |
| | 22 | 13* | 07* | 07* | - | 49 | 3.46 | 2.13 | 1.15 | 1.15 | - | 4.2 | 7.9 | 9.3 | 950 | 2257 | 2820 | 4.40 | 9.90 | 11.99 | 90 | 95 | 98 | 6.09 |
| | 24 | 13* | 07* | 07* | - | 51 | 3.79 | 1.98 | 1.07 | 1.07 | - | 4.2 | 7.9 | 9.3 | 950 | 2257 | 2820 | 4.40 | 9.90 | 11.99 | 90 | 95 | 98 | 6.08 |
| | 22 | 10* | 10* | 07* | - | 49 | 3.54 | 1.59 | 1.59 | 1.18 | - | 4.2 | 7.9 | 9.3 | 950 | 2257 | 2820 | 4.40 | 9.90 | 11.99 | 90 | 95 | 98 | 6.09 |
| | 24 | 10* | 10* | 07* | - | 51 | 3.87 | 1.47 | 1.47 | 1.09 | - | 4.2 | 7.9 | 9.3 | 950 | 2257 | 2820 | 4.40 | 9.90 | 11.99 | 90 | 95 | 98 | 6.08 |
| | 22 | 13* | 10* | 07* | - | 52 | 3.33 | 2.06 | 1.50 | 1.11 | - | 4.2 | 8.0 | 9.3 | 950 | 2286 | 2820 | 4.40 | 10.03 | 11.99 | 90 | 95 | 98 | 6.10 |
| | 24 | 13* | 10* | 07* | - | 54 | 3.66 | 1.91 | 1.39 | 1.03 | - | 4.2 | 8.0 | 9.3 | 950 | 2286 | 2820 | 4.40 | 10.03 | 11.99 | 90 | 95 | 98 | 6.10 |
| | 22 | 10* | 10* | 10* | - | 52 | 3.40 | 1.53 | 1.53 | 1.53 | - | 4.2 | 8.0 | 9.3 | 950 | 2286 | 2820 | 4.40 | 10.03 | 11.99 | 90 | 95 | 98 | 6.10 |
| | 24 | 10* | 10* | 10* | - | 54 | 3.74 | 1.42 | 1.42 | 1.42 | - | 4.2 | 8.0 | 9.3 | 950 | 2286 | 2820 | 4.40 | 10.03 | 11.99 | 90 | 95 | 98 | 6.10 |

* Applicable FCU are "PKV" series and "BKV" series

Cooling : Capacity test condition, inside : 27 °C (Db) / 19 °C (Wb), outside : 35 °C (Db) / 24 °C (Wb)

Operation mode : Heating

Power supply voltage : 220V

| Operation status | Indoor unit | | | | | Unit capacity (kW) | | | | | Heating capacity (kW) | | | Power consumption (W) | | | Operating current (A) | | | Power factor (%) | | | SCOP | |
|------------------|-------------|----|---|---|----|--------------------|------|------|---|---|-----------------------|-----|------|-----------------------|------|------|-----------------------|-------|-------|------------------|-----|------|------|------|
| | A | B | C | D | E | ΣkBTU | A | B | C | D | E | Min | Rate | Max | Min | Rate | Max | Min | Rate | Max | Min | Rate | | Max |
| 1 unit | 05 | - | - | - | - | 5 | 2.00 | - | - | - | - | 0.8 | 2.0 | 2.7 | 300 | 600 | 900 | 1.87 | 3.13 | 4.17 | 73 | 87 | 98 | - |
| | 07 | - | - | - | - | 7 | 2.70 | - | - | - | - | 0.8 | 2.7 | 4.8 | 300 | 900 | 1980 | 1.87 | 4.70 | 9.18 | 73 | 87 | 98 | - |
| | 10 | - | - | - | - | 10 | 4.00 | - | - | - | - | 0.8 | 4.0 | 5.2 | 300 | 1450 | 1980 | 1.87 | 6.94 | 9.18 | 73 | 95 | 98 | - |
| | 13 | - | - | - | - | 13 | 5.00 | - | - | - | - | 0.8 | 5.0 | 6.5 | 310 | 2050 | 2750 | 1.93 | 9.81 | 12.76 | 73 | 95 | 98 | - |
| | 16 | - | - | - | - | 16 | 5.50 | - | - | - | - | 0.8 | 5.5 | 6.9 | 310 | 2400 | 3000 | 1.93 | 11.48 | 13.91 | 73 | 95 | 98 | - |
| | 18 | - | - | - | - | 18 | 6.00 | - | - | - | - | 0.8 | 6.0 | 7.1 | 310 | 2630 | 3200 | 1.93 | 12.58 | 14.84 | 73 | 95 | 98 | - |
| | 22 | - | - | - | - | 22 | 7.00 | - | - | - | - | 1.8 | 7.0 | 8.2 | 330 | 2620 | 3200 | 2.05 | 12.54 | 14.84 | 73 | 95 | 98 | - |
| | 24 | - | - | - | - | 24 | 8.10 | - | - | - | - | 1.8 | 8.1 | 8.6 | 330 | 3080 | 3300 | 2.05 | 14.74 | 15.31 | 73 | 95 | 98 | - |
| 2 units | 05 | 05 | - | - | - | 10 | 2.00 | 2.00 | - | - | - | 1.5 | 4.0 | 5.0 | 320 | 1300 | 1500 | 1.94 | 6.22 | 6.96 | 75 | 95 | 98 | 4.04 |
| | 07 | 05 | - | - | - | 12 | 2.70 | 2.00 | - | - | - | 1.5 | 4.7 | 6.0 | 320 | 1500 | 1700 | 1.94 | 7.18 | 7.88 | 75 | 95 | 98 | 4.13 |
| | 10 | 05 | - | - | - | 15 | 4.00 | 2.00 | - | - | - | 1.5 | 6.0 | 7.4 | 320 | 1800 | 2600 | 1.94 | 8.61 | 12.06 | 75 | 95 | 98 | 4.21 |
| | 13 | 05 | - | - | - | 18 | 5.00 | 2.00 | - | - | - | 1.5 | 7.0 | 8.9 | 320 | 2150 | 2700 | 1.94 | 10.29 | 12.52 | 75 | 95 | 98 | 4.21 |
| | 16 | 05 | - | - | - | 21 | 5.50 | 2.00 | - | - | - | 1.5 | 7.5 | 10.1 | 320 | 2320 | 2800 | 1.94 | 11.10 | 12.99 | 75 | 95 | 98 | 4.30 |
| | 18 | 05 | - | - | - | 23 | 6.00 | 2.00 | - | - | - | 1.5 | 8.0 | 10.1 | 320 | 2480 | 3100 | 1.94 | 11.87 | 14.38 | 75 | 95 | 98 | 4.30 |
| | 22 | 05 | - | - | - | 27 | 6.46 | 1.84 | - | - | - | 1.5 | 8.3 | 10.2 | 320 | 2700 | 3230 | 1.94 | 12.92 | 14.98 | 75 | 95 | 98 | 4.20 |
| | 24 | 05 | - | - | - | 29 | 6.66 | 1.64 | - | - | - | 1.5 | 8.3 | 10.2 | 320 | 2700 | 3230 | 1.94 | 12.92 | 14.98 | 75 | 95 | 98 | 4.20 |
| | 07 | 07 | - | - | - | 14 | 2.70 | 2.70 | - | - | - | 1.5 | 5.4 | 7.4 | 320 | 1800 | 2500 | 1.94 | 8.61 | 11.60 | 75 | 95 | 98 | 4.21 |
| | 10 | 07 | - | - | - | 17 | 4.00 | 2.70 | - | - | - | 1.5 | 6.7 | 8.9 | 320 | 2080 | 3200 | 1.94 | 9.95 | 14.84 | 75 | 95 | 98 | 4.21 |
| | 13 | 07 | - | - | - | 20 | 4.81 | 2.59 | - | - | - | 1.5 | 7.4 | 10.1 | 320 | 2320 | 3210 | 1.94 | 11.10 | 14.89 | 75 | 95 | 98 | 4.30 |
| | 16 | 07 | - | - | - | 23 | 5.10 | 2.50 | - | - | - | 1.5 | 7.6 | 10.1 | 320 | 2480 | 3230 | 1.94 | 11.87 | 14.98 | 75 | 95 | 98 | 4.30 |
| | 18 | 07 | - | - | - | 25 | 5.45 | 2.45 | - | - | - | 1.5 | 7.9 | 10.1 | 320 | 2480 | 3230 | 1.94 | 11.87 | 14.98 | 75 | 95 | 98 | 4.30 |
| | 22 | 07 | - | - | - | 29 | 5.70 | 2.20 | - | - | - | 1.5 | 7.9 | 10.1 | 320 | 2480 | 3230 | 1.94 | 11.87 | 14.98 | 75 | 95 | 98 | 4.20 |
| | 24 | 07 | - | - | - | 31 | 6.23 | 2.08 | - | - | - | 1.5 | 8.3 | 10.2 | 320 | 2700 | 3240 | 1.94 | 12.92 | 15.03 | 75 | 95 | 98 | 4.20 |
| | 10 | 10 | - | - | - | 20 | 3.60 | 3.60 | - | - | - | 1.5 | 7.2 | 10.0 | 320 | 2100 | 3200 | 1.94 | 10.05 | 14.84 | 75 | 95 | 98 | 4.30 |
| | 13 | 10 | - | - | - | 23 | 4.22 | 3.38 | - | - | - | 1.5 | 7.6 | 10.1 | 320 | 2320 | 3210 | 1.94 | 11.10 | 14.89 | 75 | 95 | 98 | 4.30 |
| | 16 | 10 | - | - | - | 26 | 4.57 | 3.33 | - | - | - | 1.5 | 7.9 | 10.1 | 320 | 2480 | 3230 | 1.94 | 11.87 | 14.98 | 75 | 95 | 98 | 4.30 |
| | 18 | 10 | - | - | - | 28 | 4.74 | 3.16 | - | - | - | 1.5 | 7.9 | 10.1 | 320 | 2480 | 3230 | 1.94 | 11.87 | 14.98 | 75 | 95 | 98 | 4.30 |
| | 22 | 10 | - | - | - | 32 | 5.28 | 3.02 | - | - | - | 1.5 | 8.3 | 10.2 | 320 | 2700 | 3240 | 1.94 | 12.92 | 15.03 | 75 | 95 | 98 | 4.20 |
| | 24 | 10 | - | - | - | 34 | 5.76 | 2.84 | - | - | - | 1.5 | 8.6 | 10.2 | 320 | 2860 | 3250 | 1.94 | 13.68 | 15.07 | 75 | 95 | 98 | 4.20 |
| | 13 | 13 | - | - | - | 26 | 3.95 | 3.95 | - | - | - | 1.5 | 7.9 | 10.1 | 320 | 2480 | 3230 | 1.94 | 11.87 | 14.98 | 75 | 95 | 98 | 4.30 |
| | 16 | 13 | - | - | - | 29 | 4.35 | 3.95 | - | - | - | 1.5 | 8.3 | 10.2 | 320 | 2700 | 3240 | 1.94 | 12.92 | 15.03 | 75 | 95 | 98 | 4.30 |
| | 18 | 13 | - | - | - | 31 | 4.53 | 3.77 | - | - | - | 1.5 | 8.3 | 10.2 | 320 | 2700 | 3240 | 1.94 | 12.92 | 15.03 | 75 | 95 | 98 | 4.30 |
| | 22 | 13 | - | - | - | 35 | 5.02 | 3.58 | - | - | - | 1.5 | 8.6 | 10.2 | 320 | 2860 | 3250 | 1.94 | 13.68 | 15.07 | 75 | 95 | 98 | 4.20 |
| | 24 | 13 | - | - | - | 37 | 5.32 | 3.28 | - | - | - | 1.5 | 8.6 | 10.2 | 320 | 2860 | 3250 | 1.94 | 13.68 | 15.07 | 75 | 95 | 98 | 4.20 |
| | 16 | 16 | - | - | - | 32 | 4.30 | 4.30 | - | - | - | 1.5 | 8.6 | 10.2 | 320 | 2860 | 3250 | 1.94 | 13.68 | 15.07 | 75 | 95 | 98 | 4.30 |
| | 18 | 16 | - | - | - | 34 | 4.49 | 4.11 | - | - | - | 1.5 | 8.6 | 10.2 | 320 | 2860 | 3250 | 1.94 | 13.68 | 15.07 | 75 | 95 | 98 | 4.30 |
| | 22 | 16 | - | - | - | 38 | 4.82 | 3.78 | - | - | - | 1.5 | 8.6 | 10.2 | 320 | 2860 | 3250 | 1.94 | 13.68 | 15.07 | 75 | 95 | 98 | 4.20 |
| | 24 | 16 | - | - | - | 40 | 5.12 | 3.48 | - | - | - | 1.5 | 8.6 | 10.2 | 320 | 2860 | 3250 | 1.94 | 13.68 | 15.07 | 75 | 95 | 98 | 4.20 |
| | 18 | 18 | - | - | - | 36 | 4.30 | 4.30 | - | - | - | 1.5 | 8.6 | 10.2 | 320 | 2860 | 3250 | 1.94 | 13.68 | 15.07 | 75 | 95 | 98 | 4.29 |
| | 22 | 18 | - | - | - | 40 | 4.63 | 3.97 | - | - | - | 1.5 | 8.6 | 10.2 | 320 | 2860 | 3250 | 1.94 | 13.68 | 15.07 | 75 | 95 | 98 | 4.19 |
| 24 | 18 | - | - | - | 42 | 4.94 | 3.66 | - | - | - | 1.5 | 8.6 | 10.2 | 320 | 2860 | 3250 | 1.94 | 13.68 | 15.07 | 75 | 95 | 98 | 4.19 | |

Heating : Capacity test condition, inside : 20 °C (Db), outside : 7 °C (Db) / 6 °C (Wb)
Piping length : 5 m. per indoor unit.

Operation mode : Heating

Power supply voltage : 220V

Table with columns: Operation status, Indoor unit (A, B, C, D, E, ΣkBTU), Unit capacity (kW) (A, B, C, D, E), Heating capacity (kW) (Min, Rate, Max), Power consumption (W) (Min, Rate, Max), Operating current (A) (Min, Rate, Max), Power factor (%), SCOP Rate. The table contains 48 rows of data for 3 units.

Heating : Capacity test condition, inside : 20 °C (Db), outside : 7 °C (Db) / 6 °C (Wb)
Piping length : 5 m. per indoor unit.

Operation mode : Heating

Power supply voltage : 220V

| Operation status | Indoor unit | | | | | | Unit capacity (kW) | | | | | Heating capacity (kW) | | | Power consumption (W) | | | Operating current (A) | | | Power factor (%) | | | SCOP |
|------------------|-------------|-----|-----|-----|---|-------|--------------------|------|------|------|---|-----------------------|------|------|-----------------------|------|------|-----------------------|------|-------|------------------|------|-----|------|
| | A | B | C | D | E | ΣkBTU | A | B | C | D | E | Min | Rate | Max | Min | Rate | Max | Min | Rate | Max | Min | Rate | Max | |
| 4 units | 16 | 13 | 10 | 10 | - | 49 | 2.65 | 2.41 | 1.92 | 1.92 | - | 2.9 | 8.9 | 11.7 | 501 | 1905 | 2600 | 2.53 | 9.11 | 12.06 | 90 | 95 | 98 | 4.26 |
| | 18 | 13 | 10 | 10 | - | 51 | 2.81 | 2.34 | 1.87 | 1.87 | - | 2.9 | 8.9 | 11.7 | 501 | 1905 | 2600 | 2.53 | 9.11 | 12.06 | 90 | 95 | 98 | 4.25 |
| | 16 | 16 | 10 | 10 | - | 52 | 2.61 | 2.61 | 1.89 | 1.89 | - | 2.9 | 9.0 | 11.7 | 501 | 1927 | 2600 | 2.53 | 9.22 | 12.06 | 90 | 95 | 98 | 4.26 |
| | 18 | 16 | 10 | 10 | - | 54 | 2.77 | 2.54 | 1.85 | 1.85 | - | 2.9 | 9.0 | 11.7 | 501 | 1927 | 2600 | 2.53 | 9.22 | 12.06 | 90 | 95 | 98 | 4.25 |
| | 13 | 13 | 13 | 10 | - | 49 | 2.34 | 2.34 | 2.34 | 1.87 | - | 2.9 | 8.9 | 11.7 | 501 | 1905 | 2600 | 2.53 | 9.11 | 12.06 | 90 | 95 | 98 | 4.26 |
| | 16 | 13 | 13 | 10 | - | 52 | 2.54 | 2.31 | 2.31 | 1.85 | - | 2.9 | 9.0 | 11.7 | 501 | 1927 | 2600 | 2.53 | 9.22 | 12.06 | 90 | 95 | 98 | 4.26 |
| | 18 | 13 | 13 | 10 | - | 54 | 2.70 | 2.25 | 2.25 | 1.80 | - | 2.9 | 9.0 | 11.7 | 501 | 1927 | 2600 | 2.53 | 9.22 | 12.06 | 90 | 95 | 98 | 4.25 |
| | 13 | 13 | 13 | 13 | - | 52 | 2.25 | 2.25 | 2.25 | 2.25 | - | 2.9 | 9.0 | 11.7 | 501 | 1927 | 2600 | 2.53 | 9.22 | 12.06 | 90 | 95 | 98 | 4.26 |
| | 22 | 05* | 05* | 05* | - | 37 | 4.79 | 1.37 | 1.37 | 1.37 | - | 2.9 | 8.9 | 11.7 | 501 | 1910 | 2600 | 2.53 | 9.14 | 12.06 | 90 | 95 | 98 | 4.12 |
| | 24 | 05* | 05* | 05* | - | 39 | 5.11 | 1.26 | 1.26 | 1.26 | - | 2.9 | 8.9 | 11.7 | 501 | 1920 | 2600 | 2.53 | 9.19 | 12.06 | 90 | 95 | 98 | 4.12 |
| | 22 | 07* | 05* | 05* | - | 39 | 4.55 | 1.75 | 1.30 | 1.30 | - | 2.9 | 8.9 | 11.7 | 501 | 1920 | 2600 | 2.53 | 9.19 | 12.06 | 90 | 95 | 98 | 4.12 |
| | 24 | 07* | 05* | 05* | - | 41 | 4.87 | 1.62 | 1.20 | 1.20 | - | 2.9 | 8.9 | 11.7 | 501 | 1920 | 2600 | 2.53 | 9.19 | 12.06 | 90 | 95 | 98 | 4.12 |
| | 22 | 10* | 05* | 05* | - | 42 | 4.15 | 2.37 | 1.19 | 1.19 | - | 2.9 | 8.9 | 11.7 | 501 | 1920 | 2600 | 2.53 | 9.19 | 12.06 | 90 | 95 | 98 | 4.12 |
| | 24 | 10* | 05* | 05* | - | 44 | 4.48 | 2.21 | 1.11 | 1.11 | - | 2.9 | 8.9 | 11.7 | 501 | 1920 | 2600 | 2.53 | 9.19 | 12.06 | 90 | 95 | 98 | 4.12 |
| | 22 | 13* | 05* | 05* | - | 45 | 3.89 | 2.78 | 1.11 | 1.11 | - | 2.9 | 8.9 | 11.7 | 501 | 1920 | 2600 | 2.53 | 9.19 | 12.06 | 90 | 95 | 98 | 4.12 |
| | 24 | 13* | 05* | 05* | - | 47 | 4.22 | 2.60 | 1.04 | 1.04 | - | 2.9 | 8.9 | 11.7 | 501 | 1920 | 2600 | 2.53 | 9.19 | 12.06 | 90 | 95 | 98 | 4.12 |
| | 22 | 07* | 07* | 05* | - | 41 | 4.33 | 1.67 | 1.67 | 1.24 | - | 2.9 | 8.9 | 11.7 | 501 | 1920 | 2600 | 2.53 | 9.19 | 12.06 | 90 | 95 | 98 | 4.12 |
| | 24 | 07* | 07* | 05* | - | 43 | 4.65 | 1.55 | 1.55 | 1.15 | - | 2.9 | 8.9 | 11.7 | 501 | 1920 | 2600 | 2.53 | 9.19 | 12.06 | 90 | 95 | 98 | 4.12 |
| | 22 | 10* | 07* | 05* | - | 44 | 3.97 | 2.27 | 1.53 | 1.13 | - | 2.9 | 8.9 | 11.7 | 501 | 1920 | 2600 | 2.53 | 9.19 | 12.06 | 90 | 95 | 98 | 4.12 |
| | 24 | 10* | 07* | 05* | - | 46 | 4.29 | 2.12 | 1.43 | 1.06 | - | 2.9 | 8.9 | 11.7 | 501 | 1920 | 2600 | 2.53 | 9.19 | 12.06 | 90 | 95 | 98 | 4.12 |
| | 22 | 13* | 07* | 05* | - | 47 | 3.73 | 2.66 | 1.44 | 1.07 | - | 2.9 | 8.9 | 11.7 | 501 | 1920 | 2600 | 2.53 | 9.19 | 12.06 | 90 | 95 | 98 | 4.12 |
| | 24 | 13* | 07* | 05* | - | 49 | 4.05 | 2.50 | 1.35 | 1.00 | - | 2.9 | 8.9 | 11.7 | 501 | 1920 | 2600 | 2.53 | 9.19 | 12.06 | 90 | 95 | 98 | 4.12 |
| | 22 | 10* | 10* | 05* | - | 47 | 3.66 | 2.09 | 2.09 | 1.05 | - | 2.9 | 8.9 | 11.7 | 501 | 1920 | 2600 | 2.53 | 9.19 | 12.06 | 90 | 95 | 98 | 4.12 |
| | 24 | 10* | 10* | 05* | - | 49 | 3.98 | 1.97 | 1.97 | 0.98 | - | 2.9 | 8.9 | 11.7 | 501 | 1920 | 2600 | 2.53 | 9.19 | 12.06 | 90 | 95 | 98 | 4.12 |
| | 22 | 13* | 10* | 05* | - | 50 | 3.46 | 2.47 | 1.98 | 0.99 | - | 2.9 | 8.9 | 11.7 | 501 | 1920 | 2600 | 2.53 | 9.19 | 12.06 | 90 | 95 | 98 | 4.12 |
| | 24 | 13* | 10* | 05* | - | 52 | 3.77 | 2.33 | 1.86 | 0.93 | - | 2.9 | 8.9 | 11.7 | 501 | 1920 | 2600 | 2.53 | 9.19 | 12.06 | 90 | 95 | 98 | 4.12 |
| | 22 | 07* | 07* | 07* | - | 43 | 4.13 | 1.59 | 1.59 | 1.59 | - | 2.6 | 8.9 | 11.7 | 480 | 1905 | 2600 | 2.42 | 9.11 | 12.06 | 90 | 95 | 98 | 4.12 |
| | 24 | 07* | 07* | 07* | - | 45 | 4.45 | 1.48 | 1.48 | 1.48 | - | 2.6 | 8.9 | 11.7 | 480 | 1905 | 2600 | 2.42 | 9.11 | 12.06 | 90 | 95 | 98 | 4.12 |
| | 22 | 10* | 07* | 07* | - | 46 | 3.80 | 2.17 | 1.47 | 1.47 | - | 2.6 | 8.9 | 11.7 | 480 | 1905 | 2600 | 2.42 | 9.11 | 12.06 | 90 | 95 | 98 | 4.12 |
| | 24 | 10* | 07* | 07* | - | 48 | 4.12 | 2.03 | 1.37 | 1.37 | - | 2.6 | 8.9 | 11.7 | 480 | 1905 | 2600 | 2.42 | 9.11 | 12.06 | 90 | 95 | 98 | 4.12 |
| | 22 | 13* | 07* | 07* | - | 49 | 3.58 | 2.56 | 1.38 | 1.38 | - | 2.6 | 8.9 | 11.7 | 480 | 1905 | 2600 | 2.42 | 9.11 | 12.06 | 90 | 95 | 98 | 4.12 |
| | 24 | 13* | 07* | 07* | - | 51 | 3.90 | 2.41 | 1.30 | 1.30 | - | 2.6 | 8.9 | 11.7 | 480 | 1905 | 2600 | 2.42 | 9.11 | 12.06 | 90 | 95 | 98 | 4.12 |
| | 22 | 10* | 10* | 07* | - | 49 | 3.52 | 2.01 | 2.01 | 1.36 | - | 2.6 | 8.9 | 11.7 | 480 | 1905 | 2600 | 2.42 | 9.11 | 12.06 | 90 | 95 | 98 | 4.12 |
| | 24 | 10* | 10* | 07* | - | 51 | 3.83 | 1.89 | 1.89 | 1.28 | - | 2.6 | 8.9 | 11.7 | 480 | 1905 | 2600 | 2.42 | 9.11 | 12.06 | 90 | 95 | 98 | 4.12 |
| | 22 | 13* | 10* | 07* | - | 52 | 3.37 | 2.41 | 1.93 | 1.30 | - | 2.6 | 9.0 | 11.7 | 480 | 1927 | 2600 | 2.42 | 9.22 | 12.06 | 90 | 95 | 98 | 4.12 |
| | 24 | 13* | 10* | 07* | - | 54 | 3.68 | 2.27 | 1.82 | 1.23 | - | 2.6 | 9.0 | 11.7 | 480 | 1927 | 2600 | 2.42 | 9.22 | 12.06 | 90 | 95 | 98 | 4.12 |
| | 22 | 10* | 10* | 10* | - | 52 | 3.32 | 1.89 | 1.89 | 1.89 | - | 2.6 | 9.0 | 11.7 | 480 | 1927 | 2600 | 2.42 | 9.22 | 12.06 | 90 | 95 | 98 | 4.12 |
| | 24 | 10* | 10* | 10* | - | 54 | 3.63 | 1.79 | 1.79 | 1.79 | - | 2.6 | 9.0 | 11.7 | 480 | 1927 | 2600 | 2.42 | 9.22 | 12.06 | 90 | 95 | 98 | 4.12 |

* Applicable FCU are "PKV" series and "BKV" series only.
 Heating : Capacity test condition, inside : 20 °C (Db), outside : 7 °C (Db) / 6 °C (Wb)
 Piping length : 5 m. per indoor unit.

Operation mode : Heating

Power supply voltage : 230V

| Operation status | Indoor unit | | | | | Unit capacity (kW) | | | | | Heating capacity (kW) | | | Power consumption (W) | | | Operating current (A) | | | Power factor (%) | | | SCOP | |
|------------------|-------------|----|---|---|----|--------------------|------|------|---|---|-----------------------|-----|------|-----------------------|------|------|-----------------------|-------|-------|------------------|-----|------|------|------|
| | A | B | C | D | E | ΣkBTU | A | B | C | D | E | Min | Rate | Max | Min | Rate | Max | Min | Rate | Max | Min | Rate | | Max |
| 1 unit | 05 | - | - | - | - | 5 | 2.00 | - | - | - | - | 0.8 | 2.0 | 2.7 | 300 | 600 | 900 | 1.79 | 3.00 | 3.99 | 73 | 87 | 98 | - |
| | 07 | - | - | - | - | 7 | 2.70 | - | - | - | - | 0.8 | 2.7 | 4.8 | 300 | 900 | 1980 | 1.79 | 4.50 | 8.78 | 73 | 87 | 98 | - |
| | 10 | - | - | - | - | 10 | 4.00 | - | - | - | - | 0.8 | 4.0 | 5.2 | 300 | 1450 | 1980 | 1.79 | 6.64 | 8.78 | 73 | 95 | 98 | - |
| | 13 | - | - | - | - | 13 | 5.00 | - | - | - | - | 0.8 | 5.0 | 6.5 | 310 | 2050 | 2750 | 1.85 | 9.38 | 12.20 | 73 | 95 | 98 | - |
| | 16 | - | - | - | - | 16 | 5.50 | - | - | - | - | 0.8 | 5.5 | 6.9 | 310 | 2400 | 3000 | 1.85 | 10.98 | 13.31 | 73 | 95 | 98 | - |
| | 18 | - | - | - | - | 18 | 6.00 | - | - | - | - | 0.8 | 6.0 | 7.1 | 310 | 2630 | 3200 | 1.85 | 12.04 | 14.20 | 73 | 95 | 98 | - |
| | 22 | - | - | - | - | 22 | 7.00 | - | - | - | - | 1.8 | 7.0 | 8.2 | 330 | 2620 | 3200 | 1.97 | 11.99 | 14.20 | 73 | 95 | 98 | - |
| 24 | - | - | - | - | 24 | 8.10 | - | - | - | - | 1.8 | 8.1 | 8.6 | 330 | 3080 | 3300 | 1.97 | 14.10 | 14.64 | 73 | 95 | 98 | - | |
| 2 units | 05 | 05 | - | - | - | 10 | 2.00 | 2.00 | - | - | - | 1.5 | 4.0 | 5.0 | 320 | 1300 | 1500 | 1.86 | 5.95 | 6.65 | 75 | 95 | 98 | 4.04 |
| | 07 | 05 | - | - | - | 12 | 2.70 | 2.00 | - | - | - | 1.5 | 4.7 | 6.0 | 320 | 1500 | 1700 | 1.86 | 6.86 | 7.54 | 75 | 95 | 98 | 4.13 |
| | 10 | 05 | - | - | - | 15 | 4.00 | 2.00 | - | - | - | 1.5 | 6.0 | 7.4 | 320 | 1800 | 2600 | 1.86 | 8.24 | 11.54 | 75 | 95 | 98 | 4.21 |
| | 13 | 05 | - | - | - | 18 | 5.00 | 2.00 | - | - | - | 1.5 | 7.0 | 8.9 | 320 | 2150 | 2700 | 1.86 | 9.84 | 11.98 | 75 | 95 | 98 | 4.21 |
| | 16 | 05 | - | - | - | 21 | 5.50 | 2.00 | - | - | - | 1.5 | 7.5 | 10.1 | 320 | 2320 | 2800 | 1.86 | 10.62 | 12.42 | 75 | 95 | 98 | 4.30 |
| | 18 | 05 | - | - | - | 23 | 6.00 | 2.00 | - | - | - | 1.5 | 8.0 | 10.1 | 320 | 2480 | 3100 | 1.86 | 11.35 | 13.75 | 75 | 95 | 98 | 4.30 |
| | 22 | 05 | - | - | - | 27 | 6.46 | 1.84 | - | - | - | 1.5 | 8.3 | 10.2 | 320 | 2700 | 3230 | 1.86 | 12.36 | 14.33 | 75 | 95 | 98 | 4.20 |
| | 24 | 05 | - | - | - | 29 | 6.66 | 1.64 | - | - | - | 1.5 | 8.3 | 10.2 | 320 | 2700 | 3230 | 1.86 | 12.36 | 14.33 | 75 | 95 | 98 | 4.20 |
| | 07 | 07 | - | - | - | 14 | 2.70 | 2.70 | - | - | - | 1.5 | 5.4 | 7.4 | 320 | 1800 | 2500 | 1.86 | 8.24 | 11.09 | 75 | 95 | 98 | 4.21 |
| | 10 | 07 | - | - | - | 17 | 4.00 | 2.70 | - | - | - | 1.5 | 6.7 | 8.9 | 320 | 2080 | 3200 | 1.86 | 9.52 | 14.20 | 75 | 95 | 98 | 4.21 |
| | 13 | 07 | - | - | - | 20 | 4.81 | 2.59 | - | - | - | 1.5 | 7.4 | 10.1 | 320 | 2320 | 3210 | 1.86 | 10.62 | 14.24 | 75 | 95 | 98 | 4.30 |
| | 16 | 07 | - | - | - | 23 | 5.10 | 2.50 | - | - | - | 1.5 | 7.6 | 10.1 | 320 | 2480 | 3230 | 1.86 | 11.35 | 14.33 | 75 | 95 | 98 | 4.30 |
| | 18 | 07 | - | - | - | 25 | 5.45 | 2.45 | - | - | - | 1.5 | 7.9 | 10.1 | 320 | 2480 | 3230 | 1.86 | 11.35 | 14.33 | 75 | 95 | 98 | 4.30 |
| | 22 | 07 | - | - | - | 29 | 5.70 | 2.20 | - | - | - | 1.5 | 7.9 | 10.1 | 320 | 2480 | 3230 | 1.86 | 11.35 | 14.33 | 75 | 95 | 98 | 4.20 |
| | 24 | 07 | - | - | - | 31 | 6.23 | 2.08 | - | - | - | 1.5 | 8.3 | 10.2 | 320 | 2700 | 3240 | 1.86 | 12.36 | 14.37 | 75 | 95 | 98 | 4.20 |
| | 10 | 10 | - | - | - | 20 | 3.60 | 3.60 | - | - | - | 1.5 | 7.2 | 10.0 | 320 | 2100 | 3200 | 1.86 | 9.61 | 14.20 | 75 | 95 | 98 | 4.30 |
| | 13 | 10 | - | - | - | 23 | 4.22 | 3.38 | - | - | - | 1.5 | 7.6 | 10.1 | 320 | 2320 | 3210 | 1.86 | 10.62 | 14.24 | 75 | 95 | 98 | 4.30 |
| | 16 | 10 | - | - | - | 26 | 4.57 | 3.33 | - | - | - | 1.5 | 7.9 | 10.1 | 320 | 2480 | 3230 | 1.86 | 11.35 | 14.33 | 75 | 95 | 98 | 4.30 |
| | 18 | 10 | - | - | - | 28 | 4.74 | 3.16 | - | - | - | 1.5 | 7.9 | 10.1 | 320 | 2480 | 3230 | 1.86 | 11.35 | 14.33 | 75 | 95 | 98 | 4.30 |
| | 22 | 10 | - | - | - | 32 | 5.28 | 3.02 | - | - | - | 1.5 | 8.3 | 10.2 | 320 | 2700 | 3240 | 1.86 | 12.36 | 14.37 | 75 | 95 | 98 | 4.20 |
| | 24 | 10 | - | - | - | 34 | 5.76 | 2.84 | - | - | - | 1.5 | 8.6 | 10.2 | 320 | 2860 | 3250 | 1.86 | 13.09 | 14.42 | 75 | 95 | 98 | 4.20 |
| | 13 | 13 | - | - | - | 26 | 3.95 | 3.95 | - | - | - | 1.5 | 7.9 | 10.1 | 320 | 2480 | 3230 | 1.86 | 11.35 | 14.33 | 75 | 95 | 98 | 4.30 |
| | 16 | 13 | - | - | - | 29 | 4.35 | 3.95 | - | - | - | 1.5 | 8.3 | 10.2 | 320 | 2700 | 3240 | 1.86 | 12.36 | 14.37 | 75 | 95 | 98 | 4.30 |
| | 18 | 13 | - | - | - | 31 | 4.53 | 3.77 | - | - | - | 1.5 | 8.3 | 10.2 | 320 | 2700 | 3240 | 1.86 | 12.36 | 14.37 | 75 | 95 | 98 | 4.30 |
| | 22 | 13 | - | - | - | 35 | 5.02 | 3.58 | - | - | - | 1.5 | 8.6 | 10.2 | 320 | 2860 | 3250 | 1.86 | 13.09 | 14.42 | 75 | 95 | 98 | 4.20 |
| | 24 | 13 | - | - | - | 37 | 5.32 | 3.28 | - | - | - | 1.5 | 8.6 | 10.2 | 320 | 2860 | 3250 | 1.86 | 13.09 | 14.42 | 75 | 95 | 98 | 4.20 |
| | 16 | 16 | - | - | - | 32 | 4.30 | 4.30 | - | - | - | 1.5 | 8.6 | 10.2 | 320 | 2860 | 3250 | 1.86 | 13.09 | 14.42 | 75 | 95 | 98 | 4.30 |
| | 18 | 16 | - | - | - | 34 | 4.49 | 4.11 | - | - | - | 1.5 | 8.6 | 10.2 | 320 | 2860 | 3250 | 1.86 | 13.09 | 14.42 | 75 | 95 | 98 | 4.30 |
| | 22 | 16 | - | - | - | 38 | 4.82 | 3.78 | - | - | - | 1.5 | 8.6 | 10.2 | 320 | 2860 | 3250 | 1.86 | 13.09 | 14.42 | 75 | 95 | 98 | 4.20 |
| | 24 | 16 | - | - | - | 40 | 5.12 | 3.48 | - | - | - | 1.5 | 8.6 | 10.2 | 320 | 2860 | 3250 | 1.86 | 13.09 | 14.42 | 75 | 95 | 98 | 4.20 |
| | 18 | 18 | - | - | - | 36 | 4.30 | 4.30 | - | - | - | 1.5 | 8.6 | 10.2 | 320 | 2860 | 3250 | 1.86 | 13.09 | 14.42 | 75 | 95 | 98 | 4.29 |
| | 22 | 18 | - | - | - | 40 | 4.63 | 3.97 | - | - | - | 1.5 | 8.6 | 10.2 | 320 | 2860 | 3250 | 1.86 | 13.09 | 14.42 | 75 | 95 | 98 | 4.19 |
| 24 | 18 | - | - | - | 42 | 4.94 | 3.66 | - | - | - | 1.5 | 8.6 | 10.2 | 320 | 2860 | 3250 | 1.86 | 13.09 | 14.42 | 75 | 95 | 98 | 4.19 | |

Heating : Capacity test condition, inside : 20 °C (Db), outside : 7 °C (Db) / 6 °C (Wb)
 Piping length : 5 m. per indoor unit.

Operation mode : Heating

Power supply voltage : 230V

| Operation status | Indoor unit | | | | | Unit capacity (kW) | | | | | Heating capacity (kW) | | | Power consumption (W) | | | Operating current (A) | | | Power factor (%) | | | SCOP Rate | |
|------------------|-------------|-----|-----|-----|---|--------------------|------|------|------|------|-----------------------|-----|------|-----------------------|-----|------|-----------------------|------|------|------------------|-----|------|-----------|------|
| | A | B | C | D | E | ΣkBTU | A | B | C | D | E | Min | Rate | Max | Min | Rate | Max | Min | Rate | Max | Min | Rate | | Max |
| 4 units | 16 | 13 | 10 | 10 | - | 49 | 2.65 | 2.41 | 1.92 | 1.92 | - | 2.9 | 8.9 | 11.7 | 501 | 1905 | 2600 | 2.42 | 8.72 | 11.54 | 90 | 95 | 98 | 4.26 |
| | 18 | 13 | 10 | 10 | - | 51 | 2.81 | 2.34 | 1.87 | 1.87 | - | 2.9 | 8.9 | 11.7 | 501 | 1905 | 2600 | 2.42 | 8.72 | 11.54 | 90 | 95 | 98 | 4.25 |
| | 16 | 16 | 10 | 10 | - | 52 | 2.61 | 2.61 | 1.89 | 1.89 | - | 2.9 | 9.0 | 11.7 | 501 | 1927 | 2600 | 2.42 | 8.82 | 11.54 | 90 | 95 | 98 | 4.26 |
| | 18 | 16 | 10 | 10 | - | 54 | 2.77 | 2.54 | 1.85 | 1.85 | - | 2.9 | 9.0 | 11.7 | 501 | 1927 | 2600 | 2.42 | 8.82 | 11.54 | 90 | 95 | 98 | 4.25 |
| | 13 | 13 | 13 | 10 | - | 49 | 2.34 | 2.34 | 2.34 | 1.87 | - | 2.9 | 8.9 | 11.7 | 501 | 1905 | 2600 | 2.42 | 8.72 | 11.54 | 90 | 95 | 98 | 4.26 |
| | 16 | 13 | 13 | 10 | - | 52 | 2.54 | 2.31 | 2.31 | 1.85 | - | 2.9 | 9.0 | 11.7 | 501 | 1927 | 2600 | 2.42 | 8.82 | 11.54 | 90 | 95 | 98 | 4.26 |
| | 18 | 13 | 13 | 10 | - | 54 | 2.70 | 2.25 | 2.25 | 1.80 | - | 2.9 | 9.0 | 11.7 | 501 | 1927 | 2600 | 2.42 | 8.82 | 11.54 | 90 | 95 | 98 | 4.25 |
| | 13 | 13 | 13 | 13 | - | 52 | 2.25 | 2.25 | 2.25 | 2.25 | - | 2.9 | 9.0 | 11.7 | 501 | 1927 | 2600 | 2.42 | 8.82 | 11.54 | 90 | 95 | 98 | 4.26 |
| | 22 | 05* | 05* | 05* | - | 37 | 4.79 | 1.37 | 1.37 | 1.37 | - | 2.9 | 8.9 | 11.7 | 501 | 1910 | 2600 | 2.42 | 8.74 | 11.54 | 90 | 95 | 98 | 4.12 |
| | 24 | 05* | 05* | 05* | - | 39 | 5.11 | 1.26 | 1.26 | 1.26 | - | 2.9 | 8.9 | 11.7 | 501 | 1920 | 2600 | 2.42 | 8.79 | 11.54 | 90 | 95 | 98 | 4.12 |
| | 22 | 07* | 05* | 05* | - | 39 | 4.55 | 1.75 | 1.30 | 1.30 | - | 2.9 | 8.9 | 11.7 | 501 | 1920 | 2600 | 2.42 | 8.79 | 11.54 | 90 | 95 | 98 | 4.12 |
| | 24 | 07* | 05* | 05* | - | 41 | 4.87 | 1.62 | 1.20 | 1.20 | - | 2.9 | 8.9 | 11.7 | 501 | 1920 | 2600 | 2.42 | 8.79 | 11.54 | 90 | 95 | 98 | 4.12 |
| | 22 | 10* | 05* | 05* | - | 42 | 4.15 | 2.37 | 1.19 | 1.19 | - | 2.9 | 8.9 | 11.7 | 501 | 1920 | 2600 | 2.42 | 8.79 | 11.54 | 90 | 95 | 98 | 4.12 |
| | 24 | 10* | 05* | 05* | - | 44 | 4.48 | 2.21 | 1.11 | 1.11 | - | 2.9 | 8.9 | 11.7 | 501 | 1920 | 2600 | 2.42 | 8.79 | 11.54 | 90 | 95 | 98 | 4.12 |
| | 22 | 13* | 05* | 05* | - | 45 | 3.89 | 2.78 | 1.11 | 1.11 | - | 2.9 | 8.9 | 11.7 | 501 | 1920 | 2600 | 2.42 | 8.79 | 11.54 | 90 | 95 | 98 | 4.12 |
| | 24 | 13* | 05* | 05* | - | 47 | 4.22 | 2.60 | 1.04 | 1.04 | - | 2.9 | 8.9 | 11.7 | 501 | 1920 | 2600 | 2.42 | 8.79 | 11.54 | 90 | 95 | 98 | 4.12 |
| | 22 | 07* | 07* | 05* | - | 41 | 4.33 | 1.67 | 1.67 | 1.24 | - | 2.9 | 8.9 | 11.7 | 501 | 1920 | 2600 | 2.42 | 8.79 | 11.54 | 90 | 95 | 98 | 4.12 |
| | 24 | 07* | 07* | 05* | - | 43 | 4.65 | 1.55 | 1.55 | 1.15 | - | 2.9 | 8.9 | 11.7 | 501 | 1920 | 2600 | 2.42 | 8.79 | 11.54 | 90 | 95 | 98 | 4.12 |
| | 22 | 10* | 07* | 05* | - | 44 | 3.97 | 2.27 | 1.53 | 1.13 | - | 2.9 | 8.9 | 11.7 | 501 | 1920 | 2600 | 2.42 | 8.79 | 11.54 | 90 | 95 | 98 | 4.12 |
| | 24 | 10* | 07* | 05* | - | 46 | 4.29 | 2.12 | 1.43 | 1.06 | - | 2.9 | 8.9 | 11.7 | 501 | 1920 | 2600 | 2.42 | 8.79 | 11.54 | 90 | 95 | 98 | 4.12 |
| | 22 | 13* | 07* | 05* | - | 47 | 3.73 | 2.66 | 1.44 | 1.07 | - | 2.9 | 8.9 | 11.7 | 501 | 1920 | 2600 | 2.42 | 8.79 | 11.54 | 90 | 95 | 98 | 4.12 |
| | 24 | 13* | 07* | 05* | - | 49 | 4.05 | 2.50 | 1.35 | 1.00 | - | 2.9 | 8.9 | 11.7 | 501 | 1920 | 2600 | 2.42 | 8.79 | 11.54 | 90 | 95 | 98 | 4.12 |
| | 22 | 10* | 10* | 05* | - | 47 | 3.66 | 2.09 | 2.09 | 1.05 | - | 2.9 | 8.9 | 11.7 | 501 | 1920 | 2600 | 2.42 | 8.79 | 11.54 | 90 | 95 | 98 | 4.12 |
| | 24 | 10* | 10* | 05* | - | 49 | 3.98 | 1.97 | 1.97 | 0.98 | - | 2.9 | 8.9 | 11.7 | 501 | 1920 | 2600 | 2.42 | 8.79 | 11.54 | 90 | 95 | 98 | 4.12 |
| | 22 | 13* | 10* | 05* | - | 50 | 3.46 | 2.47 | 1.98 | 0.99 | - | 2.9 | 8.9 | 11.7 | 501 | 1920 | 2600 | 2.42 | 8.79 | 11.54 | 90 | 95 | 98 | 4.12 |
| | 24 | 13* | 10* | 05* | - | 52 | 3.77 | 2.33 | 1.86 | 0.93 | - | 2.9 | 8.9 | 11.7 | 501 | 1920 | 2600 | 2.42 | 8.79 | 11.54 | 90 | 95 | 98 | 4.12 |
| | 22 | 07* | 07* | 07* | - | 43 | 4.13 | 1.59 | 1.59 | 1.59 | - | 2.6 | 8.9 | 11.7 | 480 | 1905 | 2600 | 2.32 | 8.72 | 11.54 | 90 | 95 | 98 | 4.12 |
| | 24 | 07* | 07* | 07* | - | 45 | 4.45 | 1.48 | 1.48 | 1.48 | - | 2.6 | 8.9 | 11.7 | 480 | 1905 | 2600 | 2.32 | 8.72 | 11.54 | 90 | 95 | 98 | 4.12 |
| | 22 | 10* | 07* | 07* | - | 46 | 3.80 | 2.17 | 1.47 | 1.47 | - | 2.6 | 8.9 | 11.7 | 480 | 1905 | 2600 | 2.32 | 8.72 | 11.54 | 90 | 95 | 98 | 4.12 |
| | 24 | 10* | 07* | 07* | - | 48 | 4.12 | 2.03 | 1.37 | 1.37 | - | 2.6 | 8.9 | 11.7 | 480 | 1905 | 2600 | 2.32 | 8.72 | 11.54 | 90 | 95 | 98 | 4.12 |
| | 22 | 13* | 07* | 07* | - | 49 | 3.58 | 2.56 | 1.38 | 1.38 | - | 2.6 | 8.9 | 11.7 | 480 | 1905 | 2600 | 2.32 | 8.72 | 11.54 | 90 | 95 | 98 | 4.12 |
| | 24 | 13* | 07* | 07* | - | 51 | 3.90 | 2.41 | 1.30 | 1.30 | - | 2.6 | 8.9 | 11.7 | 480 | 1905 | 2600 | 2.32 | 8.72 | 11.54 | 90 | 95 | 98 | 4.12 |
| | 22 | 10* | 10* | 07* | - | 49 | 3.52 | 2.01 | 2.01 | 1.36 | - | 2.6 | 8.9 | 11.7 | 480 | 1905 | 2600 | 2.32 | 8.72 | 11.54 | 90 | 95 | 98 | 4.12 |
| | 24 | 10* | 10* | 07* | - | 51 | 3.83 | 1.89 | 1.89 | 1.28 | - | 2.6 | 8.9 | 11.7 | 480 | 1905 | 2600 | 2.32 | 8.72 | 11.54 | 90 | 95 | 98 | 4.12 |
| | 22 | 13* | 10* | 07* | - | 52 | 3.37 | 2.41 | 1.93 | 1.30 | - | 2.6 | 9.0 | 11.7 | 480 | 1927 | 2600 | 2.32 | 8.82 | 11.54 | 90 | 95 | 98 | 4.12 |
| | 24 | 13* | 10* | 07* | - | 54 | 3.68 | 2.27 | 1.82 | 1.23 | - | 2.6 | 9.0 | 11.7 | 480 | 1927 | 2600 | 2.32 | 8.82 | 11.54 | 90 | 95 | 98 | 4.12 |
| | 22 | 10* | 10* | 10* | - | 52 | 3.32 | 1.89 | 1.89 | 1.89 | - | 2.6 | 9.0 | 11.7 | 480 | 1927 | 2600 | 2.32 | 8.82 | 11.54 | 90 | 95 | 98 | 4.12 |
| | 24 | 10* | 10* | 10* | - | 54 | 3.63 | 1.79 | 1.79 | 1.79 | - | 2.6 | 9.0 | 11.7 | 480 | 1927 | 2600 | 2.32 | 8.82 | 11.54 | 90 | 95 | 98 | 4.12 |

* Applicable FCU are "PKV" series and "BKV" series
 Heating : Capacity test condition, inside : 20 °C (Db), outside : 7 °C (Db) / 6 °C (Wb)
 Piping length : 5 m. per indoor unit.

Operation mode : Heating

Power supply voltage : 240V

| Operation status | Indoor unit | | | | | | Unit capacity (kW) | | | | | Heating capacity (kW) | | | Power consumption (W) | | | Operating current (A) | | | Power factor (%) | | | SCOP | | |
|------------------|-------------|----|---|---|----|-------|--------------------|------|---|---|-----|-----------------------|------|-----|-----------------------|------|------|-----------------------|-------|-------|------------------|------|------|------|-----|------|
| | A | B | C | D | E | ΣkBTU | A | B | C | D | E | Min | Rate | Max | Min | Rate | Max | Min | Rate | Max | Min | Rate | Max | | Min | Rate |
| 1 unit | 05 | - | - | - | - | 5 | 2.00 | - | - | - | - | 0.8 | 2.0 | 2.7 | 300 | 600 | 900 | 1.71 | 2.87 | 3.83 | 73 | 87 | 98 | - | - | - |
| | 07 | - | - | - | - | 7 | 2.70 | - | - | - | - | 0.8 | 2.7 | 4.8 | 300 | 900 | 1980 | 1.71 | 4.31 | 8.42 | 73 | 87 | 98 | - | - | - |
| | 10 | - | - | - | - | 10 | 4.00 | - | - | - | - | 0.8 | 4.0 | 5.2 | 300 | 1450 | 1980 | 1.71 | 6.36 | 8.42 | 73 | 95 | 98 | - | - | - |
| | 13 | - | - | - | - | 13 | 5.00 | - | - | - | - | 0.8 | 5.0 | 6.5 | 310 | 2050 | 2750 | 1.77 | 8.99 | 11.69 | 73 | 95 | 98 | - | - | - |
| | 16 | - | - | - | - | 16 | 5.50 | - | - | - | - | 0.8 | 5.5 | 6.9 | 310 | 2400 | 3000 | 1.77 | 10.53 | 12.76 | 73 | 95 | 98 | - | - | - |
| | 18 | - | - | - | - | 18 | 6.00 | - | - | - | - | 0.8 | 6.0 | 7.1 | 310 | 2630 | 3200 | 1.77 | 11.54 | 13.61 | 73 | 95 | 98 | - | - | - |
| | 22 | - | - | - | - | 22 | 7.00 | - | - | - | - | 1.8 | 7.0 | 8.2 | 330 | 2620 | 3200 | 1.88 | 11.49 | 13.61 | 73 | 95 | 98 | - | - | - |
| | 24 | - | - | - | - | 24 | 8.10 | - | - | - | - | 1.8 | 8.1 | 8.6 | 330 | 3080 | 3300 | 1.88 | 13.51 | 14.03 | 73 | 95 | 98 | - | - | - |
| | 05 | 05 | - | - | - | 10 | 2.00 | 2.00 | - | - | - | 1.5 | 4.0 | 5.0 | 320 | 1300 | 1500 | 1.78 | 5.70 | 6.38 | 75 | 95 | 98 | 4.04 | - | - |
| 07 | 05 | - | - | - | 12 | 2.70 | 2.00 | - | - | - | 1.5 | 4.7 | 6.0 | 320 | 1500 | 1700 | 1.78 | 6.58 | 7.23 | 75 | 95 | 98 | 4.13 | - | - | |
| 10 | 05 | - | - | - | 15 | 4.00 | 2.00 | - | - | - | 1.5 | 6.0 | 7.4 | 320 | 1800 | 2600 | 1.78 | 7.89 | 11.05 | 75 | 95 | 98 | 4.21 | - | - | |
| 13 | 05 | - | - | - | 18 | 5.00 | 2.00 | - | - | - | 1.5 | 7.0 | 8.9 | 320 | 2150 | 2700 | 1.78 | 9.43 | 11.48 | 75 | 95 | 98 | 4.21 | - | - | |
| 16 | 05 | - | - | - | 21 | 5.50 | 2.00 | - | - | - | 1.5 | 7.5 | 10.1 | 320 | 2320 | 2800 | 1.78 | 10.18 | 11.90 | 75 | 95 | 98 | 4.30 | - | - | |
| 18 | 05 | - | - | - | 23 | 6.00 | 2.00 | - | - | - | 1.5 | 8.0 | 10.1 | 320 | 2480 | 3100 | 1.78 | 10.88 | 13.18 | 75 | 95 | 98 | 4.30 | - | - | |
| 22 | 05 | - | - | - | 27 | 6.46 | 1.84 | - | - | - | 1.5 | 8.3 | 10.2 | 320 | 2700 | 3230 | 1.78 | 11.84 | 13.73 | 75 | 95 | 98 | 4.20 | - | - | |
| 24 | 05 | - | - | - | 29 | 6.66 | 1.64 | - | - | - | 1.5 | 8.3 | 10.2 | 320 | 2700 | 3230 | 1.78 | 11.84 | 13.73 | 75 | 95 | 98 | 4.20 | - | - | |
| 07 | 07 | - | - | - | 14 | 2.70 | 2.70 | - | - | - | 1.5 | 5.4 | 7.4 | 320 | 1800 | 2500 | 1.78 | 7.89 | 10.63 | 75 | 95 | 98 | 4.21 | - | - | |
| 10 | 07 | - | - | - | 17 | 4.00 | 2.70 | - | - | - | 1.5 | 6.7 | 8.9 | 320 | 2080 | 3200 | 1.78 | 9.12 | 13.61 | 75 | 95 | 98 | 4.21 | - | - | |
| 13 | 07 | - | - | - | 20 | 4.81 | 2.59 | - | - | - | 1.5 | 7.4 | 10.1 | 320 | 2320 | 3210 | 1.78 | 10.18 | 13.65 | 75 | 95 | 98 | 4.30 | - | - | |
| 16 | 07 | - | - | - | 23 | 5.10 | 2.50 | - | - | - | 1.5 | 7.6 | 10.1 | 320 | 2480 | 3230 | 1.78 | 10.88 | 13.73 | 75 | 95 | 98 | 4.30 | - | - | |
| 18 | 07 | - | - | - | 25 | 5.45 | 2.45 | - | - | - | 1.5 | 7.9 | 10.1 | 320 | 2480 | 3230 | 1.78 | 10.88 | 13.73 | 75 | 95 | 98 | 4.30 | - | - | |
| 22 | 07 | - | - | - | 29 | 5.70 | 2.20 | - | - | - | 1.5 | 7.9 | 10.1 | 320 | 2480 | 3230 | 1.78 | 10.88 | 13.73 | 75 | 95 | 98 | 4.20 | - | - | |
| 24 | 07 | - | - | - | 31 | 6.23 | 2.08 | - | - | - | 1.5 | 8.3 | 10.2 | 320 | 2700 | 3240 | 1.78 | 11.84 | 13.78 | 75 | 95 | 98 | 4.20 | - | - | |
| 10 | 10 | - | - | - | 20 | 3.60 | 3.60 | - | - | - | 1.5 | 7.2 | 10.0 | 320 | 2100 | 3200 | 1.78 | 9.21 | 13.61 | 75 | 95 | 98 | 4.30 | - | - | |
| 13 | 10 | - | - | - | 23 | 4.22 | 3.38 | - | - | - | 1.5 | 7.6 | 10.1 | 320 | 2320 | 3210 | 1.78 | 10.18 | 13.65 | 75 | 95 | 98 | 4.30 | - | - | |
| 16 | 10 | - | - | - | 26 | 4.57 | 3.33 | - | - | - | 1.5 | 7.9 | 10.1 | 320 | 2480 | 3230 | 1.78 | 10.88 | 13.73 | 75 | 95 | 98 | 4.30 | - | - | |
| 18 | 10 | - | - | - | 28 | 4.74 | 3.16 | - | - | - | 1.5 | 7.9 | 10.1 | 320 | 2480 | 3230 | 1.78 | 10.88 | 13.73 | 75 | 95 | 98 | 4.30 | - | - | |
| 22 | 10 | - | - | - | 32 | 5.28 | 3.02 | - | - | - | 1.5 | 8.3 | 10.2 | 320 | 2700 | 3240 | 1.78 | 11.84 | 13.78 | 75 | 95 | 98 | 4.20 | - | - | |
| 24 | 10 | - | - | - | 34 | 5.76 | 2.84 | - | - | - | 1.5 | 8.6 | 10.2 | 320 | 2860 | 3250 | 1.78 | 12.54 | 13.82 | 75 | 95 | 98 | 4.20 | - | - | |
| 13 | 13 | - | - | - | 26 | 3.95 | 3.95 | - | - | - | 1.5 | 7.9 | 10.1 | 320 | 2480 | 3230 | 1.78 | 10.88 | 13.73 | 75 | 95 | 98 | 4.30 | - | - | |
| 16 | 13 | - | - | - | 29 | 4.35 | 3.95 | - | - | - | 1.5 | 8.3 | 10.2 | 320 | 2700 | 3240 | 1.78 | 11.84 | 13.78 | 75 | 95 | 98 | 4.30 | - | - | |
| 18 | 13 | - | - | - | 31 | 4.53 | 3.77 | - | - | - | 1.5 | 8.3 | 10.2 | 320 | 2700 | 3240 | 1.78 | 11.84 | 13.78 | 75 | 95 | 98 | 4.30 | - | - | |
| 22 | 13 | - | - | - | 35 | 5.02 | 3.58 | - | - | - | 1.5 | 8.6 | 10.2 | 320 | 2860 | 3250 | 1.78 | 12.54 | 13.82 | 75 | 95 | 98 | 4.20 | - | - | |
| 24 | 13 | - | - | - | 37 | 5.32 | 3.28 | - | - | - | 1.5 | 8.6 | 10.2 | 320 | 2860 | 3250 | 1.78 | 12.54 | 13.82 | 75 | 95 | 98 | 4.20 | - | - | |
| 16 | 16 | - | - | - | 32 | 4.30 | 4.30 | - | - | - | 1.5 | 8.6 | 10.2 | 320 | 2860 | 3250 | 1.78 | 12.54 | 13.82 | 75 | 95 | 98 | 4.30 | - | - | |
| 18 | 16 | - | - | - | 34 | 4.49 | 4.11 | - | - | - | 1.5 | 8.6 | 10.2 | 320 | 2860 | 3250 | 1.78 | 12.54 | 13.82 | 75 | 95 | 98 | 4.30 | - | - | |
| 22 | 16 | - | - | - | 38 | 4.82 | 3.78 | - | - | - | 1.5 | 8.6 | 10.2 | 320 | 2860 | 3250 | 1.78 | 12.54 | 13.82 | 75 | 95 | 98 | 4.20 | - | - | |
| 24 | 16 | - | - | - | 40 | 5.12 | 3.48 | - | - | - | 1.5 | 8.6 | 10.2 | 320 | 2860 | 3250 | 1.78 | 12.54 | 13.82 | 75 | 95 | 98 | 4.20 | - | - | |
| 18 | 18 | - | - | - | 36 | 4.30 | 4.30 | - | - | - | 1.5 | 8.6 | 10.2 | 320 | 2860 | 3250 | 1.78 | 12.54 | 13.82 | 75 | 95 | 98 | 4.29 | - | - | |
| 22 | 18 | - | - | - | 40 | 4.63 | 3.97 | - | - | - | 1.5 | 8.6 | 10.2 | 320 | 2860 | 3250 | 1.78 | 12.54 | 13.82 | 75 | 95 | 98 | 4.19 | - | - | |
| 24 | 18 | - | - | - | 42 | 4.94 | 3.66 | - | - | - | 1.5 | 8.6 | 10.2 | 320 | 2860 | 3250 | 1.78 | 12.54 | 13.82 | 75 | 95 | 98 | 4.19 | - | - | |

Heating : Capacity test condition, inside : 20 °C (Db), outside : 7 °C (Db) / 6 °C (Wb)
Piping length : 5 m. per indoor unit.

Operation mode : Heating

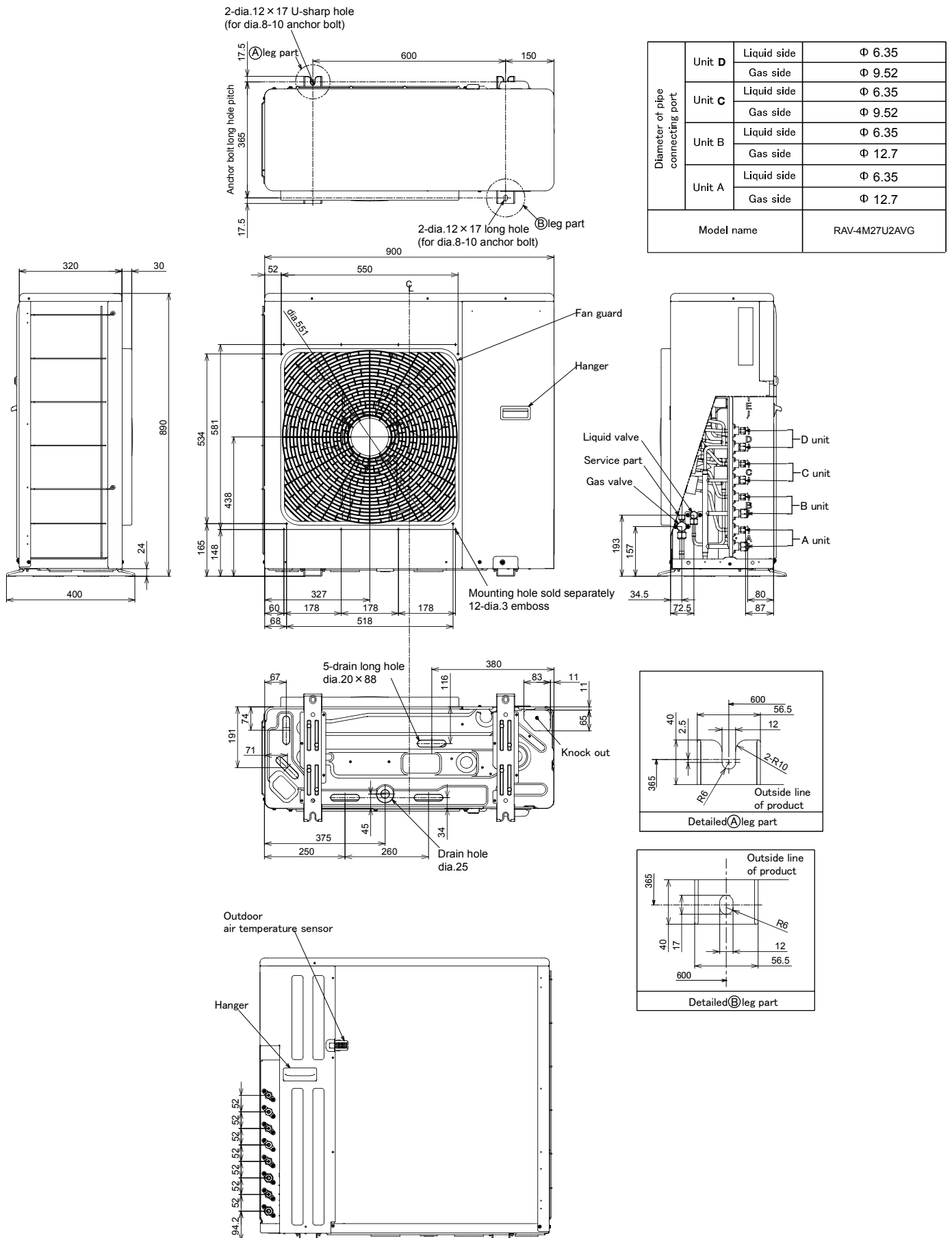
Power supply voltage : 240V

| Operation status | Indoor unit | | | | | Unit capacity (kW) | | | | | Heating capacity (kW) | | | Power consumption (W) | | | Operating current (A) | | | Power factor (%) | | | SCOP Rate | |
|------------------|-------------|-----|-----|-----|---|--------------------|------|------|------|------|-----------------------|-----|------|-----------------------|-----|------|-----------------------|------|------|------------------|-----|------|-----------|------|
| | A | B | C | D | E | ΣkBTU | A | B | C | D | E | Min | Rate | Max | Min | Rate | Max | Min | Rate | Max | Min | Rate | | Max |
| 4 units | 16 | 13 | 10 | 10 | - | 49 | 2.65 | 2.41 | 1.92 | 1.92 | - | 2.9 | 8.9 | 11.7 | 501 | 1905 | 2600 | 2.32 | 8.36 | 11.05 | 90 | 95 | 98 | 4.26 |
| | 18 | 13 | 10 | 10 | - | 51 | 2.81 | 2.34 | 1.87 | 1.87 | - | 2.9 | 8.9 | 11.7 | 501 | 1905 | 2600 | 2.32 | 8.36 | 11.05 | 90 | 95 | 98 | 4.25 |
| | 16 | 16 | 10 | 10 | - | 52 | 2.61 | 2.61 | 1.89 | 1.89 | - | 2.9 | 9.0 | 11.7 | 501 | 1927 | 2600 | 2.32 | 8.45 | 11.05 | 90 | 95 | 98 | 4.26 |
| | 18 | 16 | 10 | 10 | - | 54 | 2.77 | 2.54 | 1.85 | 1.85 | - | 2.9 | 9.0 | 11.7 | 501 | 1927 | 2600 | 2.32 | 8.45 | 11.05 | 90 | 95 | 98 | 4.25 |
| | 13 | 13 | 13 | 10 | - | 49 | 2.34 | 2.34 | 2.34 | 1.87 | - | 2.9 | 8.9 | 11.7 | 501 | 1905 | 2600 | 2.32 | 8.36 | 11.05 | 90 | 95 | 98 | 4.26 |
| | 16 | 13 | 13 | 10 | - | 52 | 2.54 | 2.31 | 2.31 | 1.85 | - | 2.9 | 9.0 | 11.7 | 501 | 1927 | 2600 | 2.32 | 8.45 | 11.05 | 90 | 95 | 98 | 4.26 |
| | 18 | 13 | 13 | 10 | - | 54 | 2.70 | 2.25 | 2.25 | 1.80 | - | 2.9 | 9.0 | 11.7 | 501 | 1927 | 2600 | 2.32 | 8.45 | 11.05 | 90 | 95 | 98 | 4.25 |
| | 13 | 13 | 13 | 13 | - | 52 | 2.25 | 2.25 | 2.25 | 2.25 | - | 2.9 | 9.0 | 11.7 | 501 | 1927 | 2600 | 2.32 | 8.45 | 11.05 | 90 | 95 | 98 | 4.26 |
| | 22 | 05* | 05* | 05* | - | 37 | 4.79 | 1.37 | 1.37 | 1.37 | - | 2.9 | 8.9 | 11.7 | 501 | 1910 | 2600 | 2.32 | 8.38 | 11.05 | 90 | 95 | 98 | 4.12 |
| | 24 | 05* | 05* | 05* | - | 39 | 5.11 | 1.26 | 1.26 | 1.26 | - | 2.9 | 8.9 | 11.7 | 501 | 1920 | 2600 | 2.32 | 8.42 | 11.05 | 90 | 95 | 98 | 4.12 |
| | 22 | 07* | 05* | 05* | - | 39 | 4.55 | 1.75 | 1.30 | 1.30 | - | 2.9 | 8.9 | 11.7 | 501 | 1920 | 2600 | 2.32 | 8.42 | 11.05 | 90 | 95 | 98 | 4.12 |
| | 24 | 07* | 05* | 05* | - | 41 | 4.87 | 1.62 | 1.20 | 1.20 | - | 2.9 | 8.9 | 11.7 | 501 | 1920 | 2600 | 2.32 | 8.42 | 11.05 | 90 | 95 | 98 | 4.12 |
| | 22 | 10* | 05* | 05* | - | 42 | 4.15 | 2.37 | 1.19 | 1.19 | - | 2.9 | 8.9 | 11.7 | 501 | 1920 | 2600 | 2.32 | 8.42 | 11.05 | 90 | 95 | 98 | 4.12 |
| | 24 | 10* | 05* | 05* | - | 44 | 4.48 | 2.21 | 1.11 | 1.11 | - | 2.9 | 8.9 | 11.7 | 501 | 1920 | 2600 | 2.32 | 8.42 | 11.05 | 90 | 95 | 98 | 4.12 |
| | 22 | 13* | 05* | 05* | - | 45 | 3.89 | 2.78 | 1.11 | 1.11 | - | 2.9 | 8.9 | 11.7 | 501 | 1920 | 2600 | 2.32 | 8.42 | 11.05 | 90 | 95 | 98 | 4.12 |
| | 24 | 13* | 05* | 05* | - | 47 | 4.22 | 2.60 | 1.04 | 1.04 | - | 2.9 | 8.9 | 11.7 | 501 | 1920 | 2600 | 2.32 | 8.42 | 11.05 | 90 | 95 | 98 | 4.12 |
| | 22 | 07* | 07* | 05* | - | 41 | 4.33 | 1.67 | 1.67 | 1.24 | - | 2.9 | 8.9 | 11.7 | 501 | 1920 | 2600 | 2.32 | 8.42 | 11.05 | 90 | 95 | 98 | 4.12 |
| | 24 | 07* | 07* | 05* | - | 43 | 4.65 | 1.55 | 1.55 | 1.15 | - | 2.9 | 8.9 | 11.7 | 501 | 1920 | 2600 | 2.32 | 8.42 | 11.05 | 90 | 95 | 98 | 4.12 |
| | 22 | 10* | 07* | 05* | - | 44 | 3.97 | 2.27 | 1.53 | 1.13 | - | 2.9 | 8.9 | 11.7 | 501 | 1920 | 2600 | 2.32 | 8.42 | 11.05 | 90 | 95 | 98 | 4.12 |
| | 24 | 10* | 07* | 05* | - | 46 | 4.29 | 2.12 | 1.43 | 1.06 | - | 2.9 | 8.9 | 11.7 | 501 | 1920 | 2600 | 2.32 | 8.42 | 11.05 | 90 | 95 | 98 | 4.12 |
| | 22 | 13* | 07* | 05* | - | 47 | 3.73 | 2.66 | 1.44 | 1.07 | - | 2.9 | 8.9 | 11.7 | 501 | 1920 | 2600 | 2.32 | 8.42 | 11.05 | 90 | 95 | 98 | 4.12 |
| | 24 | 13* | 07* | 05* | - | 49 | 4.05 | 2.50 | 1.35 | 1.00 | - | 2.9 | 8.9 | 11.7 | 501 | 1920 | 2600 | 2.32 | 8.42 | 11.05 | 90 | 95 | 98 | 4.12 |
| | 22 | 10* | 10* | 05* | - | 47 | 3.66 | 2.09 | 2.09 | 1.05 | - | 2.9 | 8.9 | 11.7 | 501 | 1920 | 2600 | 2.32 | 8.42 | 11.05 | 90 | 95 | 98 | 4.12 |
| | 24 | 10* | 10* | 05* | - | 49 | 3.98 | 1.97 | 1.97 | 0.98 | - | 2.9 | 8.9 | 11.7 | 501 | 1920 | 2600 | 2.32 | 8.42 | 11.05 | 90 | 95 | 98 | 4.12 |
| | 22 | 13* | 10* | 05* | - | 50 | 3.46 | 2.47 | 1.98 | 0.99 | - | 2.9 | 8.9 | 11.7 | 501 | 1920 | 2600 | 2.32 | 8.42 | 11.05 | 90 | 95 | 98 | 4.12 |
| | 24 | 13* | 10* | 05* | - | 52 | 3.77 | 2.33 | 1.86 | 0.93 | - | 2.9 | 8.9 | 11.7 | 501 | 1920 | 2600 | 2.32 | 8.42 | 11.05 | 90 | 95 | 98 | 4.12 |
| | 22 | 07* | 07* | 07* | - | 43 | 4.13 | 1.59 | 1.59 | 1.59 | - | 2.6 | 8.9 | 11.7 | 480 | 1905 | 2600 | 2.22 | 8.36 | 11.05 | 90 | 95 | 98 | 4.12 |
| | 24 | 07* | 07* | 07* | - | 45 | 4.45 | 1.48 | 1.48 | 1.48 | - | 2.6 | 8.9 | 11.7 | 480 | 1905 | 2600 | 2.22 | 8.36 | 11.05 | 90 | 95 | 98 | 4.12 |
| | 22 | 10* | 07* | 07* | - | 46 | 3.80 | 2.17 | 1.47 | 1.47 | - | 2.6 | 8.9 | 11.7 | 480 | 1905 | 2600 | 2.22 | 8.36 | 11.05 | 90 | 95 | 98 | 4.12 |
| | 24 | 10* | 07* | 07* | - | 48 | 4.12 | 2.03 | 1.37 | 1.37 | - | 2.6 | 8.9 | 11.7 | 480 | 1905 | 2600 | 2.22 | 8.36 | 11.05 | 90 | 95 | 98 | 4.12 |
| | 22 | 13* | 07* | 07* | - | 49 | 3.58 | 2.56 | 1.38 | 1.38 | - | 2.6 | 8.9 | 11.7 | 480 | 1905 | 2600 | 2.22 | 8.36 | 11.05 | 90 | 95 | 98 | 4.12 |
| | 24 | 13* | 07* | 07* | - | 51 | 3.90 | 2.41 | 1.30 | 1.30 | - | 2.6 | 8.9 | 11.7 | 480 | 1905 | 2600 | 2.22 | 8.36 | 11.05 | 90 | 95 | 98 | 4.12 |
| | 22 | 10* | 10* | 07* | - | 49 | 3.52 | 2.01 | 2.01 | 1.36 | - | 2.6 | 8.9 | 11.7 | 480 | 1905 | 2600 | 2.22 | 8.36 | 11.05 | 90 | 95 | 98 | 4.12 |
| | 24 | 10* | 10* | 07* | - | 51 | 3.83 | 1.89 | 1.89 | 1.28 | - | 2.6 | 8.9 | 11.7 | 480 | 1905 | 2600 | 2.22 | 8.36 | 11.05 | 90 | 95 | 98 | 4.12 |
| | 22 | 13* | 10* | 07* | - | 52 | 3.37 | 2.41 | 1.93 | 1.30 | - | 2.6 | 9.0 | 11.7 | 480 | 1927 | 2600 | 2.22 | 8.45 | 11.05 | 90 | 95 | 98 | 4.12 |
| | 24 | 13* | 10* | 07* | - | 54 | 3.68 | 2.27 | 1.82 | 1.23 | - | 2.6 | 9.0 | 11.7 | 480 | 1927 | 2600 | 2.22 | 8.45 | 11.05 | 90 | 95 | 98 | 4.12 |
| | 22 | 10* | 10* | 10* | - | 52 | 3.32 | 1.89 | 1.89 | 1.89 | - | 2.6 | 9.0 | 11.7 | 480 | 1927 | 2600 | 2.22 | 8.45 | 11.05 | 90 | 95 | 98 | 4.12 |
| | 24 | 10* | 10* | 10* | - | 54 | 3.63 | 1.79 | 1.79 | 1.79 | - | 2.6 | 9.0 | 11.7 | 480 | 1927 | 2600 | 2.22 | 8.45 | 11.05 | 90 | 95 | 98 | 4.12 |

* Applicable FCU are "PKV" series and "BKV" series only.
 Heating : Capacity test condition, inside : 20 °C (Db), outside : 7 °C (Db) / 6 °C (Wb)
 Piping length : 5 m. per indoor unit.

3. Dimension

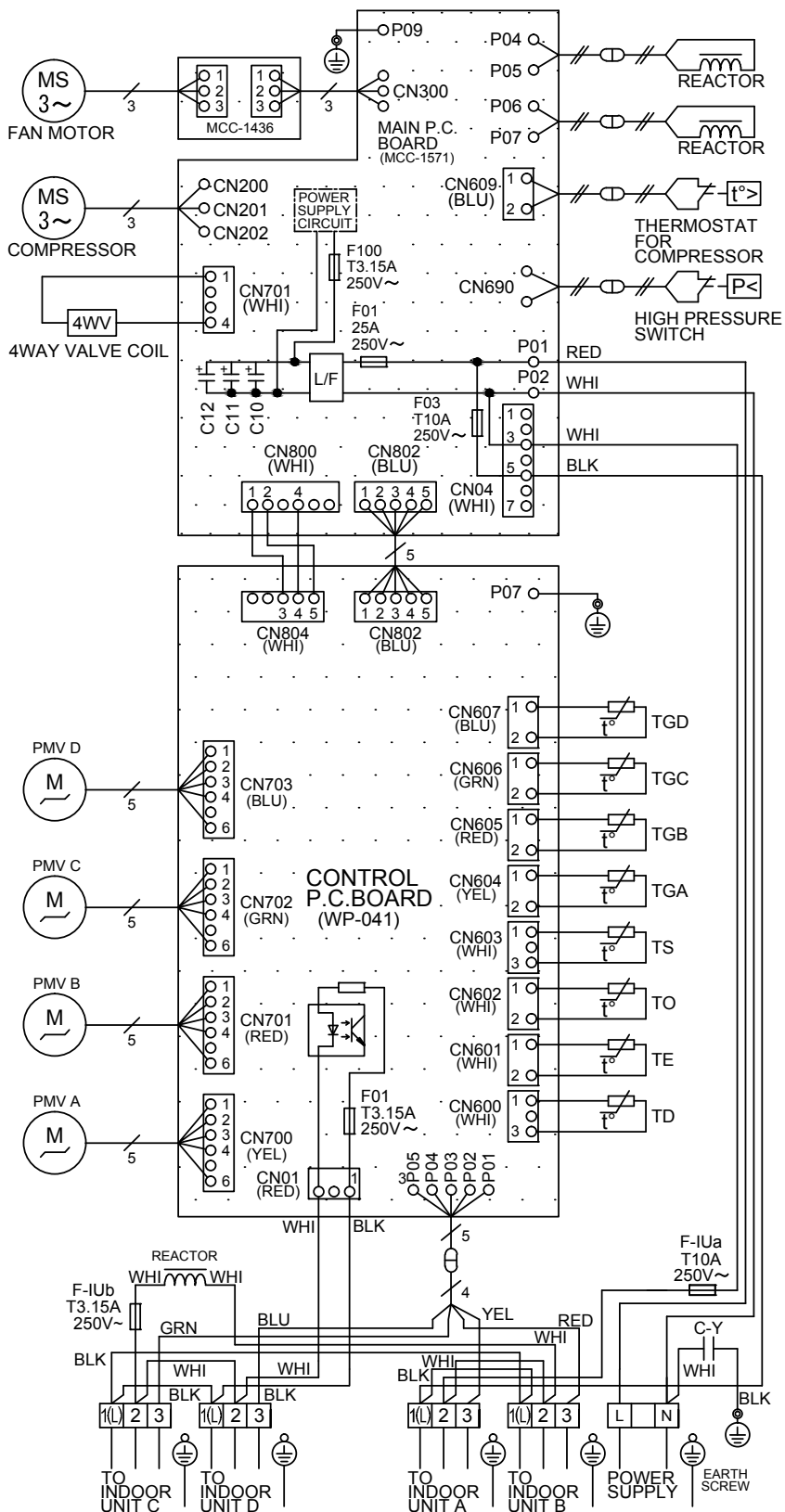
RAS-4M27U2AVG-E



| | | | |
|----------------------------------|-------------|---------------|--------|
| Diameter of pipe connecting port | Unit D | Liquid side | Φ 6.35 |
| | | Gas side | Φ 9.52 |
| | Unit C | Liquid side | Φ 6.35 |
| | | Gas side | Φ 9.52 |
| | Unit B | Liquid side | Φ 6.35 |
| | | Gas side | Φ 12.7 |
| Unit A | Liquid side | Φ 6.35 | |
| | Gas side | Φ 12.7 | |
| Model name | | RAV-4M27U2AVG | |

4. Wiring diagrams

RAS-4M27U2AVG-E



WIRING DIAGRAM

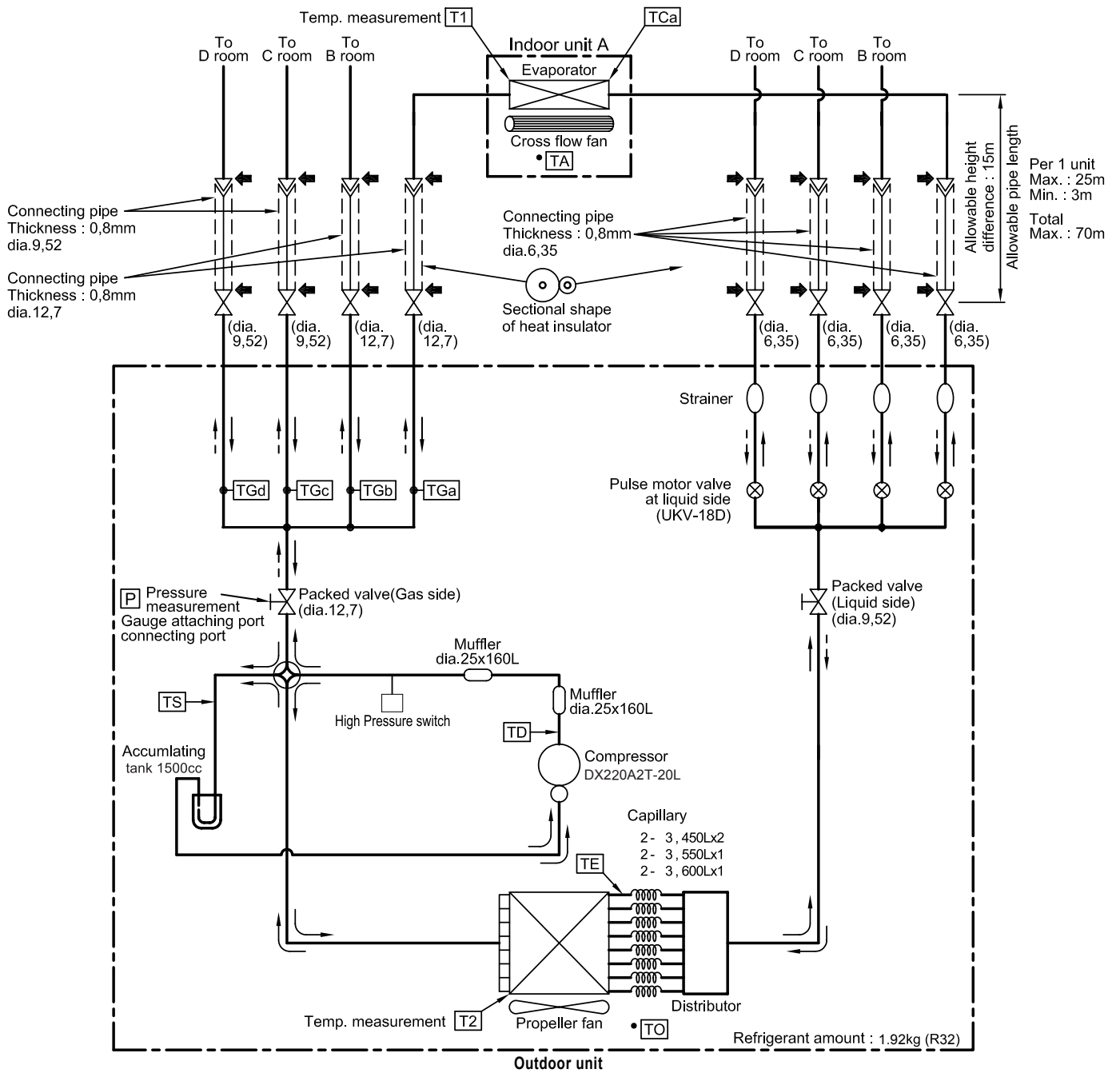
TERMINAL OF COMPRESSOR
 WHITE(S) BLACK(C)
 THE SIGN IN () IS DISPLAYED IN THE TERMINAL COVER.
 RED(R)

| Symbol | Part name |
|--------------|---------------------------------|
| PMV | PULSE MOTOR VALVE |
| TD | DISCHARGE PIPE TEMP. SENSOR |
| TE | CONDENSER PIPE TEMP. SENSOR |
| TO | OUTDOOR TEMP. SENSOR |
| TS | SUCTION PIPE TEMP. SENSOR |
| TGA~TGD | GAS SIDE PIPE TEMP. SENSOR A~D |
| L / F | LINE FILTER |
| F-IUa, F-IUb | PROTECTION CONNECTING FUSE a, b |
| C-Y | Y-CAPACITOR |

| COLOR IDENTIFICATION | |
|----------------------|------------|
| BLK:BLACK | GRN:GREEN |
| BLU:BLUE | WHI:WHITE |
| RED:RED | YEL:YELLOW |
| GRY:GRAY | |

5. REFRIGERANT CYCLE DIAGRAM

RAS-4M27U2AVG-E



NOTE :

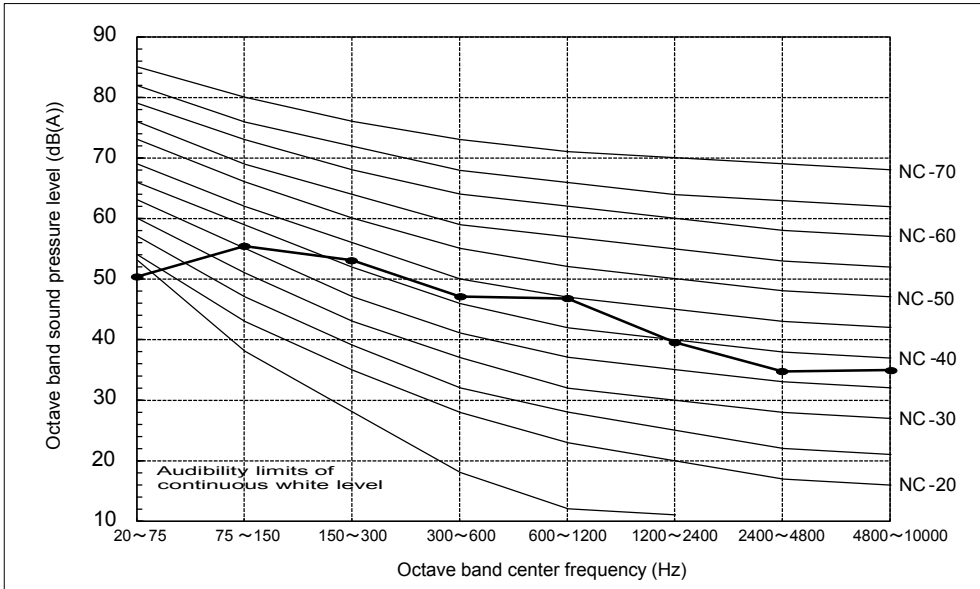
- You need not add refrigerant if the piping length is 40m or less.
- If the length exceeds 41m, add 20g of refrigerant per 1 meter over.
- Connection of only one indoor unit is unavailable. Two or more indoor units should be connected.

6. Sound Characteristics (NC Curve)

RAS-4M27U2AVG-E

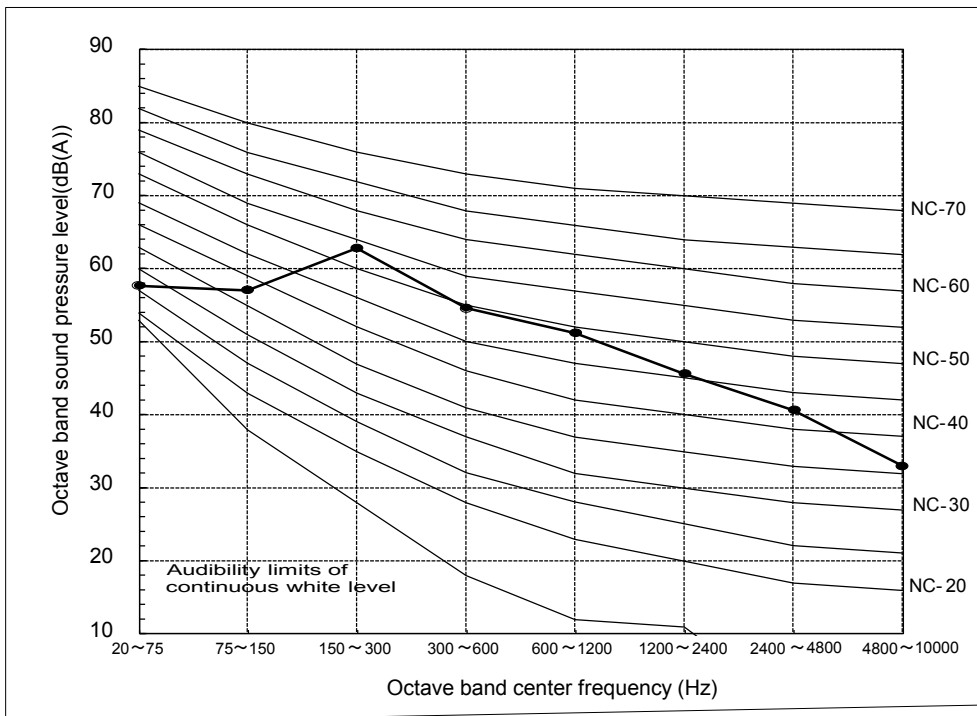
(Cooling)

| | |
|------------------------------|---------|
| Fan Tap | Cooling |
| Sound pressure level (dB(A)) | 48 |



(Heating)

| | |
|------------------------------|---------|
| Fan Tap | Heating |
| Sound pressure level (dB(A)) | 49 |



7. Capacity table

Cooling

4 - rooms multisplit : 1 - unit operation

Indoor units : 05 type 18 type
 07 type 22 type
 10 type 24 type
 13 type
 16 type

Outdoor unit : RAS-4M27U2AVG-E

| Combination (Capacity) | Outdoor air temp. [°C DB] | Indoor air temp. [°C WB] | | | | | | | | | | | |
|---------------------------|---------------------------------|--------------------------|------------|------------|------------|------------|------------|------------|------------|------------|------------|------------|------------|
| | | 14 | | 16 | | 18 | | 19 | | 22 | | 24 | |
| | | TC [kW] | PI [kW] | TC [kW] | PI [kW] | TC [kW] | PI [kW] | TC [kW] | PI [kW] | TC [kW] | PI [kW] | TC [kW] | PI [kW] |
| 05 | 46 | 1.17 | 0.70 | 1.24 | 0.71 | 1.31 | 0.72 | 1.35 | 0.73 | 1.45 | 0.74 | 1.52 | 0.75 |
| | 43 | 1.22 | 0.68 | 1.28 | 0.69 | 1.35 | 0.70 | 1.39 | 0.70 | 1.49 | 0.72 | 1.56 | 0.73 |
| | 40 | 1.26 | 0.66 | 1.33 | 0.67 | 1.40 | 0.68 | 1.43 | 0.68 | 1.53 | 0.70 | 1.60 | 0.71 |
| | 35 | 1.33 | 0.61 | 1.40 | 0.62 | 1.47 | 0.63 | 1.50 | 0.64 | 1.60 | 0.65 | 1.67 | 0.66 |
| | 32 | 1.37 | 0.60 | 1.44 | 0.61 | 1.51 | 0.62 | 1.54 | 0.62 | 1.65 | 0.64 | 1.72 | 0.65 |
| | 25 | 1.47 | 0.55 | 1.54 | 0.55 | 1.61 | 0.57 | 1.64 | 0.57 | 1.74 | 0.59 | 1.81 | 0.59 |
| | 22 | 1.51 | 0.52 | 1.58 | 0.53 | 1.65 | 0.55 | 1.68 | 0.55 | 1.78 | 0.57 | 1.86 | 0.57 |
| 07 | 46 | 1.56 | 0.71 | 1.66 | 0.72 | 1.75 | 0.73 | 1.80 | 0.74 | 1.93 | 0.75 | 2.03 | 0.76 |
| | 43 | 1.62 | 0.69 | 1.71 | 0.70 | 1.81 | 0.71 | 1.85 | 0.72 | 1.99 | 0.73 | 2.08 | 0.74 |
| | 40 | 1.68 | 0.67 | 1.77 | 0.68 | 1.86 | 0.69 | 1.91 | 0.69 | 2.05 | 0.71 | 2.14 | 0.72 |
| | 35 | 1.77 | 0.62 | 1.86 | 0.63 | 1.95 | 0.64 | 2.00 | 0.65 | 2.14 | 0.67 | 2.23 | 0.68 |
| | 32 | 1.83 | 0.61 | 1.92 | 0.61 | 2.01 | 0.63 | 2.06 | 0.63 | 2.19 | 0.65 | 2.29 | 0.66 |
| | 25 | 1.96 | 0.55 | 2.05 | 0.56 | 2.14 | 0.58 | 2.19 | 0.58 | 2.32 | 0.60 | 2.42 | 0.60 |
| | 22 | 2.01 | 0.53 | 2.10 | 0.54 | 2.20 | 0.55 | 2.24 | 0.55 | 2.38 | 0.57 | 2.47 | 0.58 |
| 10 | 46 | 2.11 | 0.82 | 2.24 | 0.83 | 2.36 | 0.84 | 2.42 | 0.85 | 2.61 | 0.87 | 2.74 | 0.88 |
| | 43 | 2.19 | 0.80 | 2.31 | 0.81 | 2.44 | 0.82 | 2.50 | 0.83 | 2.69 | 0.84 | 2.81 | 0.85 |
| | 40 | 2.26 | 0.77 | 2.39 | 0.78 | 2.51 | 0.79 | 2.58 | 0.80 | 2.76 | 0.82 | 2.89 | 0.83 |
| | 35 | 2.39 | 0.72 | 2.51 | 0.73 | 2.64 | 0.74 | 2.70 | 0.75 | 2.89 | 0.77 | 3.01 | 0.78 |
| | 32 | 2.46 | 0.70 | 2.59 | 0.71 | 2.71 | 0.73 | 2.78 | 0.73 | 2.96 | 0.75 | 3.09 | 0.76 |
| | 25 | 2.64 | 0.64 | 2.77 | 0.65 | 2.89 | 0.67 | 2.95 | 0.67 | 3.14 | 0.69 | 3.26 | 0.70 |
| | 22 | 2.72 | 0.61 | 2.84 | 0.62 | 2.97 | 0.64 | 3.03 | 0.64 | 3.21 | 0.66 | 3.34 | 0.67 |
| 13 | 46 | 2.90 | 1.31 | 3.07 | 1.33 | 3.24 | 1.35 | 3.32 | 1.36 | 3.58 | 1.39 | 3.75 | 1.41 |
| | 43 | 3.00 | 1.27 | 3.17 | 1.29 | 3.34 | 1.31 | 3.43 | 1.32 | 3.68 | 1.35 | 3.85 | 1.37 |
| | 40 | 3.10 | 1.23 | 3.27 | 1.25 | 3.44 | 1.27 | 3.53 | 1.28 | 3.78 | 1.31 | 3.96 | 1.32 |
| | 35 | 3.27 | 1.15 | 3.44 | 1.17 | 3.61 | 1.19 | 3.70 | 1.20 | 3.96 | 1.23 | 4.13 | 1.25 |
| | 32 | 3.38 | 1.12 | 3.55 | 1.13 | 3.72 | 1.16 | 3.81 | 1.16 | 4.06 | 1.20 | 4.23 | 1.21 |
| | 25 | 3.62 | 1.02 | 3.79 | 1.03 | 3.96 | 1.06 | 4.05 | 1.07 | 4.30 | 1.10 | 4.47 | 1.11 |
| | 22 | 3.72 | 0.98 | 3.89 | 0.99 | 4.06 | 1.02 | 4.15 | 1.02 | 4.40 | 1.06 | 4.58 | 1.07 |
| 16 | 46 | 3.52 | 1.81 | 3.73 | 1.83 | 3.94 | 1.86 | 4.04 | 1.88 | 4.35 | 1.91 | 4.56 | 1.94 |
| | 43 | 3.65 | 1.75 | 3.85 | 1.78 | 4.06 | 1.80 | 4.17 | 1.82 | 4.48 | 1.85 | 4.69 | 1.88 |
| | 40 | 3.77 | 1.69 | 3.98 | 1.72 | 4.19 | 1.75 | 4.29 | 1.76 | 4.60 | 1.80 | 4.81 | 1.82 |
| | 35 | 3.98 | 1.58 | 4.19 | 1.61 | 4.40 | 1.64 | 4.50 | 1.65 | 4.81 | 1.69 | 5.02 | 1.71 |
| | 32 | 4.11 | 1.54 | 4.32 | 1.56 | 4.52 | 1.60 | 4.63 | 1.60 | 4.94 | 1.65 | 5.15 | 1.67 |
| | 25 | 4.40 | 1.41 | 4.61 | 1.42 | 4.82 | 1.46 | 4.92 | 1.47 | 5.23 | 1.52 | 5.44 | 1.53 |
| | 22 | 4.53 | 1.35 | 4.73 | 1.36 | 4.94 | 1.41 | 5.05 | 1.41 | 5.35 | 1.46 | 5.57 | 1.47 |
| 18 | 46 | 3.91 | 2.14 | 4.14 | 2.17 | 4.37 | 2.20 | 4.49 | 2.22 | 4.83 | 2.26 | 5.07 | 2.29 |
| | 43 | 4.05 | 2.07 | 4.28 | 2.10 | 4.51 | 2.13 | 4.63 | 2.15 | 4.97 | 2.19 | 5.21 | 2.22 |
| | 40 | 4.19 | 2.00 | 4.42 | 2.03 | 4.65 | 2.06 | 4.77 | 2.08 | 5.11 | 2.12 | 5.35 | 2.15 |
| | 35 | 4.42 | 1.87 | 4.65 | 1.90 | 4.88 | 1.93 | 5.00 | 1.95 | 5.35 | 2.00 | 5.58 | 2.03 |
| | 32 | 4.56 | 1.82 | 4.79 | 1.84 | 5.03 | 1.89 | 5.14 | 1.89 | 5.48 | 1.95 | 5.72 | 1.97 |
| | 25 | 4.89 | 1.66 | 5.12 | 1.68 | 5.35 | 1.73 | 5.47 | 1.73 | 5.81 | 1.79 | 6.04 | 1.81 |
| | 22 | 5.03 | 1.59 | 5.26 | 1.61 | 5.49 | 1.66 | 5.61 | 1.66 | 5.95 | 1.72 | 6.18 | 1.74 |
| 22 | 46 | 4.69 | 2.21 | 4.97 | 2.24 | 5.25 | 2.27 | 5.39 | 2.30 | 5.80 | 2.34 | 6.08 | 2.37 |
| | 43 | 4.86 | 2.14 | 5.14 | 2.17 | 5.42 | 2.21 | 5.56 | 2.22 | 5.97 | 2.27 | 6.25 | 2.30 |
| | 40 | 5.03 | 2.07 | 5.31 | 2.10 | 5.58 | 2.14 | 5.72 | 2.15 | 6.14 | 2.20 | 6.42 | 2.23 |
| | 35 | 5.31 | 1.94 | 5.58 | 1.97 | 5.86 | 2.00 | 6.00 | 2.02 | 6.41 | 2.07 | 6.69 | 2.10 |
| | 32 | 5.48 | 1.89 | 5.75 | 1.91 | 6.03 | 1.95 | 6.17 | 1.96 | 6.58 | 2.02 | 6.86 | 2.04 |
| | 25 | 5.87 | 1.72 | 6.15 | 1.74 | 6.42 | 1.79 | 6.56 | 1.79 | 6.97 | 1.85 | 7.25 | 1.87 |
| | 22 | 6.04 | 1.65 | 6.31 | 1.67 | 6.59 | 1.72 | 6.73 | 1.72 | 7.14 | 1.79 | 7.42 | 1.80 |
| 24 | 46 | 5.56 | 2.62 | 5.88 | 2.66 | 6.21 | 2.69 | 6.38 | 2.72 | 6.87 | 2.77 | 7.19 | 2.81 |
| | 43 | 5.75 | 2.54 | 6.08 | 2.57 | 6.41 | 2.61 | 6.57 | 2.63 | 7.06 | 2.68 | 7.39 | 2.72 |
| | 40 | 5.95 | 2.45 | 6.28 | 2.49 | 6.61 | 2.53 | 6.77 | 2.55 | 7.26 | 2.60 | 7.59 | 2.64 |
| | 35 | 6.28 | 2.30 | 6.61 | 2.33 | 6.94 | 2.37 | 7.10 | 2.39 | 7.59 | 2.45 | 7.92 | 2.48 |
| | 32 | 6.48 | 2.23 | 6.81 | 2.26 | 7.14 | 2.31 | 7.30 | 2.32 | 7.79 | 2.39 | 8.12 | 2.41 |
| | 25 | 6.94 | 2.04 | 7.27 | 2.06 | 7.60 | 2.12 | 7.76 | 2.12 | 8.25 | 2.19 | 8.58 | 2.22 |
| | 22 | 7.14 | 1.95 | 7.47 | 1.98 | 7.80 | 2.04 | 7.96 | 2.04 | 8.45 | 2.11 | 8.78 | 2.13 |

Cooling

4 - rooms multisplit : 2 - unit operation

Indoor units : 05 type + 05 type 16 type + 05 type
 07 type + 05 type 18 type + 05 type
 10 type + 05 type 22 type + 05 type
 13 type + 05 type 24 type + 05 type

Outdoor unit : RAS-4M27U2AVG-E

| Combination (Capacity) | Outdoor air temp. [°C DB] | Indoor air temp. [°C WB] | | | | | | | | | | | |
|---------------------------|---------------------------------|--------------------------|------------|------------|------------|------------|------------|------------|------------|------------|------------|------------|------------|
| | | 14 | | 16 | | 18 | | 19 | | 22 | | 24 | |
| | | TC [kW] | PI [kW] | TC [kW] | PI [kW] | TC [kW] | PI [kW] | TC [kW] | PI [kW] | TC [kW] | PI [kW] | TC [kW] | PI [kW] |
| 05+05 | 46 | 2.35 | 0.88 | 2.49 | 0.89 | 2.62 | 0.90 | 2.69 | 0.91 | 2.90 | 0.93 | 3.04 | 0.94 |
| | 43 | 2.43 | 0.85 | 2.57 | 0.86 | 2.71 | 0.87 | 2.78 | 0.88 | 2.98 | 0.90 | 3.12 | 0.91 |
| | 40 | 2.51 | 0.82 | 2.65 | 0.83 | 2.79 | 0.85 | 2.86 | 0.85 | 3.07 | 0.87 | 3.21 | 0.88 |
| | 35 | 2.65 | 0.77 | 2.79 | 0.78 | 2.93 | 0.79 | 3.00 | 0.80 | 3.21 | 0.82 | 3.35 | 0.83 |
| | 32 | 2.74 | 0.75 | 2.88 | 0.76 | 3.02 | 0.77 | 3.09 | 0.78 | 3.29 | 0.80 | 3.43 | 0.81 |
| | 25 | 2.93 | 0.68 | 3.07 | 0.69 | 3.21 | 0.71 | 3.28 | 0.71 | 3.49 | 0.73 | 3.63 | 0.74 |
| | 22 | 3.02 | 0.65 | 3.16 | 0.66 | 3.30 | 0.68 | 3.36 | 0.68 | 3.57 | 0.71 | 3.71 | 0.71 |
| 07+05 | 46 | 2.74 | 1.10 | 2.90 | 1.11 | 3.06 | 1.13 | 3.14 | 1.14 | 3.38 | 1.16 | 3.55 | 1.18 |
| | 43 | 2.84 | 1.06 | 3.00 | 1.08 | 3.16 | 1.09 | 3.24 | 1.10 | 3.48 | 1.12 | 3.64 | 1.14 |
| | 40 | 2.93 | 1.03 | 3.10 | 1.04 | 3.26 | 1.06 | 3.34 | 1.07 | 3.58 | 1.09 | 3.74 | 1.10 |
| | 35 | 3.10 | 0.96 | 3.26 | 0.98 | 3.42 | 0.99 | 3.50 | 1.00 | 3.74 | 1.02 | 3.90 | 1.04 |
| | 32 | 3.19 | 0.93 | 3.36 | 0.95 | 3.52 | 0.97 | 3.60 | 0.97 | 3.84 | 1.00 | 4.00 | 1.01 |
| | 25 | 3.42 | 0.85 | 3.58 | 0.86 | 3.75 | 0.89 | 3.83 | 0.89 | 4.07 | 0.92 | 4.23 | 0.93 |
| | 22 | 3.52 | 0.82 | 3.68 | 0.83 | 3.84 | 0.85 | 3.93 | 0.85 | 4.16 | 0.88 | 4.33 | 0.89 |
| 10+05 | 46 | 3.29 | 1.59 | 3.48 | 1.61 | 3.67 | 1.63 | 3.77 | 1.65 | 4.06 | 1.68 | 4.26 | 1.70 |
| | 43 | 3.40 | 1.54 | 3.60 | 1.56 | 3.79 | 1.58 | 3.89 | 1.60 | 4.18 | 1.63 | 4.37 | 1.65 |
| | 40 | 3.52 | 1.49 | 3.71 | 1.51 | 3.91 | 1.53 | 4.01 | 1.54 | 4.29 | 1.58 | 4.49 | 1.60 |
| | 35 | 3.71 | 1.39 | 3.91 | 1.42 | 4.10 | 1.44 | 4.20 | 1.45 | 4.49 | 1.48 | 4.68 | 1.51 |
| | 32 | 3.83 | 1.35 | 4.03 | 1.37 | 4.22 | 1.40 | 4.32 | 1.41 | 4.61 | 1.45 | 4.80 | 1.46 |
| | 25 | 4.11 | 1.24 | 4.30 | 1.25 | 4.50 | 1.29 | 4.59 | 1.29 | 4.88 | 1.33 | 5.08 | 1.34 |
| | 22 | 4.22 | 1.19 | 4.42 | 1.20 | 4.61 | 1.24 | 4.71 | 1.24 | 5.00 | 1.28 | 5.19 | 1.29 |
| 13+05 | 46 | 4.07 | 1.64 | 4.31 | 1.67 | 4.55 | 1.69 | 4.67 | 1.70 | 5.03 | 1.74 | 5.27 | 1.76 |
| | 43 | 4.21 | 1.59 | 4.45 | 1.61 | 4.69 | 1.64 | 4.81 | 1.65 | 5.17 | 1.69 | 5.41 | 1.71 |
| | 40 | 4.36 | 1.54 | 4.60 | 1.56 | 4.84 | 1.59 | 4.96 | 1.60 | 5.32 | 1.63 | 5.56 | 1.66 |
| | 35 | 4.60 | 1.44 | 4.84 | 1.46 | 5.08 | 1.49 | 5.20 | 1.50 | 5.56 | 1.53 | 5.80 | 1.56 |
| | 32 | 4.75 | 1.40 | 4.99 | 1.42 | 5.23 | 1.45 | 5.35 | 1.46 | 5.70 | 1.50 | 5.95 | 1.51 |
| | 25 | 5.09 | 1.28 | 5.33 | 1.29 | 5.57 | 1.33 | 5.69 | 1.33 | 6.04 | 1.38 | 6.29 | 1.39 |
| | 22 | 5.23 | 1.23 | 5.47 | 1.24 | 5.71 | 1.28 | 5.83 | 1.28 | 6.19 | 1.33 | 6.43 | 1.34 |
| 16+05 | 46 | 4.69 | 2.08 | 4.97 | 2.11 | 5.25 | 2.14 | 5.39 | 2.16 | 5.80 | 2.20 | 6.08 | 2.23 |
| | 43 | 4.86 | 2.02 | 5.14 | 2.04 | 5.42 | 2.07 | 5.56 | 2.09 | 5.97 | 2.13 | 6.25 | 2.17 |
| | 40 | 5.03 | 1.95 | 5.31 | 1.98 | 5.58 | 2.01 | 5.72 | 2.02 | 6.14 | 2.07 | 6.42 | 2.10 |
| | 35 | 5.31 | 1.82 | 5.58 | 1.85 | 5.86 | 1.88 | 6.00 | 1.90 | 6.41 | 1.94 | 6.69 | 1.97 |
| | 32 | 5.48 | 1.77 | 5.75 | 1.80 | 6.03 | 1.84 | 6.17 | 1.84 | 6.58 | 1.90 | 6.86 | 1.92 |
| | 25 | 5.87 | 1.62 | 6.15 | 1.64 | 6.42 | 1.69 | 6.56 | 1.69 | 6.97 | 1.74 | 7.25 | 1.76 |
| | 22 | 6.04 | 1.55 | 6.31 | 1.57 | 6.59 | 1.62 | 6.73 | 1.62 | 7.14 | 1.68 | 7.42 | 1.69 |
| 18+05 | 46 | 5.09 | 2.25 | 5.39 | 2.28 | 5.69 | 2.31 | 5.84 | 2.33 | 6.29 | 2.37 | 6.59 | 2.41 |
| | 43 | 5.27 | 2.17 | 5.57 | 2.21 | 5.87 | 2.24 | 6.02 | 2.26 | 6.47 | 2.30 | 6.77 | 2.34 |
| | 40 | 5.45 | 2.10 | 5.75 | 2.13 | 6.05 | 2.17 | 6.20 | 2.18 | 6.65 | 2.23 | 6.95 | 2.26 |
| | 35 | 5.75 | 1.97 | 6.05 | 2.00 | 6.35 | 2.03 | 6.50 | 2.05 | 6.95 | 2.10 | 7.25 | 2.13 |
| | 32 | 5.93 | 1.91 | 6.23 | 1.94 | 6.53 | 1.98 | 6.68 | 1.99 | 7.13 | 2.05 | 7.43 | 2.07 |
| | 25 | 6.36 | 1.75 | 6.66 | 1.77 | 6.96 | 1.82 | 7.11 | 1.82 | 7.55 | 1.88 | 7.86 | 1.90 |
| | 22 | 6.54 | 1.68 | 6.84 | 1.70 | 7.14 | 1.75 | 7.29 | 1.75 | 7.73 | 1.81 | 8.04 | 1.83 |
| 22+05 | 46 | 5.87 | 2.79 | 6.21 | 2.83 | 6.56 | 2.87 | 6.74 | 2.90 | 7.25 | 2.95 | 7.60 | 3.00 |
| | 43 | 6.08 | 2.71 | 6.42 | 2.74 | 6.77 | 2.78 | 6.94 | 2.81 | 7.46 | 2.86 | 7.81 | 2.91 |
| | 40 | 6.29 | 2.62 | 6.63 | 2.65 | 6.98 | 2.70 | 7.15 | 2.72 | 7.67 | 2.78 | 8.02 | 2.82 |
| | 35 | 6.63 | 2.45 | 6.98 | 2.49 | 7.33 | 2.53 | 7.50 | 2.55 | 8.02 | 2.61 | 8.36 | 2.65 |
| | 32 | 6.85 | 2.38 | 7.19 | 2.41 | 7.54 | 2.47 | 7.71 | 2.48 | 8.23 | 2.54 | 8.58 | 2.57 |
| | 25 | 7.33 | 2.17 | 7.68 | 2.20 | 8.03 | 2.26 | 8.20 | 2.26 | 8.71 | 2.34 | 9.07 | 2.36 |
| | 22 | 7.54 | 2.08 | 7.89 | 2.11 | 8.24 | 2.17 | 8.41 | 2.17 | 8.92 | 2.25 | 9.28 | 2.27 |
| 24+05 | 46 | 5.87 | 2.79 | 6.21 | 2.83 | 6.56 | 2.87 | 6.74 | 2.90 | 7.25 | 2.95 | 7.60 | 3.00 |
| | 43 | 6.08 | 2.71 | 6.42 | 2.74 | 6.77 | 2.78 | 6.94 | 2.81 | 7.46 | 2.86 | 7.81 | 2.91 |
| | 40 | 6.29 | 2.62 | 6.63 | 2.65 | 6.98 | 2.70 | 7.15 | 2.72 | 7.67 | 2.78 | 8.02 | 2.82 |
| | 35 | 6.63 | 2.45 | 6.98 | 2.49 | 7.33 | 2.53 | 7.50 | 2.55 | 8.02 | 2.61 | 8.36 | 2.65 |
| | 32 | 6.85 | 2.38 | 7.19 | 2.41 | 7.54 | 2.47 | 7.71 | 2.48 | 8.23 | 2.54 | 8.58 | 2.57 |
| | 25 | 7.33 | 2.17 | 7.68 | 2.20 | 8.03 | 2.26 | 8.20 | 2.26 | 8.71 | 2.34 | 9.07 | 2.36 |
| | 22 | 7.54 | 2.08 | 7.89 | 2.11 | 8.24 | 2.17 | 8.41 | 2.17 | 8.92 | 2.25 | 9.28 | 2.27 |

Cooling

4 - rooms multisplit : 2 - unit operation

Indoor units : 07 type + 07 type 18 type + 07 type
 10 type + 07 type 22 type + 07 type
 13 type + 07 type 24 type + 07 type
 16 type + 07 type 10 type + 10 type

Outdoor unit : RAS-4M27U2AVG-E

| Combination (Capacity) | Outdoor air temp. [°C WB] | Indoor air temp. [°C DB] | | | | | | | | | | | |
|---------------------------|---------------------------------|--------------------------|------------|------------|------------|------------|------------|------------|------------|------------|------------|------------|------------|
| | | 16 | | 18 | | 20 | | 21 | | 22 | | 24 | |
| | | TC [kW] | PI [kW] | TC [kW] | PI [kW] | TC [kW] | PI [kW] | TC [kW] | PI [kW] | TC [kW] | PI [kW] | TC [kW] | PI [kW] |
| 07+07 | 46 | 3.13 | 1.48 | 3.31 | 1.50 | 3.50 | 1.52 | 3.59 | 1.53 | 3.87 | 1.56 | 4.05 | 1.59 |
| | 43 | 3.24 | 1.43 | 3.43 | 1.45 | 3.61 | 1.47 | 3.70 | 1.49 | 3.98 | 1.52 | 4.17 | 1.54 |
| | 40 | 3.35 | 1.39 | 3.54 | 1.40 | 3.72 | 1.43 | 3.82 | 1.44 | 4.09 | 1.47 | 4.28 | 1.49 |
| | 35 | 3.54 | 1.30 | 3.72 | 1.32 | 3.91 | 1.34 | 4.00 | 1.35 | 4.28 | 1.38 | 4.46 | 1.40 |
| | 32 | 3.65 | 1.26 | 3.84 | 1.28 | 4.02 | 1.31 | 4.11 | 1.31 | 4.39 | 1.35 | 4.57 | 1.36 |
| | 25 | 3.91 | 1.15 | 4.10 | 1.16 | 4.28 | 1.20 | 4.37 | 1.20 | 4.65 | 1.24 | 4.84 | 1.25 |
| | 22 | 4.02 | 1.10 | 4.21 | 1.12 | 4.39 | 1.15 | 4.49 | 1.15 | 4.76 | 1.19 | 4.95 | 1.20 |
| 10+07 | 46 | 3.68 | 1.68 | 3.89 | 1.70 | 4.11 | 1.72 | 4.22 | 1.74 | 4.54 | 1.77 | 4.76 | 1.80 |
| | 43 | 3.81 | 1.62 | 4.03 | 1.65 | 4.24 | 1.67 | 4.35 | 1.68 | 4.68 | 1.72 | 4.89 | 1.74 |
| | 40 | 3.94 | 1.57 | 4.16 | 1.59 | 4.37 | 1.62 | 4.48 | 1.63 | 4.81 | 1.67 | 5.03 | 1.69 |
| | 35 | 4.16 | 1.47 | 4.37 | 1.49 | 4.59 | 1.52 | 4.70 | 1.53 | 5.02 | 1.57 | 5.24 | 1.59 |
| | 32 | 4.29 | 1.43 | 4.51 | 1.45 | 4.72 | 1.48 | 4.83 | 1.49 | 5.15 | 1.53 | 5.38 | 1.54 |
| | 25 | 4.60 | 1.30 | 4.81 | 1.32 | 5.03 | 1.36 | 5.14 | 1.36 | 5.46 | 1.40 | 5.68 | 1.42 |
| | 22 | 4.73 | 1.25 | 4.94 | 1.27 | 5.16 | 1.30 | 5.27 | 1.30 | 5.59 | 1.35 | 5.81 | 1.36 |
| 13+07 | 46 | 4.46 | 1.98 | 4.72 | 2.01 | 4.99 | 2.04 | 5.12 | 2.06 | 5.51 | 2.10 | 5.78 | 2.13 |
| | 43 | 4.62 | 1.92 | 4.88 | 1.95 | 5.15 | 1.98 | 5.28 | 1.99 | 5.67 | 2.03 | 5.94 | 2.06 |
| | 40 | 4.78 | 1.86 | 5.04 | 1.88 | 5.30 | 1.91 | 5.44 | 1.93 | 5.83 | 1.97 | 6.09 | 2.00 |
| | 35 | 5.04 | 1.74 | 5.30 | 1.77 | 5.57 | 1.80 | 5.70 | 1.81 | 6.09 | 1.85 | 6.36 | 1.88 |
| | 32 | 5.20 | 1.69 | 5.47 | 1.71 | 5.73 | 1.75 | 5.86 | 1.76 | 6.25 | 1.81 | 6.52 | 1.83 |
| | 25 | 5.57 | 1.54 | 5.84 | 1.56 | 6.10 | 1.61 | 6.23 | 1.61 | 6.62 | 1.66 | 6.89 | 1.68 |
| | 22 | 5.73 | 1.48 | 6.00 | 1.50 | 6.26 | 1.54 | 6.39 | 1.54 | 6.78 | 1.60 | 7.05 | 1.61 |
| 16+07 | 46 | 4.62 | 1.98 | 4.89 | 2.01 | 5.16 | 2.04 | 5.30 | 2.06 | 5.70 | 2.10 | 5.98 | 2.13 |
| | 43 | 4.78 | 1.92 | 5.05 | 1.95 | 5.33 | 1.98 | 5.46 | 1.99 | 5.87 | 2.03 | 6.14 | 2.06 |
| | 40 | 4.95 | 1.86 | 5.22 | 1.88 | 5.49 | 1.91 | 5.63 | 1.93 | 6.03 | 1.97 | 6.31 | 2.00 |
| | 35 | 5.22 | 1.74 | 5.49 | 1.77 | 5.76 | 1.80 | 5.90 | 1.81 | 6.31 | 1.85 | 6.58 | 1.88 |
| | 32 | 5.39 | 1.69 | 5.66 | 1.71 | 5.93 | 1.75 | 6.07 | 1.76 | 6.47 | 1.81 | 6.75 | 1.83 |
| | 25 | 5.77 | 1.54 | 6.04 | 1.56 | 6.32 | 1.61 | 6.45 | 1.61 | 6.85 | 1.66 | 7.13 | 1.68 |
| | 22 | 5.93 | 1.48 | 6.21 | 1.50 | 6.48 | 1.54 | 6.62 | 1.54 | 7.02 | 1.60 | 7.30 | 1.61 |
| 18+07 | 46 | 4.93 | 2.24 | 5.22 | 2.27 | 5.51 | 2.30 | 5.66 | 2.32 | 6.09 | 2.36 | 6.38 | 2.40 |
| | 43 | 5.11 | 2.16 | 5.40 | 2.19 | 5.69 | 2.23 | 5.83 | 2.25 | 6.27 | 2.29 | 6.56 | 2.32 |
| | 40 | 5.28 | 2.09 | 5.57 | 2.12 | 5.86 | 2.16 | 6.01 | 2.17 | 6.44 | 2.22 | 6.74 | 2.25 |
| | 35 | 5.57 | 1.96 | 5.86 | 1.99 | 6.15 | 2.02 | 6.30 | 2.04 | 6.74 | 2.09 | 7.03 | 2.12 |
| | 32 | 5.75 | 1.90 | 6.04 | 1.93 | 6.33 | 1.97 | 6.48 | 1.98 | 6.91 | 2.04 | 7.21 | 2.06 |
| | 25 | 6.16 | 1.74 | 6.45 | 1.76 | 6.74 | 1.81 | 6.89 | 1.81 | 7.32 | 1.87 | 7.62 | 1.89 |
| | 22 | 6.34 | 1.67 | 6.63 | 1.69 | 6.92 | 1.74 | 7.07 | 1.74 | 7.49 | 1.80 | 7.79 | 1.82 |
| 22+07 | 46 | 4.93 | 2.24 | 5.22 | 2.27 | 5.51 | 2.30 | 5.66 | 2.32 | 6.09 | 2.36 | 6.38 | 2.40 |
| | 43 | 5.11 | 2.16 | 5.40 | 2.19 | 5.69 | 2.23 | 5.83 | 2.25 | 6.27 | 2.29 | 6.56 | 2.32 |
| | 40 | 5.28 | 2.09 | 5.57 | 2.12 | 5.86 | 2.16 | 6.01 | 2.17 | 6.44 | 2.22 | 6.74 | 2.25 |
| | 35 | 5.57 | 1.96 | 5.86 | 1.99 | 6.15 | 2.02 | 6.30 | 2.04 | 6.74 | 2.09 | 7.03 | 2.12 |
| | 32 | 5.75 | 1.90 | 6.04 | 1.93 | 6.33 | 1.97 | 6.48 | 1.98 | 6.91 | 2.04 | 7.21 | 2.06 |
| | 25 | 6.16 | 1.74 | 6.45 | 1.76 | 6.74 | 1.81 | 6.89 | 1.81 | 7.32 | 1.87 | 7.62 | 1.89 |
| | 22 | 6.34 | 1.67 | 6.63 | 1.69 | 6.92 | 1.74 | 7.07 | 1.74 | 7.49 | 1.80 | 7.79 | 1.82 |
| 24+07 | 46 | 5.32 | 2.54 | 5.63 | 2.58 | 5.95 | 2.61 | 6.11 | 2.64 | 6.58 | 2.69 | 6.89 | 2.73 |
| | 43 | 5.51 | 2.46 | 5.82 | 2.50 | 6.14 | 2.53 | 6.30 | 2.55 | 6.76 | 2.61 | 7.08 | 2.64 |
| | 40 | 5.70 | 2.38 | 6.01 | 2.41 | 6.33 | 2.45 | 6.49 | 2.47 | 6.95 | 2.53 | 7.27 | 2.56 |
| | 35 | 6.01 | 2.23 | 6.33 | 2.26 | 6.64 | 2.30 | 6.80 | 2.32 | 7.27 | 2.37 | 7.58 | 2.41 |
| | 32 | 6.21 | 2.17 | 6.52 | 2.19 | 6.84 | 2.24 | 6.99 | 2.25 | 7.46 | 2.32 | 7.78 | 2.34 |
| | 25 | 6.65 | 1.98 | 6.96 | 2.00 | 7.28 | 2.06 | 7.44 | 2.06 | 7.90 | 2.13 | 8.22 | 2.15 |
| | 22 | 6.84 | 1.90 | 7.15 | 1.92 | 7.47 | 1.98 | 7.63 | 1.98 | 8.09 | 2.05 | 8.41 | 2.07 |
| 10+10 | 46 | 4.23 | 1.68 | 4.47 | 1.70 | 4.72 | 1.72 | 4.85 | 1.74 | 5.22 | 1.77 | 5.47 | 1.80 |
| | 43 | 4.38 | 1.62 | 4.63 | 1.65 | 4.87 | 1.67 | 5.00 | 1.68 | 5.37 | 1.72 | 5.62 | 1.74 |
| | 40 | 4.53 | 1.57 | 4.78 | 1.59 | 5.03 | 1.62 | 5.15 | 1.63 | 5.52 | 1.67 | 5.77 | 1.69 |
| | 35 | 4.78 | 1.47 | 5.03 | 1.49 | 5.27 | 1.52 | 5.40 | 1.53 | 5.77 | 1.57 | 6.02 | 1.59 |
| | 32 | 4.93 | 1.43 | 5.18 | 1.45 | 5.43 | 1.48 | 5.55 | 1.49 | 5.92 | 1.53 | 6.18 | 1.54 |
| | 25 | 5.28 | 1.30 | 5.53 | 1.32 | 5.78 | 1.36 | 5.91 | 1.36 | 6.27 | 1.40 | 6.53 | 1.42 |
| | 22 | 5.43 | 1.25 | 5.68 | 1.27 | 5.93 | 1.30 | 6.06 | 1.30 | 6.42 | 1.35 | 6.68 | 1.36 |

Cooling

4 - rooms multisplit : 2 - unit operation

Indoor units : 13 type + 10 type 24 type + 10 type
 16 type + 10 type 13 type + 13 type
 18 type + 10 type 16 type + 13 type
 22 type + 10 type 18 type + 13 type

Outdoor unit : RAS-4M27U2AVG-E

| Combination (Capacity) | Outdoor air temp. [°C DB] | Indoor air temp. [°C WB] | | | | | | | | | | | |
|---------------------------|---------------------------------|--------------------------|------------|------------|------------|------------|------------|------------|------------|------------|------------|------------|------------|
| | | 14 | | 16 | | 18 | | 19 | | 22 | | 24 | |
| | | TC [kW] | PI [kW] | TC [kW] | PI [kW] | TC [kW] | PI [kW] | TC [kW] | PI [kW] | TC [kW] | PI [kW] | TC [kW] | PI [kW] |
| 13+10 | 46 | 4.62 | 1.98 | 4.89 | 2.01 | 5.16 | 2.04 | 5.30 | 2.06 | 5.70 | 2.10 | 5.98 | 2.13 |
| | 43 | 4.78 | 1.92 | 5.05 | 1.95 | 5.33 | 1.98 | 5.46 | 1.99 | 5.87 | 2.03 | 6.14 | 2.06 |
| | 40 | 4.95 | 1.86 | 5.22 | 1.88 | 5.49 | 1.91 | 5.63 | 1.93 | 6.03 | 1.97 | 6.31 | 2.00 |
| | 35 | 5.22 | 1.74 | 5.49 | 1.77 | 5.76 | 1.80 | 5.90 | 1.81 | 6.31 | 1.85 | 6.58 | 1.88 |
| | 32 | 5.39 | 1.69 | 5.66 | 1.71 | 5.93 | 1.75 | 6.07 | 1.76 | 6.47 | 1.81 | 6.75 | 1.83 |
| | 25 | 5.77 | 1.54 | 6.04 | 1.56 | 6.32 | 1.61 | 6.45 | 1.61 | 6.85 | 1.66 | 7.13 | 1.68 |
| 16+10 | 22 | 5.93 | 1.48 | 6.21 | 1.50 | 6.48 | 1.54 | 6.62 | 1.54 | 7.02 | 1.60 | 7.30 | 1.61 |
| | 46 | 4.93 | 2.24 | 5.22 | 2.27 | 5.51 | 2.30 | 5.66 | 2.32 | 6.09 | 2.36 | 6.38 | 2.40 |
| | 43 | 5.11 | 2.16 | 5.40 | 2.19 | 5.69 | 2.23 | 5.83 | 2.25 | 6.27 | 2.29 | 6.56 | 2.32 |
| | 40 | 5.28 | 2.09 | 5.57 | 2.12 | 5.86 | 2.16 | 6.01 | 2.17 | 6.44 | 2.22 | 6.74 | 2.25 |
| | 35 | 5.57 | 1.96 | 5.86 | 1.99 | 6.15 | 2.02 | 6.30 | 2.04 | 6.74 | 2.09 | 7.03 | 2.12 |
| | 32 | 5.75 | 1.90 | 6.04 | 1.93 | 6.33 | 1.97 | 6.48 | 1.98 | 6.91 | 2.04 | 7.21 | 2.06 |
| 18+10 | 25 | 6.16 | 1.74 | 6.45 | 1.76 | 6.74 | 1.81 | 6.89 | 1.81 | 7.32 | 1.87 | 7.62 | 1.89 |
| | 22 | 6.34 | 1.67 | 6.63 | 1.69 | 6.92 | 1.74 | 7.07 | 1.74 | 7.49 | 1.80 | 7.79 | 1.82 |
| | 46 | 4.93 | 2.24 | 5.22 | 2.27 | 5.51 | 2.30 | 5.66 | 2.32 | 6.09 | 2.36 | 6.38 | 2.40 |
| | 43 | 5.11 | 2.16 | 5.40 | 2.19 | 5.69 | 2.23 | 5.83 | 2.25 | 6.27 | 2.29 | 6.56 | 2.32 |
| | 40 | 5.28 | 2.09 | 5.57 | 2.12 | 5.86 | 2.16 | 6.01 | 2.17 | 6.44 | 2.22 | 6.74 | 2.25 |
| | 35 | 5.57 | 1.96 | 5.86 | 1.99 | 6.15 | 2.02 | 6.30 | 2.04 | 6.74 | 2.09 | 7.03 | 2.12 |
| 22+10 | 32 | 5.75 | 1.90 | 6.04 | 1.93 | 6.33 | 1.97 | 6.48 | 1.98 | 6.91 | 2.04 | 7.21 | 2.06 |
| | 25 | 6.16 | 1.74 | 6.45 | 1.76 | 6.74 | 1.81 | 6.89 | 1.81 | 7.32 | 1.87 | 7.62 | 1.89 |
| | 22 | 6.34 | 1.67 | 6.63 | 1.69 | 6.92 | 1.74 | 7.07 | 1.74 | 7.49 | 1.80 | 7.79 | 1.82 |
| | 46 | 5.32 | 2.54 | 5.63 | 2.58 | 5.95 | 2.61 | 6.11 | 2.64 | 6.58 | 2.69 | 6.89 | 2.73 |
| | 43 | 5.51 | 2.46 | 5.82 | 2.50 | 6.14 | 2.53 | 6.30 | 2.55 | 6.76 | 2.61 | 7.08 | 2.64 |
| | 40 | 5.70 | 2.38 | 6.01 | 2.41 | 6.33 | 2.45 | 6.49 | 2.47 | 6.95 | 2.53 | 7.27 | 2.56 |
| 24+10 | 35 | 6.01 | 2.23 | 6.33 | 2.26 | 6.64 | 2.30 | 6.80 | 2.32 | 7.27 | 2.37 | 7.58 | 2.41 |
| | 32 | 6.21 | 2.17 | 6.52 | 2.19 | 6.84 | 2.24 | 6.99 | 2.25 | 7.46 | 2.32 | 7.78 | 2.34 |
| | 25 | 6.65 | 1.98 | 6.96 | 2.00 | 7.28 | 2.06 | 7.44 | 2.06 | 7.90 | 2.13 | 8.22 | 2.15 |
| | 22 | 6.84 | 1.90 | 7.15 | 1.92 | 7.47 | 1.98 | 7.63 | 1.98 | 8.09 | 2.05 | 8.41 | 2.07 |
| | 46 | 5.63 | 2.79 | 5.97 | 2.83 | 6.30 | 2.87 | 6.47 | 2.90 | 6.96 | 2.95 | 7.30 | 3.00 |
| | 43 | 5.83 | 2.71 | 6.17 | 2.74 | 6.50 | 2.78 | 6.67 | 2.81 | 7.16 | 2.86 | 7.50 | 2.91 |
| 13+13 | 40 | 6.04 | 2.62 | 6.37 | 2.65 | 6.70 | 2.70 | 6.87 | 2.72 | 7.36 | 2.78 | 7.70 | 2.82 |
| | 35 | 6.37 | 2.45 | 6.70 | 2.49 | 7.03 | 2.53 | 7.20 | 2.55 | 7.70 | 2.61 | 8.03 | 2.65 |
| | 32 | 6.57 | 2.38 | 6.90 | 2.41 | 7.24 | 2.47 | 7.40 | 2.48 | 7.90 | 2.54 | 8.23 | 2.57 |
| | 25 | 7.04 | 2.17 | 7.37 | 2.20 | 7.71 | 2.26 | 7.87 | 2.26 | 8.36 | 2.34 | 8.70 | 2.36 |
| | 22 | 7.24 | 2.08 | 7.58 | 2.11 | 7.91 | 2.17 | 8.07 | 2.17 | 8.56 | 2.25 | 8.91 | 2.27 |
| | 46 | 4.93 | 2.24 | 5.22 | 2.27 | 5.51 | 2.30 | 5.66 | 2.32 | 6.09 | 2.36 | 6.38 | 2.40 |
| 16+13 | 43 | 5.11 | 2.16 | 5.40 | 2.19 | 5.69 | 2.23 | 5.83 | 2.25 | 6.27 | 2.29 | 6.56 | 2.32 |
| | 40 | 5.28 | 2.09 | 5.57 | 2.12 | 5.86 | 2.16 | 6.01 | 2.17 | 6.44 | 2.22 | 6.74 | 2.25 |
| | 35 | 5.57 | 1.96 | 5.86 | 1.99 | 6.15 | 2.02 | 6.30 | 2.04 | 6.74 | 2.09 | 7.03 | 2.12 |
| | 32 | 5.75 | 1.90 | 6.04 | 1.93 | 6.33 | 1.97 | 6.48 | 1.98 | 6.91 | 2.04 | 7.21 | 2.06 |
| | 25 | 6.16 | 1.74 | 6.45 | 1.76 | 6.74 | 1.81 | 6.89 | 1.81 | 7.32 | 1.87 | 7.62 | 1.89 |
| | 22 | 6.34 | 1.67 | 6.63 | 1.69 | 6.92 | 1.74 | 7.07 | 1.74 | 7.49 | 1.80 | 7.79 | 1.82 |
| 18+13 | 46 | 5.32 | 2.54 | 5.63 | 2.58 | 5.95 | 2.61 | 6.11 | 2.64 | 6.58 | 2.69 | 6.89 | 2.73 |
| | 43 | 5.51 | 2.46 | 5.82 | 2.50 | 6.14 | 2.53 | 6.30 | 2.55 | 6.76 | 2.61 | 7.08 | 2.64 |
| | 40 | 5.70 | 2.38 | 6.01 | 2.41 | 6.33 | 2.45 | 6.49 | 2.47 | 6.95 | 2.53 | 7.27 | 2.56 |
| | 35 | 6.01 | 2.23 | 6.33 | 2.26 | 6.64 | 2.30 | 6.80 | 2.32 | 7.27 | 2.37 | 7.58 | 2.41 |
| | 32 | 6.21 | 2.17 | 6.52 | 2.19 | 6.84 | 2.24 | 6.99 | 2.25 | 7.46 | 2.32 | 7.78 | 2.34 |
| | 25 | 6.65 | 1.98 | 6.96 | 2.00 | 7.28 | 2.06 | 7.44 | 2.06 | 7.90 | 2.13 | 8.22 | 2.15 |

Cooling

4 - rooms multisplit : 2 - unit operation

Indoor units : 22 type + 13 type 22 type + 16 type
 24 type + 13 type 24 type + 16 type
 16 type + 16 type 18 type + 18 type
 18 type + 16 type 22 type + 18 type

Outdoor unit : RAS-4M27U2AVG-E

| Combination (Capacity) | Outdoor air temp. [°C DB] | Indoor air temp. [°C WB] | | | | | | | | | | | |
|---------------------------|---------------------------------|--------------------------|------------|------------|------------|------------|------------|------------|------------|------------|------------|------------|------------|
| | | 14 | | 16 | | 18 | | 19 | | 22 | | 24 | |
| | | TC [kW] | PI [kW] | TC [kW] | PI [kW] | TC [kW] | PI [kW] | TC [kW] | PI [kW] | TC [kW] | PI [kW] | TC [kW] | PI [kW] |
| 22+13 | 46 | 5.63 | 2.79 | 5.97 | 2.83 | 6.30 | 2.87 | 6.47 | 2.90 | 6.96 | 2.95 | 7.30 | 3.00 |
| | 43 | 5.83 | 2.71 | 6.17 | 2.74 | 6.50 | 2.78 | 6.67 | 2.81 | 7.16 | 2.86 | 7.50 | 2.91 |
| | 40 | 6.04 | 2.62 | 6.37 | 2.65 | 6.70 | 2.70 | 6.87 | 2.72 | 7.36 | 2.78 | 7.70 | 2.82 |
| | 35 | 6.37 | 2.45 | 6.70 | 2.49 | 7.03 | 2.53 | 7.20 | 2.55 | 7.70 | 2.61 | 8.03 | 2.65 |
| | 32 | 6.57 | 2.38 | 6.90 | 2.41 | 7.24 | 2.47 | 7.40 | 2.48 | 7.90 | 2.54 | 8.23 | 2.57 |
| | 25 | 7.04 | 2.17 | 7.37 | 2.20 | 7.71 | 2.26 | 7.87 | 2.26 | 8.36 | 2.34 | 8.70 | 2.36 |
| | 22 | 7.24 | 2.08 | 7.58 | 2.11 | 7.91 | 2.17 | 8.07 | 2.17 | 8.56 | 2.25 | 8.91 | 2.27 |
| 24+13 | 46 | 5.63 | 2.79 | 5.97 | 2.83 | 6.30 | 2.87 | 6.47 | 2.90 | 6.96 | 2.95 | 7.30 | 3.00 |
| | 43 | 5.83 | 2.71 | 6.17 | 2.74 | 6.50 | 2.78 | 6.67 | 2.81 | 7.16 | 2.86 | 7.50 | 2.91 |
| | 40 | 6.04 | 2.62 | 6.37 | 2.65 | 6.70 | 2.70 | 6.87 | 2.72 | 7.36 | 2.78 | 7.70 | 2.82 |
| | 35 | 6.37 | 2.45 | 6.70 | 2.49 | 7.03 | 2.53 | 7.20 | 2.55 | 7.70 | 2.61 | 8.03 | 2.65 |
| | 32 | 6.57 | 2.38 | 6.90 | 2.41 | 7.24 | 2.47 | 7.40 | 2.48 | 7.90 | 2.54 | 8.23 | 2.57 |
| | 25 | 7.04 | 2.17 | 7.37 | 2.20 | 7.71 | 2.26 | 7.87 | 2.26 | 8.36 | 2.34 | 8.70 | 2.36 |
| | 22 | 7.24 | 2.08 | 7.58 | 2.11 | 7.91 | 2.17 | 8.07 | 2.17 | 8.56 | 2.25 | 8.91 | 2.27 |
| 16+16 | 46 | 5.63 | 2.79 | 5.97 | 2.83 | 6.30 | 2.87 | 6.47 | 2.90 | 6.96 | 2.95 | 7.30 | 3.00 |
| | 43 | 5.83 | 2.71 | 6.17 | 2.74 | 6.50 | 2.78 | 6.67 | 2.81 | 7.16 | 2.86 | 7.50 | 2.91 |
| | 40 | 6.04 | 2.62 | 6.37 | 2.65 | 6.70 | 2.70 | 6.87 | 2.72 | 7.36 | 2.78 | 7.70 | 2.82 |
| | 35 | 6.37 | 2.45 | 6.70 | 2.49 | 7.03 | 2.53 | 7.20 | 2.55 | 7.70 | 2.61 | 8.03 | 2.65 |
| | 32 | 6.57 | 2.38 | 6.90 | 2.41 | 7.24 | 2.47 | 7.40 | 2.48 | 7.90 | 2.54 | 8.23 | 2.57 |
| | 25 | 7.04 | 2.17 | 7.37 | 2.20 | 7.71 | 2.26 | 7.87 | 2.26 | 8.36 | 2.34 | 8.70 | 2.36 |
| | 22 | 7.24 | 2.08 | 7.58 | 2.11 | 7.91 | 2.17 | 8.07 | 2.17 | 8.56 | 2.25 | 8.91 | 2.27 |
| 18+16 | 46 | 5.63 | 2.79 | 5.97 | 2.83 | 6.30 | 2.87 | 6.47 | 2.90 | 6.96 | 2.95 | 7.30 | 3.00 |
| | 43 | 5.83 | 2.71 | 6.17 | 2.74 | 6.50 | 2.78 | 6.67 | 2.81 | 7.16 | 2.86 | 7.50 | 2.91 |
| | 40 | 6.04 | 2.62 | 6.37 | 2.65 | 6.70 | 2.70 | 6.87 | 2.72 | 7.36 | 2.78 | 7.70 | 2.82 |
| | 35 | 6.37 | 2.45 | 6.70 | 2.49 | 7.03 | 2.53 | 7.20 | 2.55 | 7.70 | 2.61 | 8.03 | 2.65 |
| | 32 | 6.57 | 2.38 | 6.90 | 2.41 | 7.24 | 2.47 | 7.40 | 2.48 | 7.90 | 2.54 | 8.23 | 2.57 |
| | 25 | 7.04 | 2.17 | 7.37 | 2.20 | 7.71 | 2.26 | 7.87 | 2.26 | 8.36 | 2.34 | 8.70 | 2.36 |
| | 22 | 7.24 | 2.08 | 7.58 | 2.11 | 7.91 | 2.17 | 8.07 | 2.17 | 8.56 | 2.25 | 8.91 | 2.27 |
| 22+16 | 46 | 5.71 | 2.79 | 6.05 | 2.83 | 6.39 | 2.87 | 6.56 | 2.90 | 7.06 | 2.95 | 7.40 | 3.00 |
| | 43 | 5.92 | 2.71 | 6.25 | 2.74 | 6.59 | 2.78 | 6.76 | 2.81 | 7.26 | 2.86 | 7.60 | 2.91 |
| | 40 | 6.12 | 2.62 | 6.46 | 2.65 | 6.79 | 2.70 | 6.96 | 2.72 | 7.46 | 2.78 | 7.81 | 2.82 |
| | 35 | 6.46 | 2.45 | 6.79 | 2.49 | 7.13 | 2.53 | 7.30 | 2.55 | 7.80 | 2.61 | 8.14 | 2.65 |
| | 32 | 6.66 | 2.38 | 7.00 | 2.41 | 7.34 | 2.47 | 7.51 | 2.48 | 8.01 | 2.54 | 8.35 | 2.57 |
| | 25 | 7.14 | 2.17 | 7.48 | 2.20 | 7.81 | 2.26 | 7.98 | 2.26 | 8.48 | 2.34 | 8.83 | 2.36 |
| | 22 | 7.34 | 2.08 | 7.68 | 2.11 | 8.02 | 2.17 | 8.19 | 2.17 | 8.68 | 2.25 | 9.03 | 2.27 |
| 24+16 | 46 | 5.71 | 2.79 | 6.05 | 2.83 | 6.39 | 2.87 | 6.56 | 2.90 | 7.06 | 2.95 | 7.40 | 3.00 |
| | 43 | 5.92 | 2.71 | 6.25 | 2.74 | 6.59 | 2.78 | 6.76 | 2.81 | 7.26 | 2.86 | 7.60 | 2.91 |
| | 40 | 6.12 | 2.62 | 6.46 | 2.65 | 6.79 | 2.70 | 6.96 | 2.72 | 7.46 | 2.78 | 7.81 | 2.82 |
| | 35 | 6.46 | 2.45 | 6.79 | 2.49 | 7.13 | 2.53 | 7.30 | 2.55 | 7.80 | 2.61 | 8.14 | 2.65 |
| | 32 | 6.66 | 2.38 | 7.00 | 2.41 | 7.34 | 2.47 | 7.51 | 2.48 | 8.01 | 2.54 | 8.35 | 2.57 |
| | 25 | 7.14 | 2.17 | 7.48 | 2.20 | 7.81 | 2.26 | 7.98 | 2.26 | 8.48 | 2.34 | 8.83 | 2.36 |
| | 22 | 7.34 | 2.08 | 7.68 | 2.11 | 8.02 | 2.17 | 8.19 | 2.17 | 8.68 | 2.25 | 9.03 | 2.27 |
| 18+18 | 46 | 5.63 | 2.79 | 5.97 | 2.83 | 6.30 | 2.87 | 6.47 | 2.90 | 6.96 | 2.95 | 7.30 | 3.00 |
| | 43 | 5.83 | 2.71 | 6.17 | 2.74 | 6.50 | 2.78 | 6.67 | 2.81 | 7.16 | 2.86 | 7.50 | 2.91 |
| | 40 | 6.04 | 2.62 | 6.37 | 2.65 | 6.70 | 2.70 | 6.87 | 2.72 | 7.36 | 2.78 | 7.70 | 2.82 |
| | 35 | 6.37 | 2.45 | 6.70 | 2.49 | 7.03 | 2.53 | 7.20 | 2.55 | 7.70 | 2.61 | 8.03 | 2.65 |
| | 32 | 6.57 | 2.38 | 6.90 | 2.41 | 7.24 | 2.47 | 7.40 | 2.48 | 7.90 | 2.54 | 8.23 | 2.57 |
| | 25 | 7.04 | 2.17 | 7.37 | 2.20 | 7.71 | 2.26 | 7.87 | 2.26 | 8.36 | 2.34 | 8.70 | 2.36 |
| | 22 | 7.24 | 2.08 | 7.58 | 2.11 | 7.91 | 2.17 | 8.07 | 2.17 | 8.56 | 2.25 | 8.91 | 2.27 |
| 22+18 | 46 | 5.79 | 2.79 | 6.13 | 2.83 | 6.47 | 2.87 | 6.65 | 2.90 | 7.16 | 2.95 | 7.50 | 3.00 |
| | 43 | 6.00 | 2.71 | 6.34 | 2.74 | 6.68 | 2.78 | 6.85 | 2.81 | 7.36 | 2.86 | 7.71 | 2.91 |
| | 40 | 6.20 | 2.62 | 6.54 | 2.65 | 6.89 | 2.70 | 7.06 | 2.72 | 7.57 | 2.78 | 7.91 | 2.82 |
| | 35 | 6.54 | 2.45 | 6.89 | 2.49 | 7.23 | 2.53 | 7.40 | 2.55 | 7.91 | 2.61 | 8.25 | 2.65 |
| | 32 | 6.75 | 2.38 | 7.10 | 2.41 | 7.44 | 2.47 | 7.61 | 2.48 | 8.12 | 2.54 | 8.46 | 2.57 |
| | 25 | 7.24 | 2.17 | 7.58 | 2.20 | 7.92 | 2.26 | 8.09 | 2.26 | 8.60 | 2.34 | 8.95 | 2.36 |
| | 22 | 7.44 | 2.08 | 7.79 | 2.11 | 8.13 | 2.17 | 8.30 | 2.17 | 8.80 | 2.25 | 9.15 | 2.27 |

Cooling

4-rooms multisplit : 2 - unit operation

Indoor units : 24type + 18type

Outdoor unit : RAS-4M27U2AVG-E

| Combination (Capacity) | Outdoor air temp. [°C DB] | Indoor air temp. [°C WB] | | | | | | | | | | | |
|---------------------------|---------------------------------|--------------------------|------------|------------|------------|------------|------------|------------|------------|------------|------------|------------|------------|
| | | 14 | | 16 | | 18 | | 19 | | 22 | | 24 | |
| | | TC [kW] | PI [kW] | TC [kW] | PI [kW] | TC [kW] | PI [kW] | TC [kW] | PI [kW] | TC [kW] | PI [kW] | TC [kW] | PI [kW] |
| 24+18 | 46 | 5.79 | 2.79 | 6.13 | 2.83 | 6.47 | 2.87 | 6.65 | 2.90 | 7.16 | 2.95 | 7.50 | 3.00 |
| | 43 | 6.00 | 2.71 | 6.34 | 2.74 | 6.68 | 2.78 | 6.85 | 2.81 | 7.36 | 2.86 | 7.71 | 2.91 |
| | 40 | 6.20 | 2.62 | 6.54 | 2.65 | 6.89 | 2.70 | 7.06 | 2.72 | 7.57 | 2.78 | 7.91 | 2.82 |
| | 35 | 6.54 | 2.45 | 6.89 | 2.49 | 7.23 | 2.53 | 7.40 | 2.55 | 7.91 | 2.61 | 8.25 | 2.65 |
| | 32 | 6.75 | 2.38 | 7.10 | 2.41 | 7.44 | 2.47 | 7.61 | 2.48 | 8.12 | 2.54 | 8.46 | 2.57 |
| | 25 | 7.24 | 2.17 | 7.58 | 2.20 | 7.92 | 2.26 | 8.09 | 2.26 | 8.60 | 2.34 | 8.95 | 2.36 |
| | 22 | 7.44 | 2.08 | 7.79 | 2.11 | 8.13 | 2.17 | 8.30 | 2.17 | 8.80 | 2.25 | 9.15 | 2.27 |

Cooling

4-rooms multisplit : 3 - unit operation

Indoor units : 05 type + 05 type + 05 type 16 type + 05 type + 05 type
 07 type + 05 type + 05 type 18 type + 05 type + 05 type
 10 type + 05 type + 05 type 22 type + 05 type + 05 type
 13 type + 05 type + 05 type 24 type + 05 type + 05 type

Outdoor unit : RAS-4M27U2AVG-E

| Combination (Capacity) | Outdoor air temp. [°C DB] | Indoor air temp. [°C WB] | | | | | | | | | | | |
|---------------------------|---------------------------------|--------------------------|------------|------------|------------|------------|------------|------------|------------|------------|------------|------------|------------|
| | | 14 | | 16 | | 18 | | 19 | | 22 | | 24 | |
| | | TC [kW] | PI [kW] | TC [kW] | PI [kW] | TC [kW] | PI [kW] | TC [kW] | PI [kW] | TC [kW] | PI [kW] | TC [kW] | PI [kW] |
| 05+05+05 | 46 | 3.52 | 1.10 | 3.73 | 1.11 | 3.94 | 1.13 | 4.04 | 1.14 | 4.35 | 1.16 | 4.56 | 1.18 |
| | 43 | 3.65 | 1.06 | 3.85 | 1.08 | 4.06 | 1.09 | 4.17 | 1.10 | 4.48 | 1.12 | 4.69 | 1.14 |
| | 40 | 3.77 | 1.03 | 3.98 | 1.04 | 4.19 | 1.06 | 4.29 | 1.07 | 4.60 | 1.09 | 4.81 | 1.10 |
| | 35 | 3.98 | 0.96 | 4.19 | 0.98 | 4.40 | 0.99 | 4.50 | 1.00 | 4.81 | 1.02 | 5.02 | 1.04 |
| | 32 | 4.11 | 0.93 | 4.32 | 0.95 | 4.52 | 0.97 | 4.63 | 0.97 | 4.94 | 1.00 | 5.15 | 1.01 |
| | 25 | 4.40 | 0.85 | 4.61 | 0.86 | 4.82 | 0.89 | 4.92 | 0.89 | 5.23 | 0.92 | 5.44 | 0.93 |
| | 22 | 4.53 | 0.82 | 4.73 | 0.83 | 4.94 | 0.85 | 5.05 | 0.85 | 5.35 | 0.88 | 5.57 | 0.89 |
| 07+05+05 | 46 | 3.91 | 1.27 | 4.14 | 1.29 | 4.37 | 1.31 | 4.49 | 1.32 | 4.83 | 1.34 | 5.07 | 1.36 |
| | 43 | 4.05 | 1.23 | 4.28 | 1.25 | 4.51 | 1.27 | 4.63 | 1.28 | 4.97 | 1.30 | 5.21 | 1.32 |
| | 40 | 4.19 | 1.19 | 4.42 | 1.21 | 4.65 | 1.23 | 4.77 | 1.24 | 5.11 | 1.26 | 5.35 | 1.28 |
| | 35 | 4.42 | 1.11 | 4.65 | 1.13 | 4.88 | 1.15 | 5.00 | 1.16 | 5.35 | 1.19 | 5.58 | 1.20 |
| | 32 | 4.56 | 1.08 | 4.79 | 1.10 | 5.03 | 1.12 | 5.14 | 1.13 | 5.48 | 1.16 | 5.72 | 1.17 |
| | 25 | 4.89 | 0.99 | 5.12 | 1.00 | 5.35 | 1.03 | 5.47 | 1.03 | 5.81 | 1.07 | 6.04 | 1.08 |
| | 22 | 5.03 | 0.95 | 5.26 | 0.96 | 5.49 | 0.99 | 5.61 | 0.99 | 5.95 | 1.03 | 6.18 | 1.03 |
| 10+05+05 | 46 | 4.46 | 1.53 | 4.72 | 1.56 | 4.99 | 1.58 | 5.12 | 1.59 | 5.51 | 1.62 | 5.78 | 1.65 |
| | 43 | 4.62 | 1.49 | 4.88 | 1.51 | 5.15 | 1.53 | 5.28 | 1.54 | 5.67 | 1.57 | 5.94 | 1.60 |
| | 40 | 4.78 | 1.44 | 5.04 | 1.46 | 5.30 | 1.48 | 5.44 | 1.49 | 5.83 | 1.52 | 6.09 | 1.55 |
| | 35 | 5.04 | 1.34 | 5.30 | 1.37 | 5.57 | 1.39 | 5.70 | 1.40 | 6.09 | 1.43 | 6.36 | 1.45 |
| | 32 | 5.20 | 1.31 | 5.47 | 1.32 | 5.73 | 1.35 | 5.86 | 1.36 | 6.25 | 1.40 | 6.52 | 1.41 |
| | 25 | 5.57 | 1.19 | 5.84 | 1.21 | 6.10 | 1.24 | 6.23 | 1.24 | 6.62 | 1.29 | 6.89 | 1.30 |
| | 22 | 5.73 | 1.14 | 6.00 | 1.16 | 6.26 | 1.19 | 6.39 | 1.19 | 6.78 | 1.24 | 7.05 | 1.25 |
| 13+05+05 | 46 | 5.24 | 1.96 | 5.55 | 1.99 | 5.86 | 2.02 | 6.02 | 2.03 | 6.48 | 2.07 | 6.79 | 2.10 |
| | 43 | 5.43 | 1.90 | 5.74 | 1.93 | 6.05 | 1.95 | 6.20 | 1.97 | 6.66 | 2.01 | 6.98 | 2.04 |
| | 40 | 5.62 | 1.84 | 5.93 | 1.86 | 6.24 | 1.89 | 6.39 | 1.91 | 6.85 | 1.95 | 7.16 | 1.98 |
| | 35 | 5.93 | 1.72 | 6.23 | 1.75 | 6.54 | 1.78 | 6.70 | 1.79 | 7.16 | 1.83 | 7.47 | 1.86 |
| | 32 | 6.12 | 1.67 | 6.43 | 1.69 | 6.73 | 1.73 | 6.89 | 1.74 | 7.35 | 1.79 | 7.66 | 1.81 |
| | 25 | 6.55 | 1.53 | 6.86 | 1.54 | 7.17 | 1.59 | 7.33 | 1.59 | 7.78 | 1.64 | 8.10 | 1.66 |
| | 22 | 6.74 | 1.46 | 7.05 | 1.48 | 7.36 | 1.53 | 7.51 | 1.53 | 7.97 | 1.58 | 8.29 | 1.60 |
| 16+05+05 | 46 | 5.87 | 2.34 | 6.21 | 2.38 | 6.56 | 2.41 | 6.74 | 2.43 | 7.25 | 2.48 | 7.60 | 2.51 |
| | 43 | 6.08 | 2.27 | 6.42 | 2.30 | 6.77 | 2.34 | 6.94 | 2.36 | 7.46 | 2.40 | 7.81 | 2.44 |
| | 40 | 6.29 | 2.20 | 6.63 | 2.23 | 6.98 | 2.26 | 7.15 | 2.28 | 7.67 | 2.33 | 8.02 | 2.36 |
| | 35 | 6.63 | 2.06 | 6.98 | 2.09 | 7.33 | 2.12 | 7.50 | 2.14 | 8.02 | 2.19 | 8.36 | 2.22 |
| | 32 | 6.85 | 2.00 | 7.19 | 2.02 | 7.54 | 2.07 | 7.71 | 2.08 | 8.23 | 2.14 | 8.58 | 2.16 |
| | 25 | 7.33 | 1.82 | 7.68 | 1.85 | 8.03 | 1.90 | 8.20 | 1.90 | 8.71 | 1.96 | 9.07 | 1.98 |
| | 22 | 7.54 | 1.75 | 7.89 | 1.77 | 8.24 | 1.82 | 8.41 | 1.82 | 8.92 | 1.89 | 9.28 | 1.91 |
| 18+05+05 | 46 | 6.02 | 2.30 | 6.38 | 2.33 | 6.74 | 2.37 | 6.91 | 2.39 | 7.45 | 2.43 | 7.80 | 2.47 |
| | 43 | 6.24 | 2.23 | 6.60 | 2.26 | 6.95 | 2.29 | 7.13 | 2.31 | 7.66 | 2.36 | 8.02 | 2.39 |
| | 40 | 6.45 | 2.15 | 6.81 | 2.18 | 7.17 | 2.22 | 7.34 | 2.24 | 7.87 | 2.29 | 8.23 | 2.32 |
| | 35 | 6.81 | 2.02 | 7.17 | 2.05 | 7.52 | 2.08 | 7.70 | 2.10 | 8.23 | 2.15 | 8.59 | 2.18 |
| | 32 | 7.03 | 1.96 | 7.38 | 1.99 | 7.74 | 2.03 | 7.92 | 2.04 | 8.45 | 2.10 | 8.81 | 2.12 |
| | 25 | 7.53 | 1.79 | 7.89 | 1.81 | 8.24 | 1.86 | 8.42 | 1.86 | 8.95 | 1.93 | 9.31 | 1.95 |
| | 22 | 7.75 | 1.72 | 8.10 | 1.74 | 8.46 | 1.79 | 8.64 | 1.79 | 9.16 | 1.86 | 9.52 | 1.87 |
| 22+05+05 | 46 | 6.10 | 2.30 | 6.46 | 2.33 | 6.82 | 2.37 | 7.00 | 2.39 | 7.54 | 2.43 | 7.90 | 2.47 |
| | 43 | 6.32 | 2.23 | 6.68 | 2.26 | 7.04 | 2.29 | 7.22 | 2.31 | 7.76 | 2.36 | 8.12 | 2.39 |
| | 40 | 6.54 | 2.15 | 6.90 | 2.18 | 7.26 | 2.22 | 7.44 | 2.24 | 7.98 | 2.29 | 8.34 | 2.32 |
| | 35 | 6.90 | 2.02 | 7.26 | 2.05 | 7.62 | 2.08 | 7.80 | 2.10 | 8.34 | 2.15 | 8.70 | 2.18 |
| | 32 | 7.12 | 1.96 | 7.48 | 1.99 | 7.84 | 2.03 | 8.02 | 2.04 | 8.56 | 2.10 | 8.92 | 2.12 |
| | 25 | 7.63 | 1.79 | 7.99 | 1.81 | 8.35 | 1.86 | 8.53 | 1.86 | 9.06 | 1.93 | 9.43 | 1.95 |
| | 22 | 7.85 | 1.72 | 8.21 | 1.74 | 8.57 | 1.79 | 8.75 | 1.79 | 9.28 | 1.86 | 9.65 | 1.87 |
| 24+05+05 | 46 | 6.10 | 2.38 | 6.46 | 2.41 | 6.82 | 2.44 | 7.00 | 2.47 | 7.54 | 2.51 | 7.90 | 2.55 |
| | 43 | 6.32 | 2.30 | 6.68 | 2.33 | 7.04 | 2.37 | 7.22 | 2.39 | 7.76 | 2.44 | 8.12 | 2.47 |
| | 40 | 6.54 | 2.23 | 6.90 | 2.26 | 7.26 | 2.30 | 7.44 | 2.31 | 7.98 | 2.36 | 8.34 | 2.40 |
| | 35 | 6.90 | 2.08 | 7.26 | 2.12 | 7.62 | 2.15 | 7.80 | 2.17 | 8.34 | 2.22 | 8.70 | 2.25 |
| | 32 | 7.12 | 2.03 | 7.48 | 2.05 | 7.84 | 2.10 | 8.02 | 2.11 | 8.56 | 2.17 | 8.92 | 2.19 |
| | 25 | 7.63 | 1.85 | 7.99 | 1.87 | 8.35 | 1.92 | 8.53 | 1.93 | 9.06 | 1.99 | 9.43 | 2.01 |
| | 22 | 7.85 | 1.77 | 8.21 | 1.79 | 8.57 | 1.85 | 8.75 | 1.85 | 9.28 | 1.92 | 9.65 | 1.93 |

Cooling

4-rooms multisplit : 3 - unit operation

Indoor units : 07 type + 07 type + 05 type 18 type + 07 type + 05 type
 10 type + 07 type + 05 type 22 type + 07 type + 05 type
 13 type + 07 type + 05 type 24 type + 07 type + 05 type
 16 type + 07 type + 05 type 10 type + 10 type + 05 type

Outdoor unit : RAS-4M27U2AVG-E

| Combination (Capacity) | Outdoor air temp. [°C DB] | Indoor air temp. [°C WB] | | | | | | | | | | | |
|---------------------------|---------------------------------|--------------------------|------------|------------|------------|------------|------------|------------|------------|------------|------------|------------|------------|
| | | 14 | | 16 | | 18 | | 19 | | 22 | | 24 | |
| | | TC [kW] | PI [kW] | TC [kW] | PI [kW] | TC [kW] | PI [kW] | TC [kW] | PI [kW] | TC [kW] | PI [kW] | TC [kW] | PI [kW] |
| 07+07+05 | 46 | 4.30 | 1.46 | 4.56 | 1.48 | 4.81 | 1.50 | 4.94 | 1.51 | 5.32 | 1.54 | 5.57 | 1.56 |
| | 43 | 4.46 | 1.41 | 4.71 | 1.43 | 4.96 | 1.45 | 5.09 | 1.46 | 5.47 | 1.49 | 5.73 | 1.52 |
| | 40 | 4.61 | 1.36 | 4.86 | 1.38 | 5.12 | 1.41 | 5.25 | 1.42 | 5.62 | 1.45 | 5.88 | 1.47 |
| | 35 | 4.86 | 1.28 | 5.12 | 1.30 | 5.37 | 1.32 | 5.50 | 1.33 | 5.88 | 1.36 | 6.13 | 1.38 |
| | 32 | 5.02 | 1.24 | 5.27 | 1.26 | 5.53 | 1.29 | 5.66 | 1.29 | 6.03 | 1.33 | 6.29 | 1.34 |
| | 25 | 5.38 | 1.13 | 5.63 | 1.15 | 5.89 | 1.18 | 6.01 | 1.18 | 6.39 | 1.22 | 6.65 | 1.23 |
| | 22 | 5.53 | 1.09 | 5.79 | 1.10 | 6.04 | 1.13 | 6.17 | 1.13 | 6.54 | 1.18 | 6.80 | 1.19 |
| 10+07+05 | 46 | 4.85 | 1.74 | 5.14 | 1.77 | 5.42 | 1.79 | 5.57 | 1.81 | 5.99 | 1.84 | 6.28 | 1.87 |
| | 43 | 5.02 | 1.69 | 5.31 | 1.71 | 5.60 | 1.74 | 5.74 | 1.75 | 6.17 | 1.79 | 6.46 | 1.81 |
| | 40 | 5.20 | 1.63 | 5.48 | 1.65 | 5.77 | 1.68 | 5.91 | 1.69 | 6.34 | 1.73 | 6.63 | 1.76 |
| | 35 | 5.48 | 1.53 | 5.77 | 1.55 | 6.06 | 1.58 | 6.20 | 1.59 | 6.63 | 1.63 | 6.92 | 1.65 |
| | 32 | 5.66 | 1.48 | 5.95 | 1.50 | 6.23 | 1.54 | 6.38 | 1.54 | 6.80 | 1.59 | 7.09 | 1.61 |
| | 25 | 6.06 | 1.36 | 6.35 | 1.37 | 6.64 | 1.41 | 6.78 | 1.41 | 7.20 | 1.46 | 7.50 | 1.47 |
| | 22 | 6.24 | 1.30 | 6.52 | 1.31 | 6.81 | 1.36 | 6.95 | 1.36 | 7.38 | 1.41 | 7.67 | 1.42 |
| 13+07+05 | 46 | 5.63 | 2.20 | 5.97 | 2.23 | 6.30 | 2.26 | 6.47 | 2.28 | 6.96 | 2.33 | 7.30 | 2.36 |
| | 43 | 5.83 | 2.13 | 6.17 | 2.16 | 6.50 | 2.19 | 6.67 | 2.21 | 7.16 | 2.26 | 7.50 | 2.29 |
| | 40 | 6.04 | 2.06 | 6.37 | 2.09 | 6.70 | 2.13 | 6.87 | 2.14 | 7.36 | 2.19 | 7.70 | 2.22 |
| | 35 | 6.37 | 1.93 | 6.70 | 1.96 | 7.03 | 1.99 | 7.20 | 2.01 | 7.70 | 2.06 | 8.03 | 2.09 |
| | 32 | 6.57 | 1.88 | 6.90 | 1.90 | 7.24 | 1.94 | 7.40 | 1.95 | 7.90 | 2.01 | 8.23 | 2.03 |
| | 25 | 7.04 | 1.71 | 7.37 | 1.73 | 7.71 | 1.78 | 7.87 | 1.78 | 8.36 | 1.85 | 8.70 | 1.86 |
| | 22 | 7.24 | 1.64 | 7.58 | 1.66 | 7.91 | 1.71 | 8.07 | 1.71 | 8.56 | 1.78 | 8.91 | 1.79 |
| 16+07+05 | 46 | 6.02 | 2.25 | 6.38 | 2.28 | 6.74 | 2.31 | 6.91 | 2.33 | 7.45 | 2.37 | 7.80 | 2.41 |
| | 43 | 6.24 | 2.17 | 6.60 | 2.21 | 6.95 | 2.24 | 7.13 | 2.26 | 7.66 | 2.30 | 8.02 | 2.34 |
| | 40 | 6.45 | 2.10 | 6.81 | 2.13 | 7.17 | 2.17 | 7.34 | 2.18 | 7.87 | 2.23 | 8.23 | 2.26 |
| | 35 | 6.81 | 1.97 | 7.17 | 2.00 | 7.52 | 2.03 | 7.70 | 2.05 | 8.23 | 2.10 | 8.59 | 2.13 |
| | 32 | 7.03 | 1.91 | 7.38 | 1.94 | 7.74 | 1.98 | 7.92 | 1.99 | 8.45 | 2.05 | 8.81 | 2.07 |
| | 25 | 7.53 | 1.75 | 7.89 | 1.77 | 8.24 | 1.82 | 8.42 | 1.82 | 8.95 | 1.88 | 9.31 | 1.90 |
| | 22 | 7.75 | 1.68 | 8.10 | 1.70 | 8.46 | 1.75 | 8.64 | 1.75 | 9.16 | 1.81 | 9.52 | 1.83 |
| 18+07+05 | 46 | 6.10 | 2.26 | 6.46 | 2.29 | 6.82 | 2.32 | 7.00 | 2.34 | 7.54 | 2.38 | 7.90 | 2.42 |
| | 43 | 6.32 | 2.19 | 6.68 | 2.22 | 7.04 | 2.25 | 7.22 | 2.27 | 7.76 | 2.31 | 8.12 | 2.35 |
| | 40 | 6.54 | 2.11 | 6.90 | 2.14 | 7.26 | 2.18 | 7.44 | 2.19 | 7.98 | 2.24 | 8.34 | 2.27 |
| | 35 | 6.90 | 1.98 | 7.26 | 2.01 | 7.62 | 2.04 | 7.80 | 2.06 | 8.34 | 2.11 | 8.70 | 2.14 |
| | 32 | 7.12 | 1.92 | 7.48 | 1.95 | 7.84 | 1.99 | 8.02 | 2.00 | 8.56 | 2.06 | 8.92 | 2.08 |
| | 25 | 7.63 | 1.76 | 7.99 | 1.78 | 8.35 | 1.83 | 8.53 | 1.83 | 9.06 | 1.89 | 9.43 | 1.91 |
| | 22 | 7.85 | 1.68 | 8.21 | 1.70 | 8.57 | 1.76 | 8.75 | 1.76 | 9.28 | 1.82 | 9.65 | 1.84 |
| 22+07+05 | 46 | 6.10 | 2.33 | 6.46 | 2.37 | 6.82 | 2.40 | 7.00 | 2.42 | 7.54 | 2.47 | 7.90 | 2.50 |
| | 43 | 6.32 | 2.26 | 6.68 | 2.29 | 7.04 | 2.33 | 7.22 | 2.35 | 7.76 | 2.39 | 8.12 | 2.43 |
| | 40 | 6.54 | 2.19 | 6.90 | 2.22 | 7.26 | 2.25 | 7.44 | 2.27 | 7.98 | 2.32 | 8.34 | 2.35 |
| | 35 | 6.90 | 2.05 | 7.26 | 2.08 | 7.62 | 2.11 | 7.80 | 2.13 | 8.34 | 2.18 | 8.70 | 2.21 |
| | 32 | 7.12 | 1.99 | 7.48 | 2.01 | 7.84 | 2.06 | 8.02 | 2.07 | 8.56 | 2.13 | 8.92 | 2.15 |
| | 25 | 7.63 | 1.82 | 7.99 | 1.84 | 8.35 | 1.89 | 8.53 | 1.89 | 9.06 | 1.96 | 9.43 | 1.97 |
| | 22 | 7.85 | 1.74 | 8.21 | 1.76 | 8.57 | 1.82 | 8.75 | 1.82 | 9.28 | 1.88 | 9.65 | 1.90 |
| 24+07+05 | 46 | 6.10 | 2.41 | 6.46 | 2.44 | 6.82 | 2.48 | 7.00 | 2.50 | 7.54 | 2.55 | 7.90 | 2.59 |
| | 43 | 6.32 | 2.33 | 6.68 | 2.37 | 7.04 | 2.40 | 7.22 | 2.42 | 7.76 | 2.47 | 8.12 | 2.51 |
| | 40 | 6.54 | 2.26 | 6.90 | 2.29 | 7.26 | 2.33 | 7.44 | 2.34 | 7.98 | 2.40 | 8.34 | 2.43 |
| | 35 | 6.90 | 2.11 | 7.26 | 2.15 | 7.62 | 2.18 | 7.80 | 2.20 | 8.34 | 2.25 | 8.70 | 2.29 |
| | 32 | 7.12 | 2.05 | 7.48 | 2.08 | 7.84 | 2.13 | 8.02 | 2.14 | 8.56 | 2.20 | 8.92 | 2.22 |
| | 25 | 7.63 | 1.87 | 7.99 | 1.90 | 8.35 | 1.95 | 8.53 | 1.95 | 9.06 | 2.02 | 9.43 | 2.04 |
| | 22 | 7.85 | 1.80 | 8.21 | 1.82 | 8.57 | 1.88 | 8.75 | 1.88 | 9.28 | 1.94 | 9.65 | 1.96 |
| 10+10+05 | 46 | 5.40 | 2.05 | 5.72 | 2.08 | 6.04 | 2.11 | 6.20 | 2.13 | 6.67 | 2.16 | 6.99 | 2.20 |
| | 43 | 5.59 | 1.98 | 5.91 | 2.01 | 6.23 | 2.04 | 6.39 | 2.06 | 6.86 | 2.10 | 7.18 | 2.13 |
| | 40 | 5.78 | 1.92 | 6.10 | 1.95 | 6.42 | 1.98 | 6.58 | 1.99 | 7.06 | 2.04 | 7.38 | 2.06 |
| | 35 | 6.10 | 1.80 | 6.42 | 1.83 | 6.74 | 1.85 | 6.90 | 1.87 | 7.38 | 1.91 | 7.70 | 1.94 |
| | 32 | 6.30 | 1.75 | 6.62 | 1.77 | 6.94 | 1.81 | 7.10 | 1.82 | 7.57 | 1.87 | 7.89 | 1.89 |
| | 25 | 6.75 | 1.59 | 7.07 | 1.61 | 7.39 | 1.66 | 7.55 | 1.66 | 8.02 | 1.72 | 8.34 | 1.73 |
| | 22 | 6.94 | 1.53 | 7.26 | 1.55 | 7.58 | 1.59 | 7.74 | 1.59 | 8.21 | 1.65 | 8.53 | 1.67 |

Cooling

4-rooms multisplit : 3 - unit operation

Indoor units : 13 type + 10 type + 05 type 24 type + 10 type + 05 type
 16 type + 10 type + 05 type 13 type + 13 type + 05 type
 18 type + 10 type + 05 type 16 type + 13 type + 05 type
 22 type + 10 type + 05 type 18 type + 13 type + 05 type

Outdoor unit : RAS-4M27U2AVG-E

| Combination (Capacity) | Outdoor air temp. [°C DB] | Indoor air temp. [°C WB] | | | | | | | | | | | |
|---------------------------|---------------------------------|--------------------------|------------|------------|------------|------------|------------|------------|------------|------------|------------|------------|------------|
| | | 14 | | 16 | | 18 | | 19 | | 22 | | 24 | |
| | | TC [kW] | PI [kW] | TC [kW] | PI [kW] | TC [kW] | PI [kW] | TC [kW] | PI [kW] | TC [kW] | PI [kW] | TC [kW] | PI [kW] |
| 13+10+05 | 46 | 6.02 | 2.45 | 6.38 | 2.49 | 6.74 | 2.52 | 6.91 | 2.55 | 7.45 | 2.59 | 7.80 | 2.63 |
| | 43 | 6.24 | 2.38 | 6.60 | 2.41 | 6.95 | 2.45 | 7.13 | 2.47 | 7.66 | 2.52 | 8.02 | 2.55 |
| | 40 | 6.45 | 2.30 | 6.81 | 2.33 | 7.17 | 2.37 | 7.34 | 2.39 | 7.87 | 2.44 | 8.23 | 2.47 |
| | 35 | 6.81 | 2.15 | 7.17 | 2.19 | 7.52 | 2.22 | 7.70 | 2.24 | 8.23 | 2.29 | 8.59 | 2.33 |
| | 32 | 7.03 | 2.09 | 7.38 | 2.12 | 7.74 | 2.17 | 7.92 | 2.17 | 8.45 | 2.24 | 8.81 | 2.26 |
| | 25 | 7.53 | 1.91 | 7.89 | 1.93 | 8.24 | 1.99 | 8.42 | 1.99 | 8.95 | 2.06 | 9.31 | 2.08 |
| | 22 | 7.75 | 1.83 | 8.10 | 1.85 | 8.46 | 1.91 | 8.64 | 1.91 | 9.16 | 1.98 | 9.52 | 2.00 |
| 16+10+05 | 46 | 6.10 | 2.28 | 6.46 | 2.31 | 6.82 | 2.34 | 7.00 | 2.36 | 7.54 | 2.41 | 7.90 | 2.44 |
| | 43 | 6.32 | 2.21 | 6.68 | 2.24 | 7.04 | 2.27 | 7.22 | 2.29 | 7.76 | 2.34 | 8.12 | 2.37 |
| | 40 | 6.54 | 2.13 | 6.90 | 2.16 | 7.26 | 2.20 | 7.44 | 2.22 | 7.98 | 2.27 | 8.34 | 2.30 |
| | 35 | 6.90 | 2.00 | 7.26 | 2.03 | 7.62 | 2.06 | 7.80 | 2.08 | 8.34 | 2.13 | 8.70 | 2.16 |
| | 32 | 7.12 | 1.94 | 7.48 | 1.97 | 7.84 | 2.01 | 8.02 | 2.02 | 8.56 | 2.08 | 8.92 | 2.10 |
| | 25 | 7.63 | 1.77 | 7.99 | 1.79 | 8.35 | 1.84 | 8.53 | 1.85 | 9.06 | 1.91 | 9.43 | 1.93 |
| | 22 | 7.85 | 1.70 | 8.21 | 1.72 | 8.57 | 1.77 | 8.75 | 1.77 | 9.28 | 1.84 | 9.65 | 1.85 |
| 18+10+05 | 46 | 6.10 | 2.31 | 6.46 | 2.34 | 6.82 | 2.38 | 7.00 | 2.40 | 7.54 | 2.44 | 7.90 | 2.48 |
| | 43 | 6.32 | 2.24 | 6.68 | 2.27 | 7.04 | 2.30 | 7.22 | 2.32 | 7.76 | 2.37 | 8.12 | 2.40 |
| | 40 | 6.54 | 2.17 | 6.90 | 2.19 | 7.26 | 2.23 | 7.44 | 2.25 | 7.98 | 2.30 | 8.34 | 2.33 |
| | 35 | 6.90 | 2.03 | 7.26 | 2.06 | 7.62 | 2.09 | 7.80 | 2.11 | 8.34 | 2.16 | 8.70 | 2.19 |
| | 32 | 7.12 | 1.97 | 7.48 | 1.99 | 7.84 | 2.04 | 8.02 | 2.05 | 8.56 | 2.11 | 8.92 | 2.13 |
| | 25 | 7.63 | 1.80 | 7.99 | 1.82 | 8.35 | 1.87 | 8.53 | 1.87 | 9.06 | 1.94 | 9.43 | 1.96 |
| | 22 | 7.85 | 1.72 | 8.21 | 1.74 | 8.57 | 1.80 | 8.75 | 1.80 | 9.28 | 1.87 | 9.65 | 1.88 |
| 22+10+05 | 46 | 6.10 | 2.39 | 6.46 | 2.42 | 6.82 | 2.46 | 7.00 | 2.48 | 7.54 | 2.52 | 7.90 | 2.56 |
| | 43 | 6.32 | 2.31 | 6.68 | 2.35 | 7.04 | 2.38 | 7.22 | 2.40 | 7.76 | 2.45 | 8.12 | 2.48 |
| | 40 | 6.54 | 2.24 | 6.90 | 2.27 | 7.26 | 2.31 | 7.44 | 2.32 | 7.98 | 2.37 | 8.34 | 2.41 |
| | 35 | 6.90 | 2.09 | 7.26 | 2.13 | 7.62 | 2.16 | 7.80 | 2.18 | 8.34 | 2.23 | 8.70 | 2.26 |
| | 32 | 7.12 | 2.03 | 7.48 | 2.06 | 7.84 | 2.11 | 8.02 | 2.12 | 8.56 | 2.18 | 8.92 | 2.20 |
| | 25 | 7.63 | 1.86 | 7.99 | 1.88 | 8.35 | 1.93 | 8.53 | 1.94 | 9.06 | 2.00 | 9.43 | 2.02 |
| | 22 | 7.85 | 1.78 | 8.21 | 1.80 | 8.57 | 1.86 | 8.75 | 1.86 | 9.28 | 1.93 | 9.65 | 1.94 |
| 24+10+05 | 46 | 6.10 | 2.42 | 6.46 | 2.46 | 6.82 | 2.49 | 7.00 | 2.51 | 7.54 | 2.56 | 7.90 | 2.60 |
| | 43 | 6.32 | 2.34 | 6.68 | 2.38 | 7.04 | 2.41 | 7.22 | 2.43 | 7.76 | 2.48 | 8.12 | 2.52 |
| | 40 | 6.54 | 2.27 | 6.90 | 2.30 | 7.26 | 2.34 | 7.44 | 2.35 | 7.98 | 2.41 | 8.34 | 2.44 |
| | 35 | 6.90 | 2.12 | 7.26 | 2.16 | 7.62 | 2.19 | 7.80 | 2.21 | 8.34 | 2.26 | 8.70 | 2.30 |
| | 32 | 7.12 | 2.06 | 7.48 | 2.09 | 7.84 | 2.14 | 8.02 | 2.15 | 8.56 | 2.21 | 8.92 | 2.23 |
| | 25 | 7.63 | 1.88 | 7.99 | 1.91 | 8.35 | 1.96 | 8.53 | 1.96 | 9.06 | 2.03 | 9.43 | 2.05 |
| | 22 | 7.85 | 1.81 | 8.21 | 1.83 | 8.57 | 1.88 | 8.75 | 1.88 | 9.28 | 1.95 | 9.65 | 1.97 |
| 13+13+05 | 46 | 6.10 | 2.38 | 6.46 | 2.41 | 6.82 | 2.44 | 7.00 | 2.47 | 7.54 | 2.51 | 7.90 | 2.55 |
| | 43 | 6.32 | 2.30 | 6.68 | 2.33 | 7.04 | 2.37 | 7.22 | 2.39 | 7.76 | 2.44 | 8.12 | 2.47 |
| | 40 | 6.54 | 2.23 | 6.90 | 2.26 | 7.26 | 2.30 | 7.44 | 2.31 | 7.98 | 2.36 | 8.34 | 2.40 |
| | 35 | 6.90 | 2.08 | 7.26 | 2.12 | 7.62 | 2.15 | 7.80 | 2.17 | 8.34 | 2.22 | 8.70 | 2.25 |
| | 32 | 7.12 | 2.03 | 7.48 | 2.05 | 7.84 | 2.10 | 8.02 | 2.11 | 8.56 | 2.17 | 8.92 | 2.19 |
| | 25 | 7.63 | 1.85 | 7.99 | 1.87 | 8.35 | 1.92 | 8.53 | 1.93 | 9.06 | 1.99 | 9.43 | 2.01 |
| | 22 | 7.85 | 1.77 | 8.21 | 1.79 | 8.57 | 1.85 | 8.75 | 1.85 | 9.28 | 1.92 | 9.65 | 1.93 |
| 16+13+05 | 46 | 6.10 | 2.40 | 6.46 | 2.43 | 6.82 | 2.47 | 7.00 | 2.49 | 7.54 | 2.54 | 7.90 | 2.57 |
| | 43 | 6.32 | 2.32 | 6.68 | 2.36 | 7.04 | 2.39 | 7.22 | 2.41 | 7.76 | 2.46 | 8.12 | 2.50 |
| | 40 | 6.54 | 2.25 | 6.90 | 2.28 | 7.26 | 2.32 | 7.44 | 2.33 | 7.98 | 2.39 | 8.34 | 2.42 |
| | 35 | 6.90 | 2.10 | 7.26 | 2.14 | 7.62 | 2.17 | 7.80 | 2.19 | 8.34 | 2.24 | 8.70 | 2.27 |
| | 32 | 7.12 | 2.04 | 7.48 | 2.07 | 7.84 | 2.12 | 8.02 | 2.13 | 8.56 | 2.19 | 8.92 | 2.21 |
| | 25 | 7.63 | 1.87 | 7.99 | 1.89 | 8.35 | 1.94 | 8.53 | 1.94 | 9.06 | 2.01 | 9.43 | 2.03 |
| | 22 | 7.85 | 1.79 | 8.21 | 1.81 | 8.57 | 1.87 | 8.75 | 1.87 | 9.28 | 1.94 | 9.65 | 1.95 |
| 18+13+05 | 46 | 6.10 | 2.39 | 6.46 | 2.42 | 6.82 | 2.46 | 7.00 | 2.48 | 7.54 | 2.52 | 7.90 | 2.56 |
| | 43 | 6.32 | 2.31 | 6.68 | 2.35 | 7.04 | 2.38 | 7.22 | 2.40 | 7.76 | 2.45 | 8.12 | 2.48 |
| | 40 | 6.54 | 2.24 | 6.90 | 2.27 | 7.26 | 2.31 | 7.44 | 2.32 | 7.98 | 2.37 | 8.34 | 2.41 |
| | 35 | 6.90 | 2.09 | 7.26 | 2.13 | 7.62 | 2.16 | 7.80 | 2.18 | 8.34 | 2.23 | 8.70 | 2.26 |
| | 32 | 7.12 | 2.03 | 7.48 | 2.06 | 7.84 | 2.11 | 8.02 | 2.12 | 8.56 | 2.18 | 8.92 | 2.20 |
| | 25 | 7.63 | 1.86 | 7.99 | 1.88 | 8.35 | 1.93 | 8.53 | 1.94 | 9.06 | 2.00 | 9.43 | 2.02 |
| | 22 | 7.85 | 1.78 | 8.21 | 1.80 | 8.57 | 1.86 | 8.75 | 1.86 | 9.28 | 1.93 | 9.65 | 1.94 |

Cooling

4-rooms multisplit : 3- unit operation

Indoor units : 22type + 13type + 05type 22type + 16type + 05type
 24type + 13type + 05type 24type + 16type + 05type
 16type + 16type + 05type 18type + 18type + 05type
 18type + 16type + 05type 22type + 18type + 05type

Outdoor unit : RAS-4M27U2AVG-E

| Combination (Capacity) | Outdoor air temp. [°C DB] | Indoor air temp. [°C WB] | | | | | | | | | | | |
|---------------------------|---------------------------------|--------------------------|------------|------------|------------|------------|------------|------------|------------|------------|------------|------------|------------|
| | | 14 | | 16 | | 18 | | 19 | | 22 | | 24 | |
| | | TC [kW] | PI [kW] | TC [kW] | PI [kW] | TC [kW] | PI [kW] | TC [kW] | PI [kW] | TC [kW] | PI [kW] | TC [kW] | PI [kW] |
| 22+13+05 | 46 | 6.18 | 2.42 | 6.55 | 2.46 | 6.91 | 2.49 | 7.09 | 2.51 | 7.64 | 2.56 | 8.01 | 2.60 |
| | 43 | 6.40 | 2.34 | 6.77 | 2.38 | 7.13 | 2.41 | 7.31 | 2.43 | 7.86 | 2.48 | 8.23 | 2.52 |
| | 40 | 6.62 | 2.27 | 6.99 | 2.30 | 7.35 | 2.34 | 7.54 | 2.35 | 8.08 | 2.41 | 8.45 | 2.44 |
| | 35 | 6.99 | 2.12 | 7.35 | 2.16 | 7.72 | 2.19 | 7.90 | 2.21 | 8.45 | 2.26 | 8.81 | 2.30 |
| | 32 | 7.21 | 2.06 | 7.58 | 2.09 | 7.94 | 2.14 | 8.12 | 2.15 | 8.66 | 2.21 | 9.04 | 2.23 |
| | 25 | 7.73 | 1.88 | 8.09 | 1.91 | 8.46 | 1.96 | 8.64 | 1.96 | 9.18 | 2.03 | 9.55 | 2.05 |
| 22 | 7.95 | 1.81 | 8.31 | 1.83 | 8.68 | 1.88 | 8.86 | 1.88 | 9.40 | 1.95 | 9.77 | 1.97 | |
| 24+13+05 | 46 | 6.18 | 2.44 | 6.55 | 2.48 | 6.91 | 2.51 | 7.09 | 2.53 | 7.64 | 2.58 | 8.01 | 2.62 |
| | 43 | 6.40 | 2.37 | 6.77 | 2.40 | 7.13 | 2.44 | 7.31 | 2.46 | 7.86 | 2.51 | 8.23 | 2.54 |
| | 40 | 6.62 | 2.29 | 6.99 | 2.32 | 7.35 | 2.36 | 7.54 | 2.38 | 8.08 | 2.43 | 8.45 | 2.46 |
| | 35 | 6.99 | 2.14 | 7.35 | 2.18 | 7.72 | 2.21 | 7.90 | 2.23 | 8.45 | 2.28 | 8.81 | 2.32 |
| | 32 | 7.21 | 2.08 | 7.58 | 2.11 | 7.94 | 2.16 | 8.12 | 2.16 | 8.66 | 2.23 | 9.04 | 2.25 |
| | 25 | 7.73 | 1.90 | 8.09 | 1.92 | 8.46 | 1.98 | 8.64 | 1.98 | 9.18 | 2.05 | 9.55 | 2.07 |
| 22 | 7.95 | 1.82 | 8.31 | 1.84 | 8.68 | 1.90 | 8.86 | 1.90 | 9.40 | 1.97 | 9.77 | 1.99 | |
| 16+16+05 | 46 | 6.10 | 2.41 | 6.46 | 2.44 | 6.82 | 2.48 | 7.00 | 2.50 | 7.54 | 2.55 | 7.90 | 2.59 |
| | 43 | 6.32 | 2.33 | 6.68 | 2.37 | 7.04 | 2.40 | 7.22 | 2.42 | 7.76 | 2.47 | 8.12 | 2.51 |
| | 40 | 6.54 | 2.26 | 6.90 | 2.29 | 7.26 | 2.33 | 7.44 | 2.34 | 7.98 | 2.40 | 8.34 | 2.43 |
| | 35 | 6.90 | 2.11 | 7.26 | 2.15 | 7.62 | 2.18 | 7.80 | 2.20 | 8.34 | 2.25 | 8.70 | 2.29 |
| | 32 | 7.12 | 2.05 | 7.48 | 2.08 | 7.84 | 2.13 | 8.02 | 2.14 | 8.56 | 2.20 | 8.92 | 2.22 |
| | 25 | 7.63 | 1.87 | 7.99 | 1.90 | 8.35 | 1.95 | 8.53 | 1.95 | 9.06 | 2.02 | 9.43 | 2.04 |
| 22 | 7.85 | 1.80 | 8.21 | 1.82 | 8.57 | 1.88 | 8.75 | 1.88 | 9.28 | 1.94 | 9.65 | 1.96 | |
| 18+16+05 | 46 | 6.10 | 2.42 | 6.46 | 2.46 | 6.82 | 2.49 | 7.00 | 2.51 | 7.54 | 2.56 | 7.90 | 2.60 |
| | 43 | 6.32 | 2.34 | 6.68 | 2.38 | 7.04 | 2.41 | 7.22 | 2.43 | 7.76 | 2.48 | 8.12 | 2.52 |
| | 40 | 6.54 | 2.27 | 6.90 | 2.30 | 7.26 | 2.34 | 7.44 | 2.35 | 7.98 | 2.41 | 8.34 | 2.44 |
| | 35 | 6.90 | 2.12 | 7.26 | 2.16 | 7.62 | 2.19 | 7.80 | 2.21 | 8.34 | 2.26 | 8.70 | 2.30 |
| | 32 | 7.12 | 2.06 | 7.48 | 2.09 | 7.84 | 2.14 | 8.02 | 2.15 | 8.56 | 2.21 | 8.92 | 2.23 |
| | 25 | 7.63 | 1.88 | 7.99 | 1.91 | 8.35 | 1.96 | 8.53 | 1.96 | 9.06 | 2.03 | 9.43 | 2.05 |
| 22 | 7.85 | 1.81 | 8.21 | 1.83 | 8.57 | 1.88 | 8.75 | 1.88 | 9.28 | 1.95 | 9.65 | 1.97 | |
| 22+16+05 | 46 | 6.18 | 2.44 | 6.55 | 2.48 | 6.91 | 2.51 | 7.09 | 2.53 | 7.64 | 2.58 | 8.01 | 2.62 |
| | 43 | 6.40 | 2.37 | 6.77 | 2.40 | 7.13 | 2.44 | 7.31 | 2.46 | 7.86 | 2.51 | 8.23 | 2.54 |
| | 40 | 6.62 | 2.29 | 6.99 | 2.32 | 7.35 | 2.36 | 7.54 | 2.38 | 8.08 | 2.43 | 8.45 | 2.46 |
| | 35 | 6.99 | 2.14 | 7.35 | 2.18 | 7.72 | 2.21 | 7.90 | 2.23 | 8.45 | 2.28 | 8.81 | 2.32 |
| | 32 | 7.21 | 2.08 | 7.58 | 2.11 | 7.94 | 2.16 | 8.12 | 2.16 | 8.66 | 2.23 | 9.04 | 2.25 |
| | 25 | 7.73 | 1.90 | 8.09 | 1.92 | 8.46 | 1.98 | 8.64 | 1.98 | 9.18 | 2.05 | 9.55 | 2.07 |
| 22 | 7.95 | 1.82 | 8.31 | 1.84 | 8.68 | 1.90 | 8.86 | 1.90 | 9.40 | 1.97 | 9.77 | 1.99 | |
| 24+16+05 | 46 | 6.18 | 2.44 | 6.55 | 2.48 | 6.91 | 2.51 | 7.09 | 2.53 | 7.64 | 2.58 | 8.01 | 2.62 |
| | 43 | 6.40 | 2.37 | 6.77 | 2.40 | 7.13 | 2.44 | 7.31 | 2.46 | 7.86 | 2.51 | 8.23 | 2.54 |
| | 40 | 6.62 | 2.29 | 6.99 | 2.32 | 7.35 | 2.36 | 7.54 | 2.38 | 8.08 | 2.43 | 8.45 | 2.46 |
| | 35 | 6.99 | 2.14 | 7.35 | 2.18 | 7.72 | 2.21 | 7.90 | 2.23 | 8.45 | 2.28 | 8.81 | 2.32 |
| | 32 | 7.21 | 2.08 | 7.58 | 2.11 | 7.94 | 2.16 | 8.12 | 2.16 | 8.66 | 2.23 | 9.04 | 2.25 |
| | 25 | 7.73 | 1.90 | 8.09 | 1.92 | 8.46 | 1.98 | 8.64 | 1.98 | 9.18 | 2.05 | 9.55 | 2.07 |
| 22 | 7.95 | 1.82 | 8.31 | 1.84 | 8.68 | 1.90 | 8.86 | 1.90 | 9.40 | 1.97 | 9.77 | 1.99 | |
| 18+18+05 | 46 | 6.18 | 2.43 | 6.55 | 2.47 | 6.91 | 2.50 | 7.09 | 2.52 | 7.64 | 2.57 | 8.01 | 2.61 |
| | 43 | 6.40 | 2.36 | 6.77 | 2.39 | 7.13 | 2.42 | 7.31 | 2.44 | 7.86 | 2.49 | 8.23 | 2.53 |
| | 40 | 6.62 | 2.28 | 6.99 | 2.31 | 7.35 | 2.35 | 7.54 | 2.37 | 8.08 | 2.42 | 8.45 | 2.45 |
| | 35 | 6.99 | 2.13 | 7.35 | 2.17 | 7.72 | 2.20 | 7.90 | 2.22 | 8.45 | 2.27 | 8.81 | 2.31 |
| | 32 | 7.21 | 2.07 | 7.58 | 2.10 | 7.94 | 2.15 | 8.12 | 2.16 | 8.66 | 2.22 | 9.04 | 2.24 |
| | 25 | 7.73 | 1.89 | 8.09 | 1.91 | 8.46 | 1.97 | 8.64 | 1.97 | 9.18 | 2.04 | 9.55 | 2.06 |
| 22 | 7.95 | 1.81 | 8.31 | 1.84 | 8.68 | 1.89 | 8.86 | 1.89 | 9.40 | 1.96 | 9.77 | 1.98 | |
| 22+18+05 | 46 | 6.18 | 2.45 | 6.55 | 2.49 | 6.91 | 2.52 | 7.09 | 2.55 | 7.64 | 2.59 | 8.01 | 2.63 |
| | 43 | 6.40 | 2.38 | 6.77 | 2.41 | 7.13 | 2.45 | 7.31 | 2.47 | 7.86 | 2.52 | 8.23 | 2.55 |
| | 40 | 6.62 | 2.30 | 6.99 | 2.33 | 7.35 | 2.37 | 7.54 | 2.39 | 8.08 | 2.44 | 8.45 | 2.47 |
| | 35 | 6.99 | 2.15 | 7.35 | 2.19 | 7.72 | 2.22 | 7.90 | 2.24 | 8.45 | 2.29 | 8.81 | 2.33 |
| | 32 | 7.21 | 2.09 | 7.58 | 2.12 | 7.94 | 2.17 | 8.12 | 2.17 | 8.66 | 2.24 | 9.04 | 2.26 |
| | 25 | 7.73 | 1.91 | 8.09 | 1.93 | 8.46 | 1.99 | 8.64 | 1.99 | 9.18 | 2.06 | 9.55 | 2.08 |
| 22 | 7.95 | 1.83 | 8.31 | 1.85 | 8.68 | 1.91 | 8.86 | 1.91 | 9.40 | 1.98 | 9.77 | 2.00 | |

Cooling

4 - rooms multisplit : 3 - unit operation

Indoor units : 24 type + 18 type + 05 type 16 type + 07 type + 07type
 07 type + 07 type + 07 type 18 type + 07 type + 07type
 10 type + 07 type + 07 type 22 type + 07 type + 07type
 13 type + 07 type + 07 type 24 type + 07 type + 07type

Outdoor unit : RAS-4M27U2AVG-E

| Combination (Capacity) | Outdoor air temp. [°C DB] | Indoor air temp. [°C WB] | | | | | | | | | | | |
|---------------------------|---------------------------------|--------------------------|------------|------------|------------|------------|------------|------------|------------|------------|------------|------------|------------|
| | | 14 | | 16 | | 18 | | 19 | | 22 | | 24 | |
| | | TC [kW] | PI [kW] | TC [kW] | PI [kW] | TC [kW] | PI [kW] | TC [kW] | PI [kW] | TC [kW] | PI [kW] | TC [kW] | PI [kW] |
| 24+18+05 | 46 | 6.18 | 2.44 | 6.55 | 2.48 | 6.91 | 2.51 | 7.09 | 2.53 | 7.64 | 2.58 | 8.01 | 2.62 |
| | 43 | 6.40 | 2.37 | 6.77 | 2.40 | 7.13 | 2.44 | 7.31 | 2.46 | 7.86 | 2.51 | 8.23 | 2.54 |
| | 40 | 6.62 | 2.29 | 6.99 | 2.32 | 7.35 | 2.36 | 7.54 | 2.38 | 8.08 | 2.43 | 8.45 | 2.46 |
| | 35 | 6.99 | 2.14 | 7.35 | 2.18 | 7.72 | 2.21 | 7.90 | 2.23 | 8.45 | 2.28 | 8.81 | 2.32 |
| | 32 | 7.21 | 2.08 | 7.58 | 2.11 | 7.94 | 2.16 | 8.12 | 2.16 | 8.66 | 2.23 | 9.04 | 2.25 |
| | 25 | 7.73 | 1.90 | 8.09 | 1.92 | 8.46 | 1.98 | 8.64 | 1.98 | 9.18 | 2.05 | 9.55 | 2.07 |
| 22 | 7.95 | 1.82 | 8.31 | 1.84 | 8.68 | 1.90 | 8.86 | 1.90 | 9.40 | 1.97 | 9.77 | 1.99 | |
| 07+07+07 | 46 | 4.69 | 2.36 | 4.97 | 2.39 | 5.25 | 2.42 | 5.39 | 2.44 | 5.80 | 2.49 | 6.08 | 2.53 |
| | 43 | 4.86 | 2.28 | 5.14 | 2.31 | 5.42 | 2.35 | 5.56 | 2.37 | 5.97 | 2.42 | 6.25 | 2.45 |
| | 40 | 5.03 | 2.21 | 5.31 | 2.24 | 5.58 | 2.27 | 5.72 | 2.29 | 6.14 | 2.34 | 6.42 | 2.37 |
| | 35 | 5.31 | 2.06 | 5.58 | 2.10 | 5.86 | 2.13 | 6.00 | 2.15 | 6.41 | 2.20 | 6.69 | 2.23 |
| | 32 | 5.48 | 2.01 | 5.75 | 2.03 | 6.03 | 2.08 | 6.17 | 2.09 | 6.58 | 2.15 | 6.86 | 2.17 |
| | 25 | 5.87 | 1.83 | 6.15 | 1.85 | 6.42 | 1.91 | 6.56 | 1.91 | 6.97 | 1.97 | 7.25 | 1.99 |
| 22 | 6.04 | 1.76 | 6.31 | 1.78 | 6.59 | 1.83 | 6.73 | 1.83 | 7.14 | 1.90 | 7.42 | 1.92 | |
| 10+07+07 | 46 | 5.24 | 2.63 | 5.55 | 2.67 | 5.86 | 2.70 | 6.02 | 2.73 | 6.48 | 2.78 | 6.79 | 2.82 |
| | 43 | 5.43 | 2.55 | 5.74 | 2.58 | 6.05 | 2.62 | 6.20 | 2.64 | 6.66 | 2.70 | 6.98 | 2.74 |
| | 40 | 5.62 | 2.46 | 5.93 | 2.50 | 6.24 | 2.54 | 6.39 | 2.56 | 6.85 | 2.61 | 7.16 | 2.65 |
| | 35 | 5.93 | 2.31 | 6.23 | 2.34 | 6.54 | 2.38 | 6.70 | 2.40 | 7.16 | 2.46 | 7.47 | 2.49 |
| | 32 | 6.12 | 2.24 | 6.43 | 2.27 | 6.73 | 2.32 | 6.89 | 2.33 | 7.35 | 2.40 | 7.66 | 2.42 |
| | 25 | 6.55 | 2.05 | 6.86 | 2.07 | 7.17 | 2.13 | 7.33 | 2.13 | 7.78 | 2.20 | 8.10 | 2.22 |
| 22 | 6.74 | 1.96 | 7.05 | 1.98 | 7.36 | 2.05 | 7.51 | 2.05 | 7.97 | 2.12 | 8.29 | 2.14 | |
| 13+07+07 | 46 | 5.95 | 2.64 | 6.30 | 2.68 | 6.65 | 2.71 | 6.82 | 2.74 | 7.35 | 2.79 | 7.70 | 2.83 |
| | 43 | 6.16 | 2.56 | 6.51 | 2.59 | 6.86 | 2.63 | 7.04 | 2.65 | 7.56 | 2.71 | 7.91 | 2.75 |
| | 40 | 6.37 | 2.47 | 6.72 | 2.51 | 7.07 | 2.55 | 7.25 | 2.57 | 7.77 | 2.62 | 8.13 | 2.66 |
| | 35 | 6.72 | 2.31 | 7.07 | 2.35 | 7.42 | 2.39 | 7.60 | 2.41 | 8.13 | 2.47 | 8.48 | 2.50 |
| | 32 | 6.94 | 2.25 | 7.29 | 2.28 | 7.64 | 2.33 | 7.82 | 2.34 | 8.34 | 2.41 | 8.69 | 2.43 |
| | 25 | 7.43 | 2.05 | 7.78 | 2.08 | 8.14 | 2.14 | 8.31 | 2.14 | 8.83 | 2.21 | 9.19 | 2.23 |
| 22 | 7.64 | 1.97 | 8.00 | 1.99 | 8.35 | 2.06 | 8.52 | 2.05 | 9.04 | 2.13 | 9.40 | 2.15 | |
| 16+07+07 | 46 | 6.02 | 2.64 | 6.38 | 2.68 | 6.74 | 2.71 | 6.91 | 2.74 | 7.45 | 2.79 | 7.80 | 2.83 |
| | 43 | 6.24 | 2.56 | 6.60 | 2.59 | 6.95 | 2.63 | 7.13 | 2.65 | 7.66 | 2.71 | 8.02 | 2.75 |
| | 40 | 6.45 | 2.47 | 6.81 | 2.51 | 7.17 | 2.55 | 7.34 | 2.57 | 7.87 | 2.62 | 8.23 | 2.66 |
| | 35 | 6.81 | 2.31 | 7.17 | 2.35 | 7.52 | 2.39 | 7.70 | 2.41 | 8.23 | 2.47 | 8.59 | 2.50 |
| | 32 | 7.03 | 2.25 | 7.38 | 2.28 | 7.74 | 2.33 | 7.92 | 2.34 | 8.45 | 2.41 | 8.81 | 2.43 |
| | 25 | 7.53 | 2.05 | 7.89 | 2.08 | 8.24 | 2.14 | 8.42 | 2.14 | 8.95 | 2.21 | 9.31 | 2.23 |
| 22 | 7.75 | 1.97 | 8.10 | 1.99 | 8.46 | 2.06 | 8.64 | 2.05 | 9.16 | 2.13 | 9.52 | 2.15 | |
| 18+07+07 | 46 | 6.02 | 2.64 | 6.38 | 2.68 | 6.74 | 2.71 | 6.91 | 2.74 | 7.45 | 2.79 | 7.80 | 2.83 |
| | 43 | 6.24 | 2.56 | 6.60 | 2.59 | 6.95 | 2.63 | 7.13 | 2.65 | 7.66 | 2.71 | 8.02 | 2.75 |
| | 40 | 6.45 | 2.47 | 6.81 | 2.51 | 7.17 | 2.55 | 7.34 | 2.57 | 7.87 | 2.62 | 8.23 | 2.66 |
| | 35 | 6.81 | 2.31 | 7.17 | 2.35 | 7.52 | 2.39 | 7.70 | 2.41 | 8.23 | 2.47 | 8.59 | 2.50 |
| | 32 | 7.03 | 2.25 | 7.38 | 2.28 | 7.74 | 2.33 | 7.92 | 2.34 | 8.45 | 2.41 | 8.81 | 2.43 |
| | 25 | 7.53 | 2.05 | 7.89 | 2.08 | 8.24 | 2.14 | 8.42 | 2.14 | 8.95 | 2.21 | 9.31 | 2.23 |
| 22 | 7.75 | 1.97 | 8.10 | 1.99 | 8.46 | 2.06 | 8.64 | 2.05 | 9.16 | 2.13 | 9.52 | 2.15 | |
| 22+07+07 | 46 | 6.10 | 2.66 | 6.46 | 2.70 | 6.82 | 2.74 | 7.00 | 2.76 | 7.54 | 2.81 | 7.90 | 2.86 |
| | 43 | 6.32 | 2.58 | 6.68 | 2.61 | 7.04 | 2.65 | 7.22 | 2.68 | 7.76 | 2.73 | 8.12 | 2.77 |
| | 40 | 6.54 | 2.49 | 6.90 | 2.53 | 7.26 | 2.57 | 7.44 | 2.59 | 7.98 | 2.65 | 8.34 | 2.68 |
| | 35 | 6.90 | 2.33 | 7.26 | 2.37 | 7.62 | 2.41 | 7.80 | 2.43 | 8.34 | 2.49 | 8.70 | 2.52 |
| | 32 | 7.12 | 2.27 | 7.48 | 2.30 | 7.84 | 2.35 | 8.02 | 2.36 | 8.56 | 2.43 | 8.92 | 2.45 |
| | 25 | 7.63 | 2.07 | 7.99 | 2.10 | 8.35 | 2.16 | 8.53 | 2.16 | 9.06 | 2.23 | 9.43 | 2.25 |
| 22 | 7.85 | 1.99 | 8.21 | 2.01 | 8.57 | 2.07 | 8.75 | 2.07 | 9.28 | 2.15 | 9.65 | 2.17 | |
| 24+07+07 | 46 | 6.10 | 2.66 | 6.46 | 2.70 | 6.82 | 2.74 | 7.00 | 2.76 | 7.54 | 2.81 | 7.90 | 2.86 |
| | 43 | 6.32 | 2.58 | 6.68 | 2.61 | 7.04 | 2.65 | 7.22 | 2.68 | 7.76 | 2.73 | 8.12 | 2.77 |
| | 40 | 6.54 | 2.49 | 6.90 | 2.53 | 7.26 | 2.57 | 7.44 | 2.59 | 7.98 | 2.65 | 8.34 | 2.68 |
| | 35 | 6.90 | 2.33 | 7.26 | 2.37 | 7.62 | 2.41 | 7.80 | 2.43 | 8.34 | 2.49 | 8.70 | 2.52 |
| | 32 | 7.12 | 2.27 | 7.48 | 2.30 | 7.84 | 2.35 | 8.02 | 2.36 | 8.56 | 2.43 | 8.92 | 2.45 |
| | 25 | 7.63 | 2.07 | 7.99 | 2.10 | 8.35 | 2.16 | 8.53 | 2.16 | 9.06 | 2.23 | 9.43 | 2.25 |
| 22 | 7.85 | 1.99 | 8.21 | 2.01 | 8.57 | 2.07 | 8.75 | 2.07 | 9.28 | 2.15 | 9.65 | 2.17 | |

Cooling

4-rooms multisplit : 3 - unit operation

Indoor units : 10 type + 10 type + 07 type 22 type + 10 type + 07 type
 13 type + 10 type + 07 type 24 type + 10 type + 07 type
 16 type + 10 type + 07 type 13 type + 13 type + 07 type
 18 type + 10 type + 07 type 16 type + 13 type + 07 type

Outdoor unit : RAS-4M27U2AVG-E

| Combination (Capacity) | Outdoor air temp. [°C DB] | Indoor air temp. [°C WB] | | | | | | | | | | | |
|---------------------------|---------------------------------|--------------------------|------------|------------|------------|------------|------------|------------|------------|------------|------------|------------|------------|
| | | 14 | | 16 | | 18 | | 19 | | 22 | | 24 | |
| | | TC [kW] | PI [kW] | TC [kW] | PI [kW] | TC [kW] | PI [kW] | TC [kW] | PI [kW] | TC [kW] | PI [kW] | TC [kW] | PI [kW] |
| 10+10+07 | 46 | 5.79 | 2.63 | 6.13 | 2.67 | 6.47 | 2.70 | 6.65 | 2.73 | 7.16 | 2.78 | 7.50 | 2.82 |
| | 43 | 6.00 | 2.55 | 6.34 | 2.58 | 6.68 | 2.62 | 6.85 | 2.64 | 7.36 | 2.70 | 7.71 | 2.74 |
| | 40 | 6.20 | 2.46 | 6.54 | 2.50 | 6.89 | 2.54 | 7.06 | 2.56 | 7.57 | 2.61 | 7.91 | 2.65 |
| | 35 | 6.54 | 2.31 | 6.89 | 2.34 | 7.23 | 2.38 | 7.40 | 2.40 | 7.91 | 2.46 | 8.25 | 2.49 |
| | 32 | 6.75 | 2.24 | 7.10 | 2.27 | 7.44 | 2.32 | 7.61 | 2.33 | 8.12 | 2.40 | 8.46 | 2.42 |
| | 25 | 7.24 | 2.05 | 7.58 | 2.07 | 7.92 | 2.13 | 8.09 | 2.13 | 8.60 | 2.20 | 8.95 | 2.22 |
| | 22 | 7.44 | 1.96 | 7.79 | 1.98 | 8.13 | 2.05 | 8.30 | 2.05 | 8.80 | 2.12 | 9.15 | 2.14 |
| 13+10+07 | 46 | 6.02 | 2.64 | 6.38 | 2.68 | 6.74 | 2.71 | 6.91 | 2.74 | 7.45 | 2.79 | 7.80 | 2.83 |
| | 43 | 6.24 | 2.56 | 6.60 | 2.59 | 6.95 | 2.63 | 7.13 | 2.65 | 7.66 | 2.71 | 8.02 | 2.75 |
| | 40 | 6.45 | 2.47 | 6.81 | 2.51 | 7.17 | 2.55 | 7.34 | 2.57 | 7.87 | 2.62 | 8.23 | 2.66 |
| | 35 | 6.81 | 2.31 | 7.17 | 2.35 | 7.52 | 2.39 | 7.70 | 2.41 | 8.23 | 2.47 | 8.59 | 2.50 |
| | 32 | 7.03 | 2.25 | 7.38 | 2.28 | 7.74 | 2.33 | 7.92 | 2.34 | 8.45 | 2.41 | 8.81 | 2.43 |
| | 25 | 7.53 | 2.05 | 7.89 | 2.08 | 8.24 | 2.14 | 8.42 | 2.14 | 8.95 | 2.21 | 9.31 | 2.23 |
| | 22 | 7.75 | 1.97 | 8.10 | 1.99 | 8.46 | 2.06 | 8.64 | 2.05 | 9.16 | 2.13 | 9.52 | 2.15 |
| 16+10+07 | 46 | 6.02 | 2.64 | 6.38 | 2.68 | 6.74 | 2.71 | 6.91 | 2.74 | 7.45 | 2.79 | 7.80 | 2.83 |
| | 43 | 6.24 | 2.56 | 6.60 | 2.59 | 6.95 | 2.63 | 7.13 | 2.65 | 7.66 | 2.71 | 8.02 | 2.75 |
| | 40 | 6.45 | 2.47 | 6.81 | 2.51 | 7.17 | 2.55 | 7.34 | 2.57 | 7.87 | 2.62 | 8.23 | 2.66 |
| | 35 | 6.81 | 2.31 | 7.17 | 2.35 | 7.52 | 2.39 | 7.70 | 2.41 | 8.23 | 2.47 | 8.59 | 2.50 |
| | 32 | 7.03 | 2.25 | 7.38 | 2.28 | 7.74 | 2.33 | 7.92 | 2.34 | 8.45 | 2.41 | 8.81 | 2.43 |
| | 25 | 7.53 | 2.05 | 7.89 | 2.08 | 8.24 | 2.14 | 8.42 | 2.14 | 8.95 | 2.21 | 9.31 | 2.23 |
| | 22 | 7.75 | 1.97 | 8.10 | 1.99 | 8.46 | 2.06 | 8.64 | 2.05 | 9.16 | 2.13 | 9.52 | 2.15 |
| 18+10+07 | 46 | 6.02 | 2.64 | 6.38 | 2.68 | 6.74 | 2.71 | 6.91 | 2.74 | 7.45 | 2.79 | 7.80 | 2.83 |
| | 43 | 6.24 | 2.56 | 6.60 | 2.59 | 6.95 | 2.63 | 7.13 | 2.65 | 7.66 | 2.71 | 8.02 | 2.75 |
| | 40 | 6.45 | 2.47 | 6.81 | 2.51 | 7.17 | 2.55 | 7.34 | 2.57 | 7.87 | 2.62 | 8.23 | 2.66 |
| | 35 | 6.81 | 2.31 | 7.17 | 2.35 | 7.52 | 2.39 | 7.70 | 2.41 | 8.23 | 2.47 | 8.59 | 2.50 |
| | 32 | 7.03 | 2.25 | 7.38 | 2.28 | 7.74 | 2.33 | 7.92 | 2.34 | 8.45 | 2.41 | 8.81 | 2.43 |
| | 25 | 7.53 | 2.05 | 7.89 | 2.08 | 8.24 | 2.14 | 8.42 | 2.14 | 8.95 | 2.21 | 9.31 | 2.23 |
| | 22 | 7.75 | 1.97 | 8.10 | 1.99 | 8.46 | 2.06 | 8.64 | 2.05 | 9.16 | 2.13 | 9.52 | 2.15 |
| 22+10+07 | 46 | 6.10 | 2.66 | 6.46 | 2.70 | 6.82 | 2.74 | 7.00 | 2.76 | 7.54 | 2.81 | 7.90 | 2.86 |
| | 43 | 6.32 | 2.58 | 6.68 | 2.61 | 7.04 | 2.65 | 7.22 | 2.68 | 7.76 | 2.73 | 8.12 | 2.77 |
| | 40 | 6.54 | 2.49 | 6.90 | 2.53 | 7.26 | 2.57 | 7.44 | 2.59 | 7.98 | 2.65 | 8.34 | 2.68 |
| | 35 | 6.90 | 2.33 | 7.26 | 2.37 | 7.62 | 2.41 | 7.80 | 2.43 | 8.34 | 2.49 | 8.70 | 2.52 |
| | 32 | 7.12 | 2.27 | 7.48 | 2.30 | 7.84 | 2.35 | 8.02 | 2.36 | 8.56 | 2.43 | 8.92 | 2.45 |
| | 25 | 7.63 | 2.07 | 7.99 | 2.10 | 8.35 | 2.16 | 8.53 | 2.16 | 9.06 | 2.23 | 9.43 | 2.25 |
| | 22 | 7.85 | 1.99 | 8.21 | 2.01 | 8.57 | 2.07 | 8.75 | 2.07 | 9.28 | 2.15 | 9.65 | 2.17 |
| 24+10+07 | 46 | 6.10 | 2.66 | 6.46 | 2.70 | 6.82 | 2.74 | 7.00 | 2.76 | 7.54 | 2.81 | 7.90 | 2.86 |
| | 43 | 6.32 | 2.58 | 6.68 | 2.61 | 7.04 | 2.65 | 7.22 | 2.68 | 7.76 | 2.73 | 8.12 | 2.77 |
| | 40 | 6.54 | 2.49 | 6.90 | 2.53 | 7.26 | 2.57 | 7.44 | 2.59 | 7.98 | 2.65 | 8.34 | 2.68 |
| | 35 | 6.90 | 2.33 | 7.26 | 2.37 | 7.62 | 2.41 | 7.80 | 2.43 | 8.34 | 2.49 | 8.70 | 2.52 |
| | 32 | 7.12 | 2.27 | 7.48 | 2.30 | 7.84 | 2.35 | 8.02 | 2.36 | 8.56 | 2.43 | 8.92 | 2.45 |
| | 25 | 7.63 | 2.07 | 7.99 | 2.10 | 8.35 | 2.16 | 8.53 | 2.16 | 9.06 | 2.23 | 9.43 | 2.25 |
| | 22 | 7.85 | 1.99 | 8.21 | 2.01 | 8.57 | 2.07 | 8.75 | 2.07 | 9.28 | 2.15 | 9.65 | 2.17 |
| 13+13+07 | 46 | 6.02 | 2.64 | 6.38 | 2.68 | 6.74 | 2.71 | 6.91 | 2.74 | 7.45 | 2.79 | 7.80 | 2.83 |
| | 43 | 6.24 | 2.56 | 6.60 | 2.59 | 6.95 | 2.63 | 7.13 | 2.65 | 7.66 | 2.71 | 8.02 | 2.75 |
| | 40 | 6.45 | 2.47 | 6.81 | 2.51 | 7.17 | 2.55 | 7.34 | 2.57 | 7.87 | 2.62 | 8.23 | 2.66 |
| | 35 | 6.81 | 2.31 | 7.17 | 2.35 | 7.52 | 2.39 | 7.70 | 2.41 | 8.23 | 2.47 | 8.59 | 2.50 |
| | 32 | 7.03 | 2.25 | 7.38 | 2.28 | 7.74 | 2.33 | 7.92 | 2.34 | 8.45 | 2.41 | 8.81 | 2.43 |
| | 25 | 7.53 | 2.05 | 7.89 | 2.08 | 8.24 | 2.14 | 8.42 | 2.14 | 8.95 | 2.21 | 9.31 | 2.23 |
| | 22 | 7.75 | 1.97 | 8.10 | 1.99 | 8.46 | 2.06 | 8.64 | 2.05 | 9.16 | 2.13 | 9.52 | 2.15 |
| 16+13+07 | 46 | 6.10 | 2.66 | 6.46 | 2.70 | 6.82 | 2.74 | 7.00 | 2.76 | 7.54 | 2.81 | 7.90 | 2.86 |
| | 43 | 6.32 | 2.58 | 6.68 | 2.61 | 7.04 | 2.65 | 7.22 | 2.68 | 7.76 | 2.73 | 8.12 | 2.77 |
| | 40 | 6.54 | 2.49 | 6.90 | 2.53 | 7.26 | 2.57 | 7.44 | 2.59 | 7.98 | 2.65 | 8.34 | 2.68 |
| | 35 | 6.90 | 2.33 | 7.26 | 2.37 | 7.62 | 2.41 | 7.80 | 2.43 | 8.34 | 2.49 | 8.70 | 2.52 |
| | 32 | 7.12 | 2.27 | 7.48 | 2.30 | 7.84 | 2.35 | 8.02 | 2.36 | 8.56 | 2.43 | 8.92 | 2.45 |
| | 25 | 7.63 | 2.07 | 7.99 | 2.10 | 8.35 | 2.16 | 8.53 | 2.16 | 9.06 | 2.23 | 9.43 | 2.25 |
| | 22 | 7.85 | 1.99 | 8.21 | 2.01 | 8.57 | 2.07 | 8.75 | 2.07 | 9.28 | 2.15 | 9.65 | 2.17 |

Cooling

4 - rooms multisplit : 3 - unit operation

Indoor units : 18 type + 13 type + 07 type 18 type + 16 type + 07 type
 22 type + 13 type + 07 type 22 type + 16 type + 07 type
 24 type + 13 type + 07 type 24 type + 16 type + 07 type
 16 type + 16 type + 07 type 18 type + 18 type + 07 type

Outdoor unit : RAS-4M27U2AVG-E

| Combination (Capacity) | Outdoor air temp. [°C DB] | Indoor air temp. [°C WB] | | | | | | | | | | | |
|---------------------------|---------------------------------|--------------------------|------------|------------|------------|------------|------------|------------|------------|------------|------------|------------|------------|
| | | 14 | | 16 | | 18 | | 19 | | 22 | | 24 | |
| | | TC [kW] | PI [kW] | TC [kW] | PI [kW] | TC [kW] | PI [kW] | TC [kW] | PI [kW] | TC [kW] | PI [kW] | TC [kW] | PI [kW] |
| 18+13+07 | 46 | 6.10 | 2.66 | 6.46 | 2.70 | 6.82 | 2.74 | 7.00 | 2.76 | 7.54 | 2.81 | 7.90 | 2.86 |
| | 43 | 6.32 | 2.58 | 6.68 | 2.61 | 7.04 | 2.65 | 7.22 | 2.68 | 7.76 | 2.73 | 8.12 | 2.77 |
| | 40 | 6.54 | 2.49 | 6.90 | 2.53 | 7.26 | 2.57 | 7.44 | 2.59 | 7.98 | 2.65 | 8.34 | 2.68 |
| | 35 | 6.90 | 2.33 | 7.26 | 2.37 | 7.62 | 2.41 | 7.80 | 2.43 | 8.34 | 2.49 | 8.70 | 2.52 |
| | 32 | 7.12 | 2.27 | 7.48 | 2.30 | 7.84 | 2.35 | 8.02 | 2.36 | 8.56 | 2.43 | 8.92 | 2.45 |
| | 25 | 7.63 | 2.07 | 7.99 | 2.10 | 8.35 | 2.16 | 8.53 | 2.16 | 9.06 | 2.23 | 9.43 | 2.25 |
| | 22 | 7.85 | 1.99 | 8.21 | 2.01 | 8.57 | 2.07 | 8.75 | 2.07 | 9.28 | 2.15 | 9.65 | 2.17 |
| 22+13+07 | 46 | 6.10 | 2.66 | 6.46 | 2.70 | 6.82 | 2.74 | 7.00 | 2.76 | 7.54 | 2.81 | 7.90 | 2.86 |
| | 43 | 6.32 | 2.58 | 6.68 | 2.61 | 7.04 | 2.65 | 7.22 | 2.68 | 7.76 | 2.73 | 8.12 | 2.77 |
| | 40 | 6.54 | 2.49 | 6.90 | 2.53 | 7.26 | 2.57 | 7.44 | 2.59 | 7.98 | 2.65 | 8.34 | 2.68 |
| | 35 | 6.90 | 2.33 | 7.26 | 2.37 | 7.62 | 2.41 | 7.80 | 2.43 | 8.34 | 2.49 | 8.70 | 2.52 |
| | 32 | 7.12 | 2.27 | 7.48 | 2.30 | 7.84 | 2.35 | 8.02 | 2.36 | 8.56 | 2.43 | 8.92 | 2.45 |
| | 25 | 7.63 | 2.07 | 7.99 | 2.10 | 8.35 | 2.16 | 8.53 | 2.16 | 9.06 | 2.23 | 9.43 | 2.25 |
| | 22 | 7.85 | 1.99 | 8.21 | 2.01 | 8.57 | 2.07 | 8.75 | 2.07 | 9.28 | 2.15 | 9.65 | 2.17 |
| 24+13+07 | 46 | 6.18 | 2.67 | 6.55 | 2.71 | 6.91 | 2.75 | 7.09 | 2.77 | 7.64 | 2.82 | 8.01 | 2.87 |
| | 43 | 6.40 | 2.59 | 6.77 | 2.62 | 7.13 | 2.66 | 7.31 | 2.69 | 7.86 | 2.74 | 8.23 | 2.78 |
| | 40 | 6.62 | 2.50 | 6.99 | 2.54 | 7.35 | 2.58 | 7.54 | 2.60 | 8.08 | 2.66 | 8.45 | 2.69 |
| | 35 | 6.99 | 2.34 | 7.35 | 2.38 | 7.72 | 2.42 | 7.90 | 2.44 | 8.45 | 2.50 | 8.81 | 2.53 |
| | 32 | 7.21 | 2.28 | 7.58 | 2.31 | 7.94 | 2.36 | 8.12 | 2.37 | 8.66 | 2.44 | 9.04 | 2.46 |
| | 25 | 7.73 | 2.08 | 8.09 | 2.10 | 8.46 | 2.16 | 8.64 | 2.17 | 9.18 | 2.24 | 9.55 | 2.26 |
| | 22 | 7.95 | 1.99 | 8.31 | 2.02 | 8.68 | 2.08 | 8.86 | 2.08 | 9.40 | 2.16 | 9.77 | 2.18 |
| 16+16+07 | 46 | 6.10 | 2.66 | 6.46 | 2.70 | 6.82 | 2.74 | 7.00 | 2.76 | 7.54 | 2.81 | 7.90 | 2.86 |
| | 43 | 6.32 | 2.58 | 6.68 | 2.61 | 7.04 | 2.65 | 7.22 | 2.68 | 7.76 | 2.73 | 8.12 | 2.77 |
| | 40 | 6.54 | 2.49 | 6.90 | 2.53 | 7.26 | 2.57 | 7.44 | 2.59 | 7.98 | 2.65 | 8.34 | 2.68 |
| | 35 | 6.90 | 2.33 | 7.26 | 2.37 | 7.62 | 2.41 | 7.80 | 2.43 | 8.34 | 2.49 | 8.70 | 2.52 |
| | 32 | 7.12 | 2.27 | 7.48 | 2.30 | 7.84 | 2.35 | 8.02 | 2.36 | 8.56 | 2.43 | 8.92 | 2.45 |
| | 25 | 7.63 | 2.07 | 7.99 | 2.10 | 8.35 | 2.16 | 8.53 | 2.16 | 9.06 | 2.23 | 9.43 | 2.25 |
| | 22 | 7.85 | 1.99 | 8.21 | 2.01 | 8.57 | 2.07 | 8.75 | 2.07 | 9.28 | 2.15 | 9.65 | 2.17 |
| 18+16+07 | 46 | 6.10 | 2.66 | 6.46 | 2.70 | 6.82 | 2.74 | 7.00 | 2.76 | 7.54 | 2.81 | 7.90 | 2.86 |
| | 43 | 6.32 | 2.58 | 6.68 | 2.61 | 7.04 | 2.65 | 7.22 | 2.68 | 7.76 | 2.73 | 8.12 | 2.77 |
| | 40 | 6.54 | 2.49 | 6.90 | 2.53 | 7.26 | 2.57 | 7.44 | 2.59 | 7.98 | 2.65 | 8.34 | 2.68 |
| | 35 | 6.90 | 2.33 | 7.26 | 2.37 | 7.62 | 2.41 | 7.80 | 2.43 | 8.34 | 2.49 | 8.70 | 2.52 |
| | 32 | 7.12 | 2.27 | 7.48 | 2.30 | 7.84 | 2.35 | 8.02 | 2.36 | 8.56 | 2.43 | 8.92 | 2.45 |
| | 25 | 7.63 | 2.07 | 7.99 | 2.10 | 8.35 | 2.16 | 8.53 | 2.16 | 9.06 | 2.23 | 9.43 | 2.25 |
| | 22 | 7.85 | 1.99 | 8.21 | 2.01 | 8.57 | 2.07 | 8.75 | 2.07 | 9.28 | 2.15 | 9.65 | 2.17 |
| 22+16+07 | 46 | 6.18 | 2.67 | 6.55 | 2.71 | 6.91 | 2.75 | 7.09 | 2.77 | 7.64 | 2.82 | 8.01 | 2.87 |
| | 43 | 6.40 | 2.59 | 6.77 | 2.62 | 7.13 | 2.66 | 7.31 | 2.69 | 7.86 | 2.74 | 8.23 | 2.78 |
| | 40 | 6.62 | 2.50 | 6.99 | 2.54 | 7.35 | 2.58 | 7.54 | 2.60 | 8.08 | 2.66 | 8.45 | 2.69 |
| | 35 | 6.99 | 2.34 | 7.35 | 2.38 | 7.72 | 2.42 | 7.90 | 2.44 | 8.45 | 2.50 | 8.81 | 2.53 |
| | 32 | 7.21 | 2.28 | 7.58 | 2.31 | 7.94 | 2.36 | 8.12 | 2.37 | 8.66 | 2.44 | 9.04 | 2.46 |
| | 25 | 7.73 | 2.08 | 8.09 | 2.10 | 8.46 | 2.16 | 8.64 | 2.17 | 9.18 | 2.24 | 9.55 | 2.26 |
| | 22 | 7.95 | 1.99 | 8.31 | 2.02 | 8.68 | 2.08 | 8.86 | 2.08 | 9.40 | 2.16 | 9.77 | 2.18 |
| 24+16+07 | 46 | 6.18 | 2.67 | 6.55 | 2.71 | 6.91 | 2.75 | 7.09 | 2.77 | 7.64 | 2.82 | 8.01 | 2.87 |
| | 43 | 6.40 | 2.59 | 6.77 | 2.62 | 7.13 | 2.66 | 7.31 | 2.69 | 7.86 | 2.74 | 8.23 | 2.78 |
| | 40 | 6.62 | 2.50 | 6.99 | 2.54 | 7.35 | 2.58 | 7.54 | 2.60 | 8.08 | 2.66 | 8.45 | 2.69 |
| | 35 | 6.99 | 2.34 | 7.35 | 2.38 | 7.72 | 2.42 | 7.90 | 2.44 | 8.45 | 2.50 | 8.81 | 2.53 |
| | 32 | 7.21 | 2.28 | 7.58 | 2.31 | 7.94 | 2.36 | 8.12 | 2.37 | 8.66 | 2.44 | 9.04 | 2.46 |
| | 25 | 7.73 | 2.08 | 8.09 | 2.10 | 8.46 | 2.16 | 8.64 | 2.17 | 9.18 | 2.24 | 9.55 | 2.26 |
| | 22 | 7.95 | 1.99 | 8.31 | 2.02 | 8.68 | 2.08 | 8.86 | 2.08 | 9.40 | 2.16 | 9.77 | 2.18 |
| 18+18+07 | 46 | 6.18 | 2.67 | 6.55 | 2.71 | 6.91 | 2.75 | 7.09 | 2.77 | 7.64 | 2.82 | 8.01 | 2.87 |
| | 43 | 6.40 | 2.59 | 6.77 | 2.62 | 7.13 | 2.66 | 7.31 | 2.69 | 7.86 | 2.74 | 8.23 | 2.78 |
| | 40 | 6.62 | 2.50 | 6.99 | 2.54 | 7.35 | 2.58 | 7.54 | 2.60 | 8.08 | 2.66 | 8.45 | 2.69 |
| | 35 | 6.99 | 2.34 | 7.35 | 2.38 | 7.72 | 2.42 | 7.90 | 2.44 | 8.45 | 2.50 | 8.81 | 2.53 |
| | 32 | 7.21 | 2.28 | 7.58 | 2.31 | 7.94 | 2.36 | 8.12 | 2.37 | 8.66 | 2.44 | 9.04 | 2.46 |
| | 25 | 7.73 | 2.08 | 8.09 | 2.10 | 8.46 | 2.16 | 8.64 | 2.17 | 9.18 | 2.24 | 9.55 | 2.26 |
| | 22 | 7.95 | 1.99 | 8.31 | 2.02 | 8.68 | 2.08 | 8.86 | 2.08 | 9.40 | 2.16 | 9.77 | 2.18 |

Cooling

4 - rooms multisplit : 3 - unit operation

Indoor units : 22 type + 18 type + 07 type 16 type + 10 type + 10 type
 24 type + 18 type + 07 type 18 type + 10 type + 10 type
 10 type + 10 type + 10 type 22 type + 10 type + 10 type
 13 type + 10 type + 10 type 24 type + 10 type + 10 type

Outdoor unit : RAS-4M27U2AVG-E

| Combination (Capacity) | Outdoor air temp. [°C DB] | Indoor air temp. [°C WB] | | | | | | | | | | | |
|---------------------------|---------------------------------|--------------------------|------------|------------|------------|------------|------------|------------|------------|------------|------------|------------|------------|
| | | 14 | | 16 | | 18 | | 19 | | 22 | | 24 | |
| | | TC [kW] | PI [kW] | TC [kW] | PI [kW] | TC [kW] | PI [kW] | TC [kW] | PI [kW] | TC [kW] | PI [kW] | TC [kW] | PI [kW] |
| 22+18+07 | 46 | 6.18 | 2.67 | 6.55 | 2.71 | 6.91 | 2.75 | 7.09 | 2.77 | 7.64 | 2.82 | 8.01 | 2.87 |
| | 43 | 6.40 | 2.59 | 6.77 | 2.62 | 7.13 | 2.66 | 7.31 | 2.69 | 7.86 | 2.74 | 8.23 | 2.78 |
| | 40 | 6.62 | 2.50 | 6.99 | 2.54 | 7.35 | 2.58 | 7.54 | 2.60 | 8.08 | 2.66 | 8.45 | 2.69 |
| | 35 | 6.99 | 2.34 | 7.35 | 2.38 | 7.72 | 2.42 | 7.90 | 2.44 | 8.45 | 2.50 | 8.81 | 2.53 |
| | 32 | 7.21 | 2.28 | 7.58 | 2.31 | 7.94 | 2.36 | 8.12 | 2.37 | 8.66 | 2.44 | 9.04 | 2.46 |
| | 25 | 7.73 | 2.08 | 8.09 | 2.10 | 8.46 | 2.16 | 8.64 | 2.17 | 9.18 | 2.24 | 9.55 | 2.26 |
| | 22 | 7.95 | 1.99 | 8.31 | 2.02 | 8.68 | 2.08 | 8.86 | 2.08 | 9.40 | 2.16 | 9.77 | 2.18 |
| 24+18+07 | 46 | 6.18 | 2.67 | 6.55 | 2.71 | 6.91 | 2.75 | 7.09 | 2.77 | 7.64 | 2.82 | 8.01 | 2.87 |
| | 43 | 6.40 | 2.59 | 6.77 | 2.62 | 7.13 | 2.66 | 7.31 | 2.69 | 7.86 | 2.74 | 8.23 | 2.78 |
| | 40 | 6.62 | 2.50 | 6.99 | 2.54 | 7.35 | 2.58 | 7.54 | 2.60 | 8.08 | 2.66 | 8.45 | 2.69 |
| | 35 | 6.99 | 2.34 | 7.35 | 2.38 | 7.72 | 2.42 | 7.90 | 2.44 | 8.45 | 2.50 | 8.81 | 2.53 |
| | 32 | 7.21 | 2.28 | 7.58 | 2.31 | 7.94 | 2.36 | 8.12 | 2.37 | 8.66 | 2.44 | 9.04 | 2.46 |
| | 25 | 7.73 | 2.08 | 8.09 | 2.10 | 8.46 | 2.16 | 8.64 | 2.17 | 9.18 | 2.24 | 9.55 | 2.26 |
| | 22 | 7.95 | 1.99 | 8.31 | 2.02 | 8.68 | 2.08 | 8.86 | 2.08 | 9.40 | 2.16 | 9.77 | 2.18 |
| 10+10+10 | 46 | 5.95 | 2.63 | 6.30 | 2.67 | 6.65 | 2.70 | 6.82 | 2.73 | 7.35 | 2.78 | 7.70 | 2.82 |
| | 43 | 6.16 | 2.55 | 6.51 | 2.58 | 6.86 | 2.62 | 7.04 | 2.64 | 7.56 | 2.70 | 7.91 | 2.74 |
| | 40 | 6.37 | 2.46 | 6.72 | 2.50 | 7.07 | 2.54 | 7.25 | 2.56 | 7.77 | 2.61 | 8.13 | 2.65 |
| | 35 | 6.72 | 2.31 | 7.07 | 2.34 | 7.42 | 2.38 | 7.60 | 2.40 | 8.13 | 2.46 | 8.48 | 2.49 |
| | 32 | 6.94 | 2.24 | 7.29 | 2.27 | 7.64 | 2.32 | 7.82 | 2.33 | 8.34 | 2.40 | 8.69 | 2.42 |
| | 25 | 7.43 | 2.05 | 7.78 | 2.07 | 8.14 | 2.13 | 8.31 | 2.13 | 8.83 | 2.20 | 9.19 | 2.22 |
| | 22 | 7.64 | 1.96 | 8.00 | 1.98 | 8.35 | 2.05 | 8.52 | 2.05 | 9.04 | 2.12 | 9.40 | 2.14 |
| 13+10+10 | 46 | 6.02 | 2.64 | 6.38 | 2.68 | 6.74 | 2.71 | 6.91 | 2.74 | 7.45 | 2.79 | 7.80 | 2.83 |
| | 43 | 6.24 | 2.56 | 6.60 | 2.59 | 6.95 | 2.63 | 7.13 | 2.65 | 7.66 | 2.71 | 8.02 | 2.75 |
| | 40 | 6.45 | 2.47 | 6.81 | 2.51 | 7.17 | 2.55 | 7.34 | 2.57 | 7.87 | 2.62 | 8.23 | 2.66 |
| | 35 | 6.81 | 2.31 | 7.17 | 2.35 | 7.52 | 2.39 | 7.70 | 2.41 | 8.23 | 2.47 | 8.59 | 2.50 |
| | 32 | 7.03 | 2.25 | 7.38 | 2.28 | 7.74 | 2.33 | 7.92 | 2.34 | 8.45 | 2.41 | 8.81 | 2.43 |
| | 25 | 7.53 | 2.05 | 7.89 | 2.08 | 8.24 | 2.14 | 8.42 | 2.14 | 8.95 | 2.21 | 9.31 | 2.23 |
| | 22 | 7.75 | 1.97 | 8.10 | 1.99 | 8.46 | 2.06 | 8.64 | 2.05 | 9.16 | 2.13 | 9.52 | 2.15 |
| 16+10+10 | 46 | 6.02 | 2.64 | 6.38 | 2.68 | 6.74 | 2.71 | 6.91 | 2.74 | 7.45 | 2.79 | 7.80 | 2.83 |
| | 43 | 6.24 | 2.56 | 6.60 | 2.59 | 6.95 | 2.63 | 7.13 | 2.65 | 7.66 | 2.71 | 8.02 | 2.75 |
| | 40 | 6.45 | 2.47 | 6.81 | 2.51 | 7.17 | 2.55 | 7.34 | 2.57 | 7.87 | 2.62 | 8.23 | 2.66 |
| | 35 | 6.81 | 2.31 | 7.17 | 2.35 | 7.52 | 2.39 | 7.70 | 2.41 | 8.23 | 2.47 | 8.59 | 2.50 |
| | 32 | 7.03 | 2.25 | 7.38 | 2.28 | 7.74 | 2.33 | 7.92 | 2.34 | 8.45 | 2.41 | 8.81 | 2.43 |
| | 25 | 7.53 | 2.05 | 7.89 | 2.08 | 8.24 | 2.14 | 8.42 | 2.14 | 8.95 | 2.21 | 9.31 | 2.23 |
| | 22 | 7.75 | 1.97 | 8.10 | 1.99 | 8.46 | 2.06 | 8.64 | 2.05 | 9.16 | 2.13 | 9.52 | 2.15 |
| 18+10+10 | 46 | 6.02 | 2.64 | 6.38 | 2.68 | 6.74 | 2.71 | 6.91 | 2.74 | 7.45 | 2.79 | 7.80 | 2.83 |
| | 43 | 6.24 | 2.56 | 6.60 | 2.59 | 6.95 | 2.63 | 7.13 | 2.65 | 7.66 | 2.71 | 8.02 | 2.75 |
| | 40 | 6.45 | 2.47 | 6.81 | 2.51 | 7.17 | 2.55 | 7.34 | 2.57 | 7.87 | 2.62 | 8.23 | 2.66 |
| | 35 | 6.81 | 2.31 | 7.17 | 2.35 | 7.52 | 2.39 | 7.70 | 2.41 | 8.23 | 2.47 | 8.59 | 2.50 |
| | 32 | 7.03 | 2.25 | 7.38 | 2.28 | 7.74 | 2.33 | 7.92 | 2.34 | 8.45 | 2.41 | 8.81 | 2.43 |
| | 25 | 7.53 | 2.05 | 7.89 | 2.08 | 8.24 | 2.14 | 8.42 | 2.14 | 8.95 | 2.21 | 9.31 | 2.23 |
| | 22 | 7.75 | 1.97 | 8.10 | 1.99 | 8.46 | 2.06 | 8.64 | 2.05 | 9.16 | 2.13 | 9.52 | 2.15 |
| 22+10+10 | 46 | 6.18 | 2.67 | 6.55 | 2.71 | 6.91 | 2.75 | 7.09 | 2.77 | 7.64 | 2.82 | 8.01 | 2.87 |
| | 43 | 6.40 | 2.59 | 6.77 | 2.62 | 7.13 | 2.66 | 7.31 | 2.69 | 7.86 | 2.74 | 8.23 | 2.78 |
| | 40 | 6.62 | 2.50 | 6.99 | 2.54 | 7.35 | 2.58 | 7.54 | 2.60 | 8.08 | 2.66 | 8.45 | 2.69 |
| | 35 | 6.99 | 2.34 | 7.35 | 2.38 | 7.72 | 2.42 | 7.90 | 2.44 | 8.45 | 2.50 | 8.81 | 2.53 |
| | 32 | 7.21 | 2.28 | 7.58 | 2.31 | 7.94 | 2.36 | 8.12 | 2.37 | 8.66 | 2.44 | 9.04 | 2.46 |
| | 25 | 7.73 | 2.08 | 8.09 | 2.10 | 8.46 | 2.16 | 8.64 | 2.17 | 9.18 | 2.24 | 9.55 | 2.26 |
| | 22 | 7.95 | 1.99 | 8.31 | 2.02 | 8.68 | 2.08 | 8.86 | 2.08 | 9.40 | 2.16 | 9.77 | 2.18 |
| 24+10+10 | 46 | 6.18 | 2.67 | 6.55 | 2.71 | 6.91 | 2.75 | 7.09 | 2.77 | 7.64 | 2.82 | 8.01 | 2.87 |
| | 43 | 6.40 | 2.59 | 6.77 | 2.62 | 7.13 | 2.66 | 7.31 | 2.69 | 7.86 | 2.74 | 8.23 | 2.78 |
| | 40 | 6.62 | 2.50 | 6.99 | 2.54 | 7.35 | 2.58 | 7.54 | 2.60 | 8.08 | 2.66 | 8.45 | 2.69 |
| | 35 | 6.99 | 2.34 | 7.35 | 2.38 | 7.72 | 2.42 | 7.90 | 2.44 | 8.45 | 2.50 | 8.81 | 2.53 |
| | 32 | 7.21 | 2.28 | 7.58 | 2.31 | 7.94 | 2.36 | 8.12 | 2.37 | 8.66 | 2.44 | 9.04 | 2.46 |
| | 25 | 7.73 | 2.08 | 8.09 | 2.10 | 8.46 | 2.16 | 8.64 | 2.17 | 9.18 | 2.24 | 9.55 | 2.26 |
| | 22 | 7.95 | 1.99 | 8.31 | 2.02 | 8.68 | 2.08 | 8.86 | 2.08 | 9.40 | 2.16 | 9.77 | 2.18 |

Cooling

4 - rooms multisplit : 3 - unit operation

Indoor units : 13 type + 13 type + 10 type 24 type + 13 type + 10 type
 16 type + 13 type + 10 type 16 type + 16 type + 10 type
 18 type + 13 type + 10 type 18 type + 16 type + 10 type
 22 type + 13 type + 10 type 22 type + 16 type + 10 type

Outdoor unit : RAS-4M27U2AVG-E

| Combination (Capacity) | Outdoor air temp. [°C DB] | Indoor air temp. [°C WB] | | | | | | | | | | | |
|---------------------------|---------------------------------|--------------------------|------------|------------|------------|------------|------------|------------|------------|------------|------------|------------|------------|
| | | 14 | | 16 | | 18 | | 19 | | 22 | | 24 | |
| | | TC [kW] | PI [kW] | TC [kW] | PI [kW] | TC [kW] | PI [kW] | TC [kW] | PI [kW] | TC [kW] | PI [kW] | TC [kW] | PI [kW] |
| 13+13+10 | 46 | 6.02 | 2.64 | 6.38 | 2.68 | 6.74 | 2.71 | 6.91 | 2.74 | 7.45 | 2.79 | 7.80 | 2.83 |
| | 43 | 6.24 | 2.56 | 6.60 | 2.59 | 6.95 | 2.63 | 7.13 | 2.65 | 7.66 | 2.71 | 8.02 | 2.75 |
| | 40 | 6.45 | 2.47 | 6.81 | 2.51 | 7.17 | 2.55 | 7.34 | 2.57 | 7.87 | 2.62 | 8.23 | 2.66 |
| | 35 | 6.81 | 2.31 | 7.17 | 2.35 | 7.52 | 2.39 | 7.70 | 2.41 | 8.23 | 2.47 | 8.59 | 2.50 |
| | 32 | 7.03 | 2.25 | 7.38 | 2.28 | 7.74 | 2.33 | 7.92 | 2.34 | 8.45 | 2.41 | 8.81 | 2.43 |
| | 25 | 7.53 | 2.05 | 7.89 | 2.08 | 8.24 | 2.14 | 8.42 | 2.14 | 8.95 | 2.21 | 9.31 | 2.23 |
| | 22 | 7.75 | 1.97 | 8.10 | 1.99 | 8.46 | 2.06 | 8.64 | 2.05 | 9.16 | 2.13 | 9.52 | 2.15 |
| 16+13+10 | 46 | 6.10 | 2.66 | 6.46 | 2.70 | 6.82 | 2.74 | 7.00 | 2.76 | 7.54 | 2.81 | 7.90 | 2.86 |
| | 43 | 6.32 | 2.58 | 6.68 | 2.61 | 7.04 | 2.65 | 7.22 | 2.68 | 7.76 | 2.73 | 8.12 | 2.77 |
| | 40 | 6.54 | 2.49 | 6.90 | 2.53 | 7.26 | 2.57 | 7.44 | 2.59 | 7.98 | 2.65 | 8.34 | 2.68 |
| | 35 | 6.90 | 2.33 | 7.26 | 2.37 | 7.62 | 2.41 | 7.80 | 2.43 | 8.34 | 2.49 | 8.70 | 2.52 |
| | 32 | 7.12 | 2.27 | 7.48 | 2.30 | 7.84 | 2.35 | 8.02 | 2.36 | 8.56 | 2.43 | 8.92 | 2.45 |
| | 25 | 7.63 | 2.07 | 7.99 | 2.10 | 8.35 | 2.16 | 8.53 | 2.16 | 9.06 | 2.23 | 9.43 | 2.25 |
| | 22 | 7.85 | 1.99 | 8.21 | 2.01 | 8.57 | 2.07 | 8.75 | 2.07 | 9.28 | 2.15 | 9.65 | 2.17 |
| 18+13+10 | 46 | 6.10 | 2.66 | 6.46 | 2.70 | 6.82 | 2.74 | 7.00 | 2.76 | 7.54 | 2.81 | 7.90 | 2.86 |
| | 43 | 6.32 | 2.58 | 6.68 | 2.61 | 7.04 | 2.65 | 7.22 | 2.68 | 7.76 | 2.73 | 8.12 | 2.77 |
| | 40 | 6.54 | 2.49 | 6.90 | 2.53 | 7.26 | 2.57 | 7.44 | 2.59 | 7.98 | 2.65 | 8.34 | 2.68 |
| | 35 | 6.90 | 2.33 | 7.26 | 2.37 | 7.62 | 2.41 | 7.80 | 2.43 | 8.34 | 2.49 | 8.70 | 2.52 |
| | 32 | 7.12 | 2.27 | 7.48 | 2.30 | 7.84 | 2.35 | 8.02 | 2.36 | 8.56 | 2.43 | 8.92 | 2.45 |
| | 25 | 7.63 | 2.07 | 7.99 | 2.10 | 8.35 | 2.16 | 8.53 | 2.16 | 9.06 | 2.23 | 9.43 | 2.25 |
| | 22 | 7.85 | 1.99 | 8.21 | 2.01 | 8.57 | 2.07 | 8.75 | 2.07 | 9.28 | 2.15 | 9.65 | 2.17 |
| 22+13+10 | 46 | 6.18 | 2.67 | 6.55 | 2.71 | 6.91 | 2.75 | 7.09 | 2.77 | 7.64 | 2.82 | 8.01 | 2.87 |
| | 43 | 6.40 | 2.59 | 6.77 | 2.62 | 7.13 | 2.66 | 7.31 | 2.69 | 7.86 | 2.74 | 8.23 | 2.78 |
| | 40 | 6.62 | 2.50 | 6.99 | 2.54 | 7.35 | 2.58 | 7.54 | 2.60 | 8.08 | 2.66 | 8.45 | 2.69 |
| | 35 | 6.99 | 2.34 | 7.35 | 2.38 | 7.72 | 2.42 | 7.90 | 2.44 | 8.45 | 2.50 | 8.81 | 2.53 |
| | 32 | 7.21 | 2.28 | 7.58 | 2.31 | 7.94 | 2.36 | 8.12 | 2.37 | 8.66 | 2.44 | 9.04 | 2.46 |
| | 25 | 7.73 | 2.08 | 8.09 | 2.10 | 8.46 | 2.16 | 8.64 | 2.17 | 9.18 | 2.24 | 9.55 | 2.26 |
| | 22 | 7.95 | 1.99 | 8.31 | 2.02 | 8.68 | 2.08 | 8.86 | 2.08 | 9.40 | 2.16 | 9.77 | 2.18 |
| 24+13+10 | 46 | 6.18 | 2.67 | 6.55 | 2.71 | 6.91 | 2.75 | 7.09 | 2.77 | 7.64 | 2.82 | 8.01 | 2.87 |
| | 43 | 6.40 | 2.59 | 6.77 | 2.62 | 7.13 | 2.66 | 7.31 | 2.69 | 7.86 | 2.74 | 8.23 | 2.78 |
| | 40 | 6.62 | 2.50 | 6.99 | 2.54 | 7.35 | 2.58 | 7.54 | 2.60 | 8.08 | 2.66 | 8.45 | 2.69 |
| | 35 | 6.99 | 2.34 | 7.35 | 2.38 | 7.72 | 2.42 | 7.90 | 2.44 | 8.45 | 2.50 | 8.81 | 2.53 |
| | 32 | 7.21 | 2.28 | 7.58 | 2.31 | 7.94 | 2.36 | 8.12 | 2.37 | 8.66 | 2.44 | 9.04 | 2.46 |
| | 25 | 7.73 | 2.08 | 8.09 | 2.10 | 8.46 | 2.16 | 8.64 | 2.17 | 9.18 | 2.24 | 9.55 | 2.26 |
| | 22 | 7.95 | 1.99 | 8.31 | 2.02 | 8.68 | 2.08 | 8.86 | 2.08 | 9.40 | 2.16 | 9.77 | 2.18 |
| 16+16+10 | 46 | 6.18 | 2.67 | 6.55 | 2.71 | 6.91 | 2.75 | 7.09 | 2.77 | 7.64 | 2.82 | 8.01 | 2.87 |
| | 43 | 6.40 | 2.59 | 6.77 | 2.62 | 7.13 | 2.66 | 7.31 | 2.69 | 7.86 | 2.74 | 8.23 | 2.78 |
| | 40 | 6.62 | 2.50 | 6.99 | 2.54 | 7.35 | 2.58 | 7.54 | 2.60 | 8.08 | 2.66 | 8.45 | 2.69 |
| | 35 | 6.99 | 2.34 | 7.35 | 2.38 | 7.72 | 2.42 | 7.90 | 2.44 | 8.45 | 2.50 | 8.81 | 2.53 |
| | 32 | 7.21 | 2.28 | 7.58 | 2.31 | 7.94 | 2.36 | 8.12 | 2.37 | 8.66 | 2.44 | 9.04 | 2.46 |
| | 25 | 7.73 | 2.08 | 8.09 | 2.10 | 8.46 | 2.16 | 8.64 | 2.17 | 9.18 | 2.24 | 9.55 | 2.26 |
| | 22 | 7.95 | 1.99 | 8.31 | 2.02 | 8.68 | 2.08 | 8.86 | 2.08 | 9.40 | 2.16 | 9.77 | 2.18 |
| 18+16+10 | 46 | 6.10 | 2.66 | 6.46 | 2.70 | 6.82 | 2.74 | 7.00 | 2.76 | 7.54 | 2.81 | 7.90 | 2.86 |
| | 43 | 6.32 | 2.58 | 6.68 | 2.61 | 7.04 | 2.65 | 7.22 | 2.68 | 7.76 | 2.73 | 8.12 | 2.77 |
| | 40 | 6.54 | 2.49 | 6.90 | 2.53 | 7.26 | 2.57 | 7.44 | 2.59 | 7.98 | 2.65 | 8.34 | 2.68 |
| | 35 | 6.90 | 2.33 | 7.26 | 2.37 | 7.62 | 2.41 | 7.80 | 2.43 | 8.34 | 2.49 | 8.70 | 2.52 |
| | 32 | 7.12 | 2.27 | 7.48 | 2.30 | 7.84 | 2.35 | 8.02 | 2.36 | 8.56 | 2.43 | 8.92 | 2.45 |
| | 25 | 7.63 | 2.07 | 7.99 | 2.10 | 8.35 | 2.16 | 8.53 | 2.16 | 9.06 | 2.23 | 9.43 | 2.25 |
| | 22 | 7.85 | 1.99 | 8.21 | 2.01 | 8.57 | 2.07 | 8.75 | 2.07 | 9.28 | 2.15 | 9.65 | 2.17 |
| 22+16+10 | 46 | 6.26 | 2.68 | 6.63 | 2.72 | 7.00 | 2.76 | 7.18 | 2.78 | 7.74 | 2.84 | 8.11 | 2.88 |
| | 43 | 6.48 | 2.60 | 6.85 | 2.64 | 7.22 | 2.68 | 7.41 | 2.70 | 7.96 | 2.75 | 8.33 | 2.79 |
| | 40 | 6.71 | 2.51 | 7.08 | 2.55 | 7.44 | 2.59 | 7.63 | 2.61 | 8.18 | 2.67 | 8.55 | 2.71 |
| | 35 | 7.08 | 2.35 | 7.44 | 2.39 | 7.81 | 2.43 | 8.00 | 2.45 | 8.55 | 2.51 | 8.92 | 2.54 |
| | 32 | 7.30 | 2.29 | 7.67 | 2.32 | 8.04 | 2.37 | 8.23 | 2.38 | 8.77 | 2.45 | 9.15 | 2.47 |
| | 25 | 7.82 | 2.09 | 8.19 | 2.11 | 8.56 | 2.17 | 8.75 | 2.18 | 9.29 | 2.25 | 9.67 | 2.27 |
| | 22 | 8.05 | 2.00 | 8.42 | 2.03 | 8.79 | 2.09 | 8.97 | 2.09 | 9.52 | 2.17 | 9.89 | 2.18 |

Cooling

4 - rooms multisplit : 3 - unit operation

Indoor units : 24 type + 16 type + 10 type 13 type + 13 type + 13 type
 18 type + 18 type + 10 type 16 type + 13 type + 13 type
 22 type + 18 type + 10 type 18 type + 13 type + 13 type
 24 type + 18 type + 10 type 22 type + 13 type + 13 type

Outdoor unit : RAS-4M27U2AVG-E

| Combination (Capacity) | Outdoor air temp. [°C DB] | Indoor air temp. [°C WB] | | | | | | | | | | | |
|---------------------------|---------------------------------|--------------------------|------------|------------|------------|------------|------------|------------|------------|------------|------------|------------|------------|
| | | 14 | | 16 | | 18 | | 19 | | 22 | | 24 | |
| | | TC [kW] | PI [kW] | TC [kW] | PI [kW] | TC [kW] | PI [kW] | TC [kW] | PI [kW] | TC [kW] | PI [kW] | TC [kW] | PI [kW] |
| 24+16+10 | 46 | 6.26 | 2.68 | 6.63 | 2.72 | 7.00 | 2.76 | 7.18 | 2.78 | 7.74 | 2.84 | 8.11 | 2.88 |
| | 43 | 6.48 | 2.60 | 6.85 | 2.64 | 7.22 | 2.68 | 7.41 | 2.70 | 7.96 | 2.75 | 8.33 | 2.79 |
| | 40 | 6.71 | 2.51 | 7.08 | 2.55 | 7.44 | 2.59 | 7.63 | 2.61 | 8.18 | 2.67 | 8.55 | 2.71 |
| | 35 | 7.08 | 2.35 | 7.44 | 2.39 | 7.81 | 2.43 | 8.00 | 2.45 | 8.55 | 2.51 | 8.92 | 2.54 |
| | 32 | 7.30 | 2.29 | 7.67 | 2.32 | 8.04 | 2.37 | 8.23 | 2.38 | 8.77 | 2.45 | 9.15 | 2.47 |
| | 25 | 7.82 | 2.09 | 8.19 | 2.11 | 8.56 | 2.17 | 8.75 | 2.18 | 9.29 | 2.25 | 9.67 | 2.27 |
| | 22 | 8.05 | 2.00 | 8.42 | 2.03 | 8.79 | 2.09 | 8.97 | 2.09 | 9.52 | 2.17 | 9.89 | 2.18 |
| 18+18+10 | 46 | 6.18 | 2.67 | 6.55 | 2.71 | 6.91 | 2.75 | 7.09 | 2.77 | 7.64 | 2.82 | 8.01 | 2.87 |
| | 43 | 6.40 | 2.59 | 6.77 | 2.62 | 7.13 | 2.66 | 7.31 | 2.69 | 7.86 | 2.74 | 8.23 | 2.78 |
| | 40 | 6.62 | 2.50 | 6.99 | 2.54 | 7.35 | 2.58 | 7.54 | 2.60 | 8.08 | 2.66 | 8.45 | 2.69 |
| | 35 | 6.99 | 2.34 | 7.35 | 2.38 | 7.72 | 2.42 | 7.90 | 2.44 | 8.45 | 2.50 | 8.81 | 2.53 |
| | 32 | 7.21 | 2.28 | 7.58 | 2.31 | 7.94 | 2.36 | 8.12 | 2.37 | 8.66 | 2.44 | 9.04 | 2.46 |
| | 25 | 7.73 | 2.08 | 8.09 | 2.10 | 8.46 | 2.16 | 8.64 | 2.17 | 9.18 | 2.24 | 9.55 | 2.26 |
| | 22 | 7.95 | 1.99 | 8.31 | 2.02 | 8.68 | 2.08 | 8.86 | 2.08 | 9.40 | 2.16 | 9.77 | 2.18 |
| 22+18+10 | 46 | 6.26 | 2.68 | 6.63 | 2.72 | 7.00 | 2.76 | 7.18 | 2.78 | 7.74 | 2.84 | 8.11 | 2.88 |
| | 43 | 6.48 | 2.60 | 6.85 | 2.64 | 7.22 | 2.68 | 7.41 | 2.70 | 7.96 | 2.75 | 8.33 | 2.79 |
| | 40 | 6.71 | 2.51 | 7.08 | 2.55 | 7.44 | 2.59 | 7.63 | 2.61 | 8.18 | 2.67 | 8.55 | 2.71 |
| | 35 | 7.08 | 2.35 | 7.44 | 2.39 | 7.81 | 2.43 | 8.00 | 2.45 | 8.55 | 2.51 | 8.92 | 2.54 |
| | 32 | 7.30 | 2.29 | 7.67 | 2.32 | 8.04 | 2.37 | 8.23 | 2.38 | 8.77 | 2.45 | 9.15 | 2.47 |
| | 25 | 7.82 | 2.09 | 8.19 | 2.11 | 8.56 | 2.17 | 8.75 | 2.18 | 9.29 | 2.25 | 9.67 | 2.27 |
| | 22 | 8.05 | 2.00 | 8.42 | 2.03 | 8.79 | 2.09 | 8.97 | 2.09 | 9.52 | 2.17 | 9.89 | 2.18 |
| 24+18+10 | 46 | 6.26 | 2.68 | 6.63 | 2.72 | 7.00 | 2.76 | 7.18 | 2.78 | 7.74 | 2.84 | 8.11 | 2.88 |
| | 43 | 6.48 | 2.60 | 6.85 | 2.64 | 7.22 | 2.68 | 7.41 | 2.70 | 7.96 | 2.75 | 8.33 | 2.79 |
| | 40 | 6.71 | 2.51 | 7.08 | 2.55 | 7.44 | 2.59 | 7.63 | 2.61 | 8.18 | 2.67 | 8.55 | 2.71 |
| | 35 | 7.08 | 2.35 | 7.44 | 2.39 | 7.81 | 2.43 | 8.00 | 2.45 | 8.55 | 2.51 | 8.92 | 2.54 |
| | 32 | 7.30 | 2.29 | 7.67 | 2.32 | 8.04 | 2.37 | 8.23 | 2.38 | 8.77 | 2.45 | 9.15 | 2.47 |
| | 25 | 7.82 | 2.09 | 8.19 | 2.11 | 8.56 | 2.17 | 8.75 | 2.18 | 9.29 | 2.25 | 9.67 | 2.27 |
| | 22 | 8.05 | 2.00 | 8.42 | 2.03 | 8.79 | 2.09 | 8.97 | 2.09 | 9.52 | 2.17 | 9.89 | 2.18 |
| 13+13+13 | 46 | 6.10 | 2.66 | 6.46 | 2.70 | 6.82 | 2.74 | 7.00 | 2.76 | 7.54 | 2.81 | 7.90 | 2.86 |
| | 43 | 6.32 | 2.58 | 6.68 | 2.61 | 7.04 | 2.65 | 7.22 | 2.68 | 7.76 | 2.73 | 8.12 | 2.77 |
| | 40 | 6.54 | 2.49 | 6.90 | 2.53 | 7.26 | 2.57 | 7.44 | 2.59 | 7.98 | 2.65 | 8.34 | 2.68 |
| | 35 | 6.90 | 2.33 | 7.26 | 2.37 | 7.62 | 2.41 | 7.80 | 2.43 | 8.34 | 2.49 | 8.70 | 2.52 |
| | 32 | 7.12 | 2.27 | 7.48 | 2.30 | 7.84 | 2.35 | 8.02 | 2.36 | 8.56 | 2.43 | 8.92 | 2.45 |
| | 25 | 7.63 | 2.07 | 7.99 | 2.10 | 8.35 | 2.16 | 8.53 | 2.16 | 9.06 | 2.23 | 9.43 | 2.25 |
| | 22 | 7.85 | 1.99 | 8.21 | 2.01 | 8.57 | 2.07 | 8.75 | 2.07 | 9.28 | 2.15 | 9.65 | 2.17 |
| 16+13+13 | 46 | 6.18 | 2.67 | 6.55 | 2.71 | 6.91 | 2.75 | 7.09 | 2.77 | 7.64 | 2.82 | 8.01 | 2.87 |
| | 43 | 6.40 | 2.59 | 6.77 | 2.62 | 7.13 | 2.66 | 7.31 | 2.69 | 7.86 | 2.74 | 8.23 | 2.78 |
| | 40 | 6.62 | 2.50 | 6.99 | 2.54 | 7.35 | 2.58 | 7.54 | 2.60 | 8.08 | 2.66 | 8.45 | 2.69 |
| | 35 | 6.99 | 2.34 | 7.35 | 2.38 | 7.72 | 2.42 | 7.90 | 2.44 | 8.45 | 2.50 | 8.81 | 2.53 |
| | 32 | 7.21 | 2.28 | 7.58 | 2.31 | 7.94 | 2.36 | 8.12 | 2.37 | 8.66 | 2.44 | 9.04 | 2.46 |
| | 25 | 7.73 | 2.08 | 8.09 | 2.10 | 8.46 | 2.16 | 8.64 | 2.17 | 9.18 | 2.24 | 9.55 | 2.26 |
| | 22 | 7.95 | 1.99 | 8.31 | 2.02 | 8.68 | 2.08 | 8.86 | 2.08 | 9.40 | 2.16 | 9.77 | 2.18 |
| 18+13+13 | 46 | 6.18 | 2.67 | 6.55 | 2.71 | 6.91 | 2.75 | 7.09 | 2.77 | 7.64 | 2.82 | 8.01 | 2.87 |
| | 43 | 6.40 | 2.59 | 6.77 | 2.62 | 7.13 | 2.66 | 7.31 | 2.69 | 7.86 | 2.74 | 8.23 | 2.78 |
| | 40 | 6.62 | 2.50 | 6.99 | 2.54 | 7.35 | 2.58 | 7.54 | 2.60 | 8.08 | 2.66 | 8.45 | 2.69 |
| | 35 | 6.99 | 2.34 | 7.35 | 2.38 | 7.72 | 2.42 | 7.90 | 2.44 | 8.45 | 2.50 | 8.81 | 2.53 |
| | 32 | 7.21 | 2.28 | 7.58 | 2.31 | 7.94 | 2.36 | 8.12 | 2.37 | 8.66 | 2.44 | 9.04 | 2.46 |
| | 25 | 7.73 | 2.08 | 8.09 | 2.10 | 8.46 | 2.16 | 8.64 | 2.17 | 9.18 | 2.24 | 9.55 | 2.26 |
| | 22 | 7.95 | 1.99 | 8.31 | 2.02 | 8.68 | 2.08 | 8.86 | 2.08 | 9.40 | 2.16 | 9.77 | 2.18 |
| 22+13+13 | 46 | 6.26 | 2.68 | 6.63 | 2.72 | 7.00 | 2.76 | 7.18 | 2.78 | 7.74 | 2.84 | 8.11 | 2.88 |
| | 43 | 6.48 | 2.60 | 6.85 | 2.64 | 7.22 | 2.68 | 7.41 | 2.70 | 7.96 | 2.75 | 8.33 | 2.79 |
| | 40 | 6.71 | 2.51 | 7.08 | 2.55 | 7.44 | 2.59 | 7.63 | 2.61 | 8.18 | 2.67 | 8.55 | 2.71 |
| | 35 | 7.08 | 2.35 | 7.44 | 2.39 | 7.81 | 2.43 | 8.00 | 2.45 | 8.55 | 2.51 | 8.92 | 2.54 |
| | 32 | 7.30 | 2.29 | 7.67 | 2.32 | 8.04 | 2.37 | 8.23 | 2.38 | 8.77 | 2.45 | 9.15 | 2.47 |
| | 25 | 7.82 | 2.09 | 8.19 | 2.11 | 8.56 | 2.17 | 8.75 | 2.18 | 9.29 | 2.25 | 9.67 | 2.27 |
| | 22 | 8.05 | 2.00 | 8.42 | 2.03 | 8.79 | 2.09 | 8.97 | 2.09 | 9.52 | 2.17 | 9.89 | 2.18 |

Cooling

4 - rooms multisplit : 3 - unit operation

Indoor units : 24 type + 13 type + 13 type 24 type + 16 type + 13 type
 16 type + 16 type + 13 type 18 type + 18 type + 13 type
 18 type + 16 type + 13 type 22 type + 18 type + 13 type
 22 type + 16 type + 13 type 16 type + 16 type + 16 type

Outdoor unit : RAS-4M27U2AVG-E

| Combination (Capacity) | Outdoor air temp. [°C DB] | Indoor air temp. [°C WB] | | | | | | | | | | | |
|---------------------------|---------------------------------|--------------------------|------------|------------|------------|------------|------------|------------|------------|------------|------------|------------|------------|
| | | 14 | | 16 | | 18 | | 19 | | 22 | | 24 | |
| | | TC [kW] | PI [kW] | TC [kW] | PI [kW] | TC [kW] | PI [kW] | TC [kW] | PI [kW] | TC [kW] | PI [kW] | TC [kW] | PI [kW] |
| 24+13+13 | 46 | 6.26 | 2.68 | 6.63 | 2.72 | 7.00 | 2.76 | 7.18 | 2.78 | 7.74 | 2.84 | 8.11 | 2.88 |
| | 43 | 6.48 | 2.60 | 6.85 | 2.64 | 7.22 | 2.68 | 7.41 | 2.70 | 7.96 | 2.75 | 8.33 | 2.79 |
| | 40 | 6.71 | 2.51 | 7.08 | 2.55 | 7.44 | 2.59 | 7.63 | 2.61 | 8.18 | 2.67 | 8.55 | 2.71 |
| | 35 | 7.08 | 2.35 | 7.44 | 2.39 | 7.81 | 2.43 | 8.00 | 2.45 | 8.55 | 2.51 | 8.92 | 2.54 |
| | 32 | 7.30 | 2.29 | 7.67 | 2.32 | 8.04 | 2.37 | 8.23 | 2.38 | 8.77 | 2.45 | 9.15 | 2.47 |
| | 25 | 7.82 | 2.09 | 8.19 | 2.11 | 8.56 | 2.17 | 8.75 | 2.18 | 9.29 | 2.25 | 9.67 | 2.27 |
| | 22 | 8.05 | 2.00 | 8.42 | 2.03 | 8.79 | 2.09 | 8.97 | 2.09 | 9.52 | 2.17 | 9.89 | 2.18 |
| 16+16+13 | 46 | 6.18 | 2.67 | 6.55 | 2.71 | 6.91 | 2.75 | 7.09 | 2.77 | 7.64 | 2.82 | 8.01 | 2.87 |
| | 43 | 6.40 | 2.59 | 6.77 | 2.62 | 7.13 | 2.66 | 7.31 | 2.69 | 7.86 | 2.74 | 8.23 | 2.78 |
| | 40 | 6.62 | 2.50 | 6.99 | 2.54 | 7.35 | 2.58 | 7.54 | 2.60 | 8.08 | 2.66 | 8.45 | 2.69 |
| | 35 | 6.99 | 2.34 | 7.35 | 2.38 | 7.72 | 2.42 | 7.90 | 2.44 | 8.45 | 2.50 | 8.81 | 2.53 |
| | 32 | 7.21 | 2.28 | 7.58 | 2.31 | 7.94 | 2.36 | 8.12 | 2.37 | 8.66 | 2.44 | 9.04 | 2.46 |
| | 25 | 7.73 | 2.08 | 8.09 | 2.10 | 8.46 | 2.16 | 8.64 | 2.17 | 9.18 | 2.24 | 9.55 | 2.26 |
| | 22 | 7.95 | 1.99 | 8.31 | 2.02 | 8.68 | 2.08 | 8.86 | 2.08 | 9.40 | 2.16 | 9.77 | 2.18 |
| 18+16+13 | 46 | 6.18 | 2.67 | 6.55 | 2.71 | 6.91 | 2.75 | 7.09 | 2.77 | 7.64 | 2.82 | 8.01 | 2.87 |
| | 43 | 6.40 | 2.59 | 6.77 | 2.62 | 7.13 | 2.66 | 7.31 | 2.69 | 7.86 | 2.74 | 8.23 | 2.78 |
| | 40 | 6.62 | 2.50 | 6.99 | 2.54 | 7.35 | 2.58 | 7.54 | 2.60 | 8.08 | 2.66 | 8.45 | 2.69 |
| | 35 | 6.99 | 2.34 | 7.35 | 2.38 | 7.72 | 2.42 | 7.90 | 2.44 | 8.45 | 2.50 | 8.81 | 2.53 |
| | 32 | 7.21 | 2.28 | 7.58 | 2.31 | 7.94 | 2.36 | 8.12 | 2.37 | 8.66 | 2.44 | 9.04 | 2.46 |
| | 25 | 7.73 | 2.08 | 8.09 | 2.10 | 8.46 | 2.16 | 8.64 | 2.17 | 9.18 | 2.24 | 9.55 | 2.26 |
| | 22 | 7.95 | 1.99 | 8.31 | 2.02 | 8.68 | 2.08 | 8.86 | 2.08 | 9.40 | 2.16 | 9.77 | 2.18 |
| 22+16+13 | 46 | 6.26 | 2.68 | 6.63 | 2.72 | 7.00 | 2.76 | 7.18 | 2.78 | 7.74 | 2.84 | 8.11 | 2.88 |
| | 43 | 6.48 | 2.60 | 6.85 | 2.64 | 7.22 | 2.68 | 7.41 | 2.70 | 7.96 | 2.75 | 8.33 | 2.79 |
| | 40 | 6.71 | 2.51 | 7.08 | 2.55 | 7.44 | 2.59 | 7.63 | 2.61 | 8.18 | 2.67 | 8.55 | 2.71 |
| | 35 | 7.08 | 2.35 | 7.44 | 2.39 | 7.81 | 2.43 | 8.00 | 2.45 | 8.55 | 2.51 | 8.92 | 2.54 |
| | 32 | 7.30 | 2.29 | 7.67 | 2.32 | 8.04 | 2.37 | 8.23 | 2.38 | 8.77 | 2.45 | 9.15 | 2.47 |
| | 25 | 7.82 | 2.09 | 8.19 | 2.11 | 8.56 | 2.17 | 8.75 | 2.18 | 9.29 | 2.25 | 9.67 | 2.27 |
| | 22 | 8.05 | 2.00 | 8.42 | 2.03 | 8.79 | 2.09 | 8.97 | 2.09 | 9.52 | 2.17 | 9.89 | 2.18 |
| 24+16+13 | 46 | 6.26 | 2.68 | 6.63 | 2.72 | 7.00 | 2.76 | 7.18 | 2.78 | 7.74 | 2.84 | 8.11 | 2.88 |
| | 43 | 6.48 | 2.60 | 6.85 | 2.64 | 7.22 | 2.68 | 7.41 | 2.70 | 7.96 | 2.75 | 8.33 | 2.79 |
| | 40 | 6.71 | 2.51 | 7.08 | 2.55 | 7.44 | 2.59 | 7.63 | 2.61 | 8.18 | 2.67 | 8.55 | 2.71 |
| | 35 | 7.08 | 2.35 | 7.44 | 2.39 | 7.81 | 2.43 | 8.00 | 2.45 | 8.55 | 2.51 | 8.92 | 2.54 |
| | 32 | 7.30 | 2.29 | 7.67 | 2.32 | 8.04 | 2.37 | 8.23 | 2.38 | 8.77 | 2.45 | 9.15 | 2.47 |
| | 25 | 7.82 | 2.09 | 8.19 | 2.11 | 8.56 | 2.17 | 8.75 | 2.18 | 9.29 | 2.25 | 9.67 | 2.27 |
| | 22 | 8.05 | 2.00 | 8.42 | 2.03 | 8.79 | 2.09 | 8.97 | 2.09 | 9.52 | 2.17 | 9.89 | 2.18 |
| 18+18+13 | 46 | 6.18 | 2.67 | 6.55 | 2.71 | 6.91 | 2.75 | 7.09 | 2.77 | 7.64 | 2.82 | 8.01 | 2.87 |
| | 43 | 6.40 | 2.59 | 6.77 | 2.62 | 7.13 | 2.66 | 7.31 | 2.69 | 7.86 | 2.74 | 8.23 | 2.78 |
| | 40 | 6.62 | 2.50 | 6.99 | 2.54 | 7.35 | 2.58 | 7.54 | 2.60 | 8.08 | 2.66 | 8.45 | 2.69 |
| | 35 | 6.99 | 2.34 | 7.35 | 2.38 | 7.72 | 2.42 | 7.90 | 2.44 | 8.45 | 2.50 | 8.81 | 2.53 |
| | 32 | 7.21 | 2.28 | 7.58 | 2.31 | 7.94 | 2.36 | 8.12 | 2.37 | 8.66 | 2.44 | 9.04 | 2.46 |
| | 25 | 7.73 | 2.08 | 8.09 | 2.10 | 8.46 | 2.16 | 8.64 | 2.17 | 9.18 | 2.24 | 9.55 | 2.26 |
| | 22 | 7.95 | 1.99 | 8.31 | 2.02 | 8.68 | 2.08 | 8.86 | 2.08 | 9.40 | 2.16 | 9.77 | 2.18 |
| 22+18+13 | 46 | 6.26 | 2.68 | 6.63 | 2.72 | 7.00 | 2.76 | 7.18 | 2.78 | 7.74 | 2.84 | 8.11 | 2.88 |
| | 43 | 6.48 | 2.60 | 6.85 | 2.64 | 7.22 | 2.68 | 7.41 | 2.70 | 7.96 | 2.75 | 8.33 | 2.79 |
| | 40 | 6.71 | 2.51 | 7.08 | 2.55 | 7.44 | 2.59 | 7.63 | 2.61 | 8.18 | 2.67 | 8.55 | 2.71 |
| | 35 | 7.08 | 2.35 | 7.44 | 2.39 | 7.81 | 2.43 | 8.00 | 2.45 | 8.55 | 2.51 | 8.92 | 2.54 |
| | 32 | 7.30 | 2.29 | 7.67 | 2.32 | 8.04 | 2.37 | 8.23 | 2.38 | 8.77 | 2.45 | 9.15 | 2.47 |
| | 25 | 7.82 | 2.09 | 8.19 | 2.11 | 8.56 | 2.17 | 8.75 | 2.18 | 9.29 | 2.25 | 9.67 | 2.27 |
| | 22 | 8.05 | 2.00 | 8.42 | 2.03 | 8.79 | 2.09 | 8.97 | 2.09 | 9.52 | 2.17 | 9.89 | 2.18 |
| 16+16+16 | 46 | 6.26 | 2.68 | 6.63 | 2.72 | 7.00 | 2.76 | 7.18 | 2.78 | 7.74 | 2.84 | 8.11 | 2.88 |
| | 43 | 6.48 | 2.60 | 6.85 | 2.64 | 7.22 | 2.68 | 7.41 | 2.70 | 7.96 | 2.75 | 8.33 | 2.79 |
| | 40 | 6.71 | 2.51 | 7.08 | 2.55 | 7.44 | 2.59 | 7.63 | 2.61 | 8.18 | 2.67 | 8.55 | 2.71 |
| | 35 | 7.08 | 2.35 | 7.44 | 2.39 | 7.81 | 2.43 | 8.00 | 2.45 | 8.55 | 2.51 | 8.92 | 2.54 |
| | 32 | 7.30 | 2.29 | 7.67 | 2.32 | 8.04 | 2.37 | 8.23 | 2.38 | 8.77 | 2.45 | 9.15 | 2.47 |
| | 25 | 7.82 | 2.09 | 8.19 | 2.11 | 8.56 | 2.17 | 8.75 | 2.18 | 9.29 | 2.25 | 9.67 | 2.27 |
| | 22 | 8.05 | 2.00 | 8.42 | 2.03 | 8.79 | 2.09 | 8.97 | 2.09 | 9.52 | 2.17 | 9.89 | 2.18 |

Cooling

4 - room multisplit : 3 - unit operation

Indoor units : 22 type + 16 type + 16 type

Outdoor unit : RAS-4M27U2AVG-E

| Combination (Capacity) | Outdoor air temp. [°C DB] | Indoor air temp. [°C WB] | | | | | | | | | | | |
|---------------------------|---------------------------------|--------------------------|------------|------------|------------|------------|------------|------------|------------|------------|------------|------------|------------|
| | | 14 | | 16 | | 18 | | 19 | | 22 | | 24 | |
| | | TC [kW] | PI [kW] | TC [kW] | PI [kW] | TC [kW] | PI [kW] | TC [kW] | PI [kW] | TC [kW] | PI [kW] | TC [kW] | PI [kW] |
| 22+16+16 | 46 | 6.26 | 2.68 | 6.63 | 2.72 | 7.00 | 2.76 | 7.18 | 2.78 | 7.74 | 2.84 | 8.11 | 2.88 |
| | 43 | 6.48 | 2.60 | 6.85 | 2.64 | 7.22 | 2.68 | 7.41 | 2.70 | 7.96 | 2.75 | 8.33 | 2.79 |
| | 40 | 6.71 | 2.51 | 7.08 | 2.55 | 7.44 | 2.59 | 7.63 | 2.61 | 8.18 | 2.67 | 8.55 | 2.71 |
| | 35 | 7.08 | 2.35 | 7.44 | 2.39 | 7.81 | 2.43 | 8.00 | 2.45 | 8.55 | 2.51 | 8.92 | 2.54 |
| | 32 | 7.30 | 2.29 | 7.67 | 2.32 | 8.04 | 2.37 | 8.23 | 2.38 | 8.77 | 2.45 | 9.15 | 2.47 |
| | 25 | 7.82 | 2.09 | 8.19 | 2.11 | 8.56 | 2.17 | 8.75 | 2.18 | 9.29 | 2.25 | 9.67 | 2.27 |
| | 22 | 8.05 | 2.00 | 8.42 | 2.03 | 8.79 | 2.09 | 8.97 | 2.09 | 9.52 | 2.17 | 9.89 | 2.18 |

Cooling

4 - rooms multisplit : 4 - unit operation

Indoor units : 05 type + 05 type + 05 type + 05 type 16 type + 05 type + 05 type + 05 type
 07 type + 05 type + 05 type + 05 type 18 type + 05 type + 05 type + 05 type
 10 type + 05 type + 05 type + 05 type 07 type + 07 type + 05 type + 05 type
 13 type + 05 type + 05 type + 05 type 10 type + 07 type + 05 type + 05 type

Outdoor unit : RAS-4M27U2AVG-E

| Combination (Capacity) | Outdoor air temp. [°C DB] | Indoor air temp. [°C WB] | | | | | | | | | | | |
|---------------------------|---------------------------------|--------------------------|------------|------------|------------|------------|------------|------------|------------|------------|------------|------------|------------|
| | | 14 | | 16 | | 18 | | 19 | | 22 | | 24 | |
| | | TC [kW] | PI [kW] | TC [kW] | PI [kW] | TC [kW] | PI [kW] | TC [kW] | PI [kW] | TC [kW] | PI [kW] | TC [kW] | PI [kW] |
| 05+05+05+05 | 46 | 4.69 | 1.65 | 4.97 | 1.68 | 5.25 | 1.70 | 5.39 | 1.72 | 5.80 | 1.75 | 6.08 | 1.77 |
| | 43 | 4.86 | 1.60 | 5.14 | 1.62 | 5.42 | 1.65 | 5.56 | 1.66 | 5.97 | 1.70 | 6.25 | 1.72 |
| | 40 | 5.03 | 1.55 | 5.31 | 1.57 | 5.58 | 1.60 | 5.72 | 1.61 | 6.14 | 1.64 | 6.42 | 1.67 |
| | 35 | 5.31 | 1.45 | 5.58 | 1.47 | 5.86 | 1.50 | 6.00 | 1.51 | 6.41 | 1.54 | 6.69 | 1.57 |
| | 32 | 5.48 | 1.41 | 5.75 | 1.43 | 6.03 | 1.46 | 6.17 | 1.47 | 6.58 | 1.51 | 6.86 | 1.52 |
| | 25 | 5.87 | 1.29 | 6.15 | 1.30 | 6.42 | 1.34 | 6.56 | 1.34 | 6.97 | 1.39 | 7.25 | 1.40 |
| | 22 | 6.04 | 1.23 | 6.31 | 1.25 | 6.59 | 1.29 | 6.73 | 1.29 | 7.14 | 1.33 | 7.42 | 1.35 |
| 07+05+05+05 | 46 | 5.09 | 1.87 | 5.39 | 1.90 | 5.69 | 1.93 | 5.84 | 1.94 | 6.29 | 1.98 | 6.59 | 2.01 |
| | 43 | 5.27 | 1.81 | 5.57 | 1.84 | 5.87 | 1.87 | 6.02 | 1.88 | 6.47 | 1.92 | 6.77 | 1.95 |
| | 40 | 5.45 | 1.75 | 5.75 | 1.78 | 6.05 | 1.81 | 6.20 | 1.82 | 6.65 | 1.86 | 6.95 | 1.89 |
| | 35 | 5.75 | 1.64 | 6.05 | 1.67 | 6.35 | 1.70 | 6.50 | 1.71 | 6.95 | 1.75 | 7.25 | 1.78 |
| | 32 | 5.93 | 1.60 | 6.23 | 1.62 | 6.53 | 1.65 | 6.68 | 1.66 | 7.13 | 1.71 | 7.43 | 1.73 |
| | 25 | 6.36 | 1.46 | 6.66 | 1.47 | 6.96 | 1.52 | 7.11 | 1.52 | 7.55 | 1.57 | 7.86 | 1.58 |
| | 22 | 6.54 | 1.40 | 6.84 | 1.41 | 7.14 | 1.46 | 7.29 | 1.46 | 7.73 | 1.51 | 8.04 | 1.52 |
| 10+05+05+05 | 46 | 5.63 | 2.20 | 5.97 | 2.23 | 6.30 | 2.26 | 6.47 | 2.28 | 6.96 | 2.33 | 7.30 | 2.36 |
| | 43 | 5.83 | 2.13 | 6.17 | 2.16 | 6.50 | 2.19 | 6.67 | 2.21 | 7.16 | 2.26 | 7.50 | 2.29 |
| | 40 | 6.04 | 2.06 | 6.37 | 2.09 | 6.70 | 2.13 | 6.87 | 2.14 | 7.36 | 2.19 | 7.70 | 2.22 |
| | 35 | 6.37 | 1.93 | 6.70 | 1.96 | 7.03 | 1.99 | 7.20 | 2.01 | 7.70 | 2.06 | 8.03 | 2.09 |
| | 32 | 6.57 | 1.88 | 6.90 | 1.90 | 7.24 | 1.94 | 7.40 | 1.95 | 7.90 | 2.01 | 8.23 | 2.03 |
| | 25 | 7.04 | 1.71 | 7.37 | 1.73 | 7.71 | 1.78 | 7.87 | 1.78 | 8.36 | 1.85 | 8.70 | 1.86 |
| | 22 | 7.24 | 1.64 | 7.58 | 1.66 | 7.91 | 1.71 | 8.07 | 1.71 | 8.56 | 1.78 | 8.91 | 1.79 |
| 13+05+05+05 | 46 | 6.10 | 2.24 | 6.46 | 2.27 | 6.82 | 2.30 | 7.00 | 2.32 | 7.54 | 2.36 | 7.90 | 2.40 |
| | 43 | 6.32 | 2.16 | 6.68 | 2.19 | 7.04 | 2.23 | 7.22 | 2.25 | 7.76 | 2.29 | 8.12 | 2.32 |
| | 40 | 6.54 | 2.09 | 6.90 | 2.12 | 7.26 | 2.16 | 7.44 | 2.17 | 7.98 | 2.22 | 8.34 | 2.25 |
| | 35 | 6.90 | 1.96 | 7.26 | 1.99 | 7.62 | 2.02 | 7.80 | 2.04 | 8.34 | 2.09 | 8.70 | 2.12 |
| | 32 | 7.12 | 1.90 | 7.48 | 1.93 | 7.84 | 1.97 | 8.02 | 1.98 | 8.56 | 2.04 | 8.92 | 2.06 |
| | 25 | 7.63 | 1.74 | 7.99 | 1.76 | 8.35 | 1.81 | 8.53 | 1.81 | 9.06 | 1.87 | 9.43 | 1.89 |
| | 22 | 7.85 | 1.67 | 8.21 | 1.69 | 8.57 | 1.74 | 8.75 | 1.74 | 9.28 | 1.80 | 9.65 | 1.82 |
| 16+05+05+05 | 46 | 6.10 | 2.30 | 6.46 | 2.33 | 6.82 | 2.37 | 7.00 | 2.39 | 7.54 | 2.43 | 7.90 | 2.47 |
| | 43 | 6.32 | 2.23 | 6.68 | 2.26 | 7.04 | 2.29 | 7.22 | 2.31 | 7.76 | 2.36 | 8.12 | 2.39 |
| | 40 | 6.54 | 2.15 | 6.90 | 2.18 | 7.26 | 2.22 | 7.44 | 2.24 | 7.98 | 2.29 | 8.34 | 2.32 |
| | 35 | 6.90 | 2.02 | 7.26 | 2.05 | 7.62 | 2.08 | 7.80 | 2.10 | 8.34 | 2.15 | 8.70 | 2.18 |
| | 32 | 7.12 | 1.96 | 7.48 | 1.99 | 7.84 | 2.03 | 8.02 | 2.04 | 8.56 | 2.10 | 8.92 | 2.12 |
| | 25 | 7.63 | 1.79 | 7.99 | 1.81 | 8.35 | 1.86 | 8.53 | 1.86 | 9.06 | 1.93 | 9.43 | 1.95 |
| | 22 | 7.85 | 1.72 | 8.21 | 1.74 | 8.57 | 1.79 | 8.75 | 1.79 | 9.28 | 1.86 | 9.65 | 1.87 |
| 18+05+05+05 | 46 | 6.10 | 2.33 | 6.46 | 2.37 | 6.82 | 2.40 | 7.00 | 2.42 | 7.54 | 2.47 | 7.90 | 2.50 |
| | 43 | 6.32 | 2.26 | 6.68 | 2.29 | 7.04 | 2.33 | 7.22 | 2.35 | 7.76 | 2.39 | 8.12 | 2.43 |
| | 40 | 6.54 | 2.19 | 6.90 | 2.22 | 7.26 | 2.25 | 7.44 | 2.27 | 7.98 | 2.32 | 8.34 | 2.35 |
| | 35 | 6.90 | 2.05 | 7.26 | 2.08 | 7.62 | 2.11 | 7.80 | 2.13 | 8.34 | 2.18 | 8.70 | 2.21 |
| | 32 | 7.12 | 1.99 | 7.48 | 2.01 | 7.84 | 2.06 | 8.02 | 2.07 | 8.56 | 2.13 | 8.92 | 2.15 |
| | 25 | 7.63 | 1.82 | 7.99 | 1.84 | 8.35 | 1.89 | 8.53 | 1.89 | 9.06 | 1.96 | 9.43 | 1.97 |
| | 22 | 7.85 | 1.74 | 8.21 | 1.76 | 8.57 | 1.82 | 8.75 | 1.82 | 9.28 | 1.88 | 9.65 | 1.90 |
| 07+07+05+05 | 46 | 5.48 | 2.10 | 5.80 | 2.13 | 6.12 | 2.16 | 6.29 | 2.18 | 6.77 | 2.22 | 7.09 | 2.26 |
| | 43 | 5.67 | 2.04 | 6.00 | 2.07 | 6.32 | 2.10 | 6.48 | 2.11 | 6.96 | 2.16 | 7.29 | 2.19 |
| | 40 | 5.87 | 1.97 | 6.19 | 2.00 | 6.51 | 2.03 | 6.68 | 2.05 | 7.16 | 2.09 | 7.48 | 2.12 |
| | 35 | 6.19 | 1.84 | 6.51 | 1.87 | 6.84 | 1.90 | 7.00 | 1.92 | 7.48 | 1.96 | 7.81 | 1.99 |
| | 32 | 6.39 | 1.79 | 6.71 | 1.82 | 7.04 | 1.86 | 7.20 | 1.86 | 7.68 | 1.92 | 8.01 | 1.94 |
| | 25 | 6.85 | 1.64 | 7.17 | 1.66 | 7.49 | 1.70 | 7.66 | 1.70 | 8.13 | 1.76 | 8.46 | 1.78 |
| | 22 | 7.04 | 1.57 | 7.36 | 1.59 | 7.69 | 1.64 | 7.85 | 1.64 | 8.33 | 1.70 | 8.66 | 1.71 |
| 10+07+05+05 | 46 | 5.87 | 2.34 | 6.21 | 2.38 | 6.56 | 2.41 | 6.74 | 2.43 | 7.25 | 2.48 | 7.60 | 2.51 |
| | 43 | 6.08 | 2.27 | 6.42 | 2.30 | 6.77 | 2.34 | 6.94 | 2.36 | 7.46 | 2.40 | 7.81 | 2.44 |
| | 40 | 6.29 | 2.20 | 6.63 | 2.23 | 6.98 | 2.26 | 7.15 | 2.28 | 7.67 | 2.33 | 8.02 | 2.36 |
| | 35 | 6.63 | 2.06 | 6.98 | 2.09 | 7.33 | 2.12 | 7.50 | 2.14 | 8.02 | 2.19 | 8.36 | 2.22 |
| | 32 | 6.85 | 2.00 | 7.19 | 2.02 | 7.54 | 2.07 | 7.71 | 2.08 | 8.23 | 2.14 | 8.58 | 2.16 |
| | 25 | 7.33 | 1.82 | 7.68 | 1.85 | 8.03 | 1.90 | 8.20 | 1.90 | 8.71 | 1.96 | 9.07 | 1.98 |
| | 22 | 7.54 | 1.75 | 7.89 | 1.77 | 8.24 | 1.82 | 8.41 | 1.82 | 8.92 | 1.89 | 9.28 | 1.91 |

Cooling

4 - rooms multisplit : 4 - unit operation

Indoor units : 13 type + 07 type + 05 type + 05 type 13 type + 10 type + 05 type + 05 type
 16 type + 07 type + 05 type + 05 type 16 type + 10 type + 05 type + 05 type
 18 type + 07 type + 05 type + 05 type 18 type + 10 type + 05 type + 05 type
 10 type + 10 type + 05 type + 05 type 13 type + 13 type + 05 type + 05 type

Outdoor unit : RAS-4M27U2AVG-E

| Combination (Capacity) | Outdoor air temp. [°C DB] | Indoor air temp. [°C WB] | | | | | | | | | | | |
|---------------------------|---------------------------------|--------------------------|------------|------------|------------|------------|------------|------------|------------|------------|------------|------------|------------|
| | | 14 | | 16 | | 18 | | 19 | | 22 | | 24 | |
| | | TC [kW] | PI [kW] | TC [kW] | PI [kW] | TC [kW] | PI [kW] | TC [kW] | PI [kW] | TC [kW] | PI [kW] | TC [kW] | PI [kW] |
| 13+07+05+05 | 46 | 6.10 | 2.28 | 6.46 | 2.31 | 6.82 | 2.34 | 7.00 | 2.36 | 7.54 | 2.41 | 7.90 | 2.44 |
| | 43 | 6.32 | 2.21 | 6.68 | 2.24 | 7.04 | 2.27 | 7.22 | 2.29 | 7.76 | 2.34 | 8.12 | 2.37 |
| | 40 | 6.54 | 2.13 | 6.90 | 2.16 | 7.26 | 2.20 | 7.44 | 2.22 | 7.98 | 2.27 | 8.34 | 2.30 |
| | 35 | 6.90 | 2.00 | 7.26 | 2.03 | 7.62 | 2.06 | 7.80 | 2.08 | 8.34 | 2.13 | 8.70 | 2.16 |
| | 32 | 7.12 | 1.94 | 7.48 | 1.97 | 7.84 | 2.01 | 8.02 | 2.02 | 8.56 | 2.08 | 8.92 | 2.10 |
| | 25 | 7.63 | 1.77 | 7.99 | 1.79 | 8.35 | 1.84 | 8.53 | 1.85 | 9.06 | 1.91 | 9.43 | 1.93 |
| | 22 | 7.85 | 1.70 | 8.21 | 1.72 | 8.57 | 1.77 | 8.75 | 1.77 | 9.28 | 1.84 | 9.65 | 1.85 |
| 16+07+05+05 | 46 | 6.10 | 2.33 | 6.46 | 2.37 | 6.82 | 2.40 | 7.00 | 2.42 | 7.54 | 2.47 | 7.90 | 2.50 |
| | 43 | 6.32 | 2.26 | 6.68 | 2.29 | 7.04 | 2.33 | 7.22 | 2.35 | 7.76 | 2.39 | 8.12 | 2.43 |
| | 40 | 6.54 | 2.19 | 6.90 | 2.22 | 7.26 | 2.25 | 7.44 | 2.27 | 7.98 | 2.32 | 8.34 | 2.35 |
| | 35 | 6.90 | 2.05 | 7.26 | 2.08 | 7.62 | 2.11 | 7.80 | 2.13 | 8.34 | 2.18 | 8.70 | 2.21 |
| | 32 | 7.12 | 1.99 | 7.48 | 2.01 | 7.84 | 2.06 | 8.02 | 2.07 | 8.56 | 2.13 | 8.92 | 2.15 |
| | 25 | 7.63 | 1.82 | 7.99 | 1.84 | 8.35 | 1.89 | 8.53 | 1.89 | 9.06 | 1.96 | 9.43 | 1.97 |
| | 22 | 7.85 | 1.74 | 8.21 | 1.76 | 8.57 | 1.82 | 8.75 | 1.82 | 9.28 | 1.88 | 9.65 | 1.90 |
| 18+07+05+05 | 46 | 6.18 | 2.38 | 6.55 | 2.41 | 6.91 | 2.44 | 7.09 | 2.47 | 7.64 | 2.51 | 8.01 | 2.55 |
| | 43 | 6.40 | 2.30 | 6.77 | 2.33 | 7.13 | 2.37 | 7.31 | 2.39 | 7.86 | 2.44 | 8.23 | 2.47 |
| | 40 | 6.62 | 2.23 | 6.99 | 2.26 | 7.35 | 2.30 | 7.54 | 2.31 | 8.08 | 2.36 | 8.45 | 2.40 |
| | 35 | 6.99 | 2.08 | 7.35 | 2.12 | 7.72 | 2.15 | 7.90 | 2.17 | 8.45 | 2.22 | 8.81 | 2.25 |
| | 32 | 7.21 | 2.03 | 7.58 | 2.05 | 7.94 | 2.10 | 8.12 | 2.11 | 8.66 | 2.17 | 9.04 | 2.19 |
| | 25 | 7.73 | 1.85 | 8.09 | 1.87 | 8.46 | 1.92 | 8.64 | 1.93 | 9.18 | 1.99 | 9.55 | 2.01 |
| | 22 | 7.95 | 1.77 | 8.31 | 1.79 | 8.68 | 1.85 | 8.86 | 1.85 | 9.40 | 1.92 | 9.77 | 1.93 |
| 10+10+05+05 | 46 | 6.10 | 2.26 | 6.46 | 2.29 | 6.82 | 2.32 | 7.00 | 2.34 | 7.54 | 2.38 | 7.90 | 2.42 |
| | 43 | 6.32 | 2.19 | 6.68 | 2.22 | 7.04 | 2.25 | 7.22 | 2.27 | 7.76 | 2.31 | 8.12 | 2.35 |
| | 40 | 6.54 | 2.11 | 6.90 | 2.14 | 7.26 | 2.18 | 7.44 | 2.19 | 7.98 | 2.24 | 8.34 | 2.27 |
| | 35 | 6.90 | 1.98 | 7.26 | 2.01 | 7.62 | 2.04 | 7.80 | 2.06 | 8.34 | 2.11 | 8.70 | 2.14 |
| | 32 | 7.12 | 1.92 | 7.48 | 1.95 | 7.84 | 1.99 | 8.02 | 2.00 | 8.56 | 2.06 | 8.92 | 2.08 |
| | 25 | 7.63 | 1.76 | 7.99 | 1.78 | 8.35 | 1.83 | 8.53 | 1.83 | 9.06 | 1.89 | 9.43 | 1.91 |
| | 22 | 7.85 | 1.68 | 8.21 | 1.70 | 8.57 | 1.76 | 8.75 | 1.76 | 9.28 | 1.82 | 9.65 | 1.84 |
| 13+10+05+05 | 46 | 6.10 | 2.32 | 6.46 | 2.36 | 6.82 | 2.39 | 7.00 | 2.41 | 7.54 | 2.45 | 7.90 | 2.49 |
| | 43 | 6.32 | 2.25 | 6.68 | 2.28 | 7.04 | 2.32 | 7.22 | 2.33 | 7.76 | 2.38 | 8.12 | 2.42 |
| | 40 | 6.54 | 2.18 | 6.90 | 2.21 | 7.26 | 2.24 | 7.44 | 2.26 | 7.98 | 2.31 | 8.34 | 2.34 |
| | 35 | 6.90 | 2.04 | 7.26 | 2.07 | 7.62 | 2.10 | 7.80 | 2.12 | 8.34 | 2.17 | 8.70 | 2.20 |
| | 32 | 7.12 | 1.98 | 7.48 | 2.00 | 7.84 | 2.05 | 8.02 | 2.06 | 8.56 | 2.12 | 8.92 | 2.14 |
| | 25 | 7.63 | 1.81 | 7.99 | 1.83 | 8.35 | 1.88 | 8.53 | 1.88 | 9.06 | 1.95 | 9.43 | 1.96 |
| | 22 | 7.85 | 1.73 | 8.21 | 1.75 | 8.57 | 1.81 | 8.75 | 1.81 | 9.28 | 1.87 | 9.65 | 1.89 |
| 16+10+05+05 | 46 | 6.18 | 2.39 | 6.55 | 2.42 | 6.91 | 2.46 | 7.09 | 2.48 | 7.64 | 2.52 | 8.01 | 2.56 |
| | 43 | 6.40 | 2.31 | 6.77 | 2.35 | 7.13 | 2.38 | 7.31 | 2.40 | 7.86 | 2.45 | 8.23 | 2.48 |
| | 40 | 6.62 | 2.24 | 6.99 | 2.27 | 7.35 | 2.31 | 7.54 | 2.32 | 8.08 | 2.37 | 8.45 | 2.41 |
| | 35 | 6.99 | 2.09 | 7.35 | 2.13 | 7.72 | 2.16 | 7.90 | 2.18 | 8.45 | 2.23 | 8.81 | 2.26 |
| | 32 | 7.21 | 2.03 | 7.58 | 2.06 | 7.94 | 2.11 | 8.12 | 2.12 | 8.66 | 2.18 | 9.04 | 2.20 |
| | 25 | 7.73 | 1.86 | 8.09 | 1.88 | 8.46 | 1.93 | 8.64 | 1.94 | 9.18 | 2.00 | 9.55 | 2.02 |
| | 22 | 7.95 | 1.78 | 8.31 | 1.80 | 8.68 | 1.86 | 8.86 | 1.86 | 9.40 | 1.93 | 9.77 | 1.94 |
| 18+10+05+05 | 46 | 6.18 | 2.41 | 6.55 | 2.44 | 6.91 | 2.48 | 7.09 | 2.50 | 7.64 | 2.55 | 8.01 | 2.59 |
| | 43 | 6.40 | 2.33 | 6.77 | 2.37 | 7.13 | 2.40 | 7.31 | 2.42 | 7.86 | 2.47 | 8.23 | 2.51 |
| | 40 | 6.62 | 2.26 | 6.99 | 2.29 | 7.35 | 2.33 | 7.54 | 2.34 | 8.08 | 2.40 | 8.45 | 2.43 |
| | 35 | 6.99 | 2.11 | 7.35 | 2.15 | 7.72 | 2.18 | 7.90 | 2.20 | 8.45 | 2.25 | 8.81 | 2.29 |
| | 32 | 7.21 | 2.05 | 7.58 | 2.08 | 7.94 | 2.13 | 8.12 | 2.14 | 8.66 | 2.20 | 9.04 | 2.22 |
| | 25 | 7.73 | 1.87 | 8.09 | 1.90 | 8.46 | 1.95 | 8.64 | 1.95 | 9.18 | 2.02 | 9.55 | 2.04 |
| | 22 | 7.95 | 1.80 | 8.31 | 1.82 | 8.68 | 1.88 | 8.86 | 1.88 | 9.40 | 1.94 | 9.77 | 1.96 |
| 13+13+05+05 | 46 | 6.18 | 2.40 | 6.55 | 2.43 | 6.91 | 2.47 | 7.09 | 2.49 | 7.64 | 2.54 | 8.01 | 2.57 |
| | 43 | 6.40 | 2.32 | 6.77 | 2.36 | 7.13 | 2.39 | 7.31 | 2.41 | 7.86 | 2.46 | 8.23 | 2.50 |
| | 40 | 6.62 | 2.25 | 6.99 | 2.28 | 7.35 | 2.32 | 7.54 | 2.33 | 8.08 | 2.39 | 8.45 | 2.42 |
| | 35 | 6.99 | 2.10 | 7.35 | 2.14 | 7.72 | 2.17 | 7.90 | 2.19 | 8.45 | 2.24 | 8.81 | 2.27 |
| | 32 | 7.21 | 2.04 | 7.58 | 2.07 | 7.94 | 2.12 | 8.12 | 2.13 | 8.66 | 2.19 | 9.04 | 2.21 |
| | 25 | 7.73 | 1.87 | 8.09 | 1.89 | 8.46 | 1.94 | 8.64 | 1.94 | 9.18 | 2.01 | 9.55 | 2.03 |
| | 22 | 7.95 | 1.79 | 8.31 | 1.81 | 8.68 | 1.87 | 8.86 | 1.87 | 9.40 | 1.94 | 9.77 | 1.95 |

Cooling

4 - rooms multisplit : 4 - unit operation

Indoor units : 16 type + 13 type + 05 type + 05 type 18 type + 18 type + 05 type + 05 type
 18 type + 13 type + 05 type + 05 type 07 type + 07 type + 07 type + 05 type
 16 type + 16 type + 05 type + 05 type 10 type + 07 type + 07 type + 05 type
 18 type + 16 type + 05 type + 05 type 13 type + 07 type + 07 type + 05 type

Outdoor unit : RAS-4M27U2AVG-E

| Combination (Capacity) | Outdoor air temp. [°C DB] | Indoor air temp. [°C WB] | | | | | | | | | | | |
|---------------------------|---------------------------------|--------------------------|------------|------------|------------|------------|------------|------------|------------|------------|------------|------------|------------|
| | | 14 | | 16 | | 18 | | 19 | | 22 | | 24 | |
| | | TC [kW] | PI [kW] | TC [kW] | PI [kW] | TC [kW] | PI [kW] | TC [kW] | PI [kW] | TC [kW] | PI [kW] | TC [kW] | PI [kW] |
| 16+13+05+05 | 46 | 6.18 | 2.42 | 6.55 | 2.46 | 6.91 | 2.49 | 7.09 | 2.51 | 7.64 | 2.56 | 8.01 | 2.60 |
| | 43 | 6.40 | 2.34 | 6.77 | 2.38 | 7.13 | 2.41 | 7.31 | 2.43 | 7.86 | 2.48 | 8.23 | 2.52 |
| | 40 | 6.62 | 2.27 | 6.99 | 2.30 | 7.35 | 2.34 | 7.54 | 2.35 | 8.08 | 2.41 | 8.45 | 2.44 |
| | 35 | 6.99 | 2.12 | 7.35 | 2.16 | 7.72 | 2.19 | 7.90 | 2.21 | 8.45 | 2.26 | 8.81 | 2.30 |
| | 32 | 7.21 | 2.06 | 7.58 | 2.09 | 7.94 | 2.14 | 8.12 | 2.15 | 8.66 | 2.21 | 9.04 | 2.23 |
| | 25 | 7.73 | 1.88 | 8.09 | 1.91 | 8.46 | 1.96 | 8.64 | 1.96 | 9.18 | 2.03 | 9.55 | 2.05 |
| | 22 | 7.95 | 1.81 | 8.31 | 1.83 | 8.68 | 1.88 | 8.86 | 1.88 | 9.40 | 1.95 | 9.77 | 1.97 |
| 18+13+05+05 | 46 | 6.18 | 2.43 | 6.55 | 2.47 | 6.91 | 2.50 | 7.09 | 2.52 | 7.64 | 2.57 | 8.01 | 2.61 |
| | 43 | 6.40 | 2.36 | 6.77 | 2.39 | 7.13 | 2.42 | 7.31 | 2.44 | 7.86 | 2.49 | 8.23 | 2.53 |
| | 40 | 6.62 | 2.28 | 6.99 | 2.31 | 7.35 | 2.35 | 7.54 | 2.37 | 8.08 | 2.42 | 8.45 | 2.45 |
| | 35 | 6.99 | 2.13 | 7.35 | 2.17 | 7.72 | 2.20 | 7.90 | 2.22 | 8.45 | 2.27 | 8.81 | 2.31 |
| | 32 | 7.21 | 2.07 | 7.58 | 2.10 | 7.94 | 2.15 | 8.12 | 2.16 | 8.66 | 2.22 | 9.04 | 2.24 |
| | 25 | 7.73 | 1.89 | 8.09 | 1.91 | 8.46 | 1.97 | 8.64 | 1.97 | 9.18 | 2.04 | 9.55 | 2.06 |
| | 22 | 7.95 | 1.81 | 8.31 | 1.84 | 8.68 | 1.89 | 8.86 | 1.89 | 9.40 | 1.96 | 9.77 | 1.98 |
| 16+16+05+05 | 46 | 6.18 | 2.44 | 6.55 | 2.48 | 6.91 | 2.51 | 7.09 | 2.53 | 7.64 | 2.58 | 8.01 | 2.62 |
| | 43 | 6.40 | 2.37 | 6.77 | 2.40 | 7.13 | 2.44 | 7.31 | 2.46 | 7.86 | 2.51 | 8.23 | 2.54 |
| | 40 | 6.62 | 2.29 | 6.99 | 2.32 | 7.35 | 2.36 | 7.54 | 2.38 | 8.08 | 2.43 | 8.45 | 2.46 |
| | 35 | 6.99 | 2.14 | 7.35 | 2.18 | 7.72 | 2.21 | 7.90 | 2.23 | 8.45 | 2.28 | 8.81 | 2.32 |
| | 32 | 7.21 | 2.08 | 7.58 | 2.11 | 7.94 | 2.16 | 8.12 | 2.16 | 8.66 | 2.23 | 9.04 | 2.25 |
| | 25 | 7.73 | 1.90 | 8.09 | 1.92 | 8.46 | 1.98 | 8.64 | 1.98 | 9.18 | 2.05 | 9.55 | 2.07 |
| | 22 | 7.95 | 1.82 | 8.31 | 1.84 | 8.68 | 1.90 | 8.86 | 1.90 | 9.40 | 1.97 | 9.77 | 1.99 |
| 18+16+05+05 | 46 | 6.18 | 2.44 | 6.55 | 2.48 | 6.91 | 2.51 | 7.09 | 2.53 | 7.64 | 2.58 | 8.01 | 2.62 |
| | 43 | 6.40 | 2.37 | 6.77 | 2.40 | 7.13 | 2.44 | 7.31 | 2.46 | 7.86 | 2.51 | 8.23 | 2.54 |
| | 40 | 6.62 | 2.29 | 6.99 | 2.32 | 7.35 | 2.36 | 7.54 | 2.38 | 8.08 | 2.43 | 8.45 | 2.46 |
| | 35 | 6.99 | 2.14 | 7.35 | 2.18 | 7.72 | 2.21 | 7.90 | 2.23 | 8.45 | 2.28 | 8.81 | 2.32 |
| | 32 | 7.21 | 2.08 | 7.58 | 2.11 | 7.94 | 2.16 | 8.12 | 2.16 | 8.66 | 2.23 | 9.04 | 2.25 |
| | 25 | 7.73 | 1.90 | 8.09 | 1.92 | 8.46 | 1.98 | 8.64 | 1.98 | 9.18 | 2.05 | 9.55 | 2.07 |
| | 22 | 7.95 | 1.82 | 8.31 | 1.84 | 8.68 | 1.90 | 8.86 | 1.90 | 9.40 | 1.97 | 9.77 | 1.99 |
| 18+18+05+05 | 46 | 6.18 | 2.44 | 6.55 | 2.48 | 6.91 | 2.51 | 7.09 | 2.53 | 7.64 | 2.58 | 8.01 | 2.62 |
| | 43 | 6.40 | 2.37 | 6.77 | 2.40 | 7.13 | 2.44 | 7.31 | 2.46 | 7.86 | 2.51 | 8.23 | 2.54 |
| | 40 | 6.62 | 2.29 | 6.99 | 2.32 | 7.35 | 2.36 | 7.54 | 2.38 | 8.08 | 2.43 | 8.45 | 2.46 |
| | 35 | 6.99 | 2.14 | 7.35 | 2.18 | 7.72 | 2.21 | 7.90 | 2.23 | 8.45 | 2.28 | 8.81 | 2.32 |
| | 32 | 7.21 | 2.08 | 7.58 | 2.11 | 7.94 | 2.16 | 8.12 | 2.16 | 8.66 | 2.23 | 9.04 | 2.25 |
| | 25 | 7.73 | 1.90 | 8.09 | 1.92 | 8.46 | 1.98 | 8.64 | 1.98 | 9.18 | 2.05 | 9.55 | 2.07 |
| | 22 | 7.95 | 1.82 | 8.31 | 1.84 | 8.68 | 1.90 | 8.86 | 1.90 | 9.40 | 1.97 | 9.77 | 1.99 |
| 07+07+07+05 | 46 | 5.87 | 2.34 | 6.21 | 2.38 | 6.56 | 2.41 | 6.74 | 2.43 | 7.25 | 2.48 | 7.60 | 2.51 |
| | 43 | 6.08 | 2.27 | 6.42 | 2.30 | 6.77 | 2.34 | 6.94 | 2.36 | 7.46 | 2.40 | 7.81 | 2.44 |
| | 40 | 6.29 | 2.20 | 6.63 | 2.23 | 6.98 | 2.26 | 7.15 | 2.28 | 7.67 | 2.33 | 8.02 | 2.36 |
| | 35 | 6.63 | 2.06 | 6.98 | 2.09 | 7.33 | 2.12 | 7.50 | 2.14 | 8.02 | 2.19 | 8.36 | 2.22 |
| | 32 | 6.85 | 2.00 | 7.19 | 2.02 | 7.54 | 2.07 | 7.71 | 2.08 | 8.23 | 2.14 | 8.58 | 2.16 |
| | 25 | 7.33 | 1.82 | 7.68 | 1.85 | 8.03 | 1.90 | 8.20 | 1.90 | 8.71 | 1.96 | 9.07 | 1.98 |
| | 22 | 7.54 | 1.75 | 7.89 | 1.77 | 8.24 | 1.82 | 8.41 | 1.82 | 8.92 | 1.89 | 9.28 | 1.91 |
| 10+07+07+05 | 46 | 6.10 | 2.24 | 6.46 | 2.27 | 6.82 | 2.30 | 7.00 | 2.32 | 7.54 | 2.36 | 7.90 | 2.40 |
| | 43 | 6.32 | 2.16 | 6.68 | 2.19 | 7.04 | 2.23 | 7.22 | 2.25 | 7.76 | 2.29 | 8.12 | 2.32 |
| | 40 | 6.54 | 2.09 | 6.90 | 2.12 | 7.26 | 2.16 | 7.44 | 2.17 | 7.98 | 2.22 | 8.34 | 2.25 |
| | 35 | 6.90 | 1.96 | 7.26 | 1.99 | 7.62 | 2.02 | 7.80 | 2.04 | 8.34 | 2.09 | 8.70 | 2.12 |
| | 32 | 7.12 | 1.90 | 7.48 | 1.93 | 7.84 | 1.97 | 8.02 | 1.98 | 8.56 | 2.04 | 8.92 | 2.06 |
| | 25 | 7.63 | 1.74 | 7.99 | 1.76 | 8.35 | 1.81 | 8.53 | 1.81 | 9.06 | 1.87 | 9.43 | 1.89 |
| | 22 | 7.85 | 1.67 | 8.21 | 1.69 | 8.57 | 1.74 | 8.75 | 1.74 | 9.28 | 1.80 | 9.65 | 1.82 |
| 13+07+07+05 | 46 | 6.10 | 2.31 | 6.46 | 2.34 | 6.82 | 2.38 | 7.00 | 2.40 | 7.54 | 2.44 | 7.90 | 2.48 |
| | 43 | 6.32 | 2.24 | 6.68 | 2.27 | 7.04 | 2.30 | 7.22 | 2.32 | 7.76 | 2.37 | 8.12 | 2.40 |
| | 40 | 6.54 | 2.17 | 6.90 | 2.19 | 7.26 | 2.23 | 7.44 | 2.25 | 7.98 | 2.30 | 8.34 | 2.33 |
| | 35 | 6.90 | 2.03 | 7.26 | 2.06 | 7.62 | 2.09 | 7.80 | 2.11 | 8.34 | 2.16 | 8.70 | 2.19 |
| | 32 | 7.12 | 1.97 | 7.48 | 1.99 | 7.84 | 2.04 | 8.02 | 2.05 | 8.56 | 2.11 | 8.92 | 2.13 |
| | 25 | 7.63 | 1.80 | 7.99 | 1.82 | 8.35 | 1.87 | 8.53 | 1.87 | 9.06 | 1.94 | 9.43 | 1.96 |
| | 22 | 7.85 | 1.72 | 8.21 | 1.74 | 8.57 | 1.80 | 8.75 | 1.80 | 9.28 | 1.87 | 9.65 | 1.88 |

Cooling

4 - rooms multisplit : 4 - unit operation

Indoor units : 16 type + 07 type + 07 type + 05 type 16 type + 10 type + 07 type + 05 type
 18 type + 07 type + 07 type + 05 type 18 type + 10 type + 07 type + 05 type
 10 type + 10 type + 07 type + 05 type 13 type + 13 type + 07 type + 05 type
 13 type + 10 type + 07 type + 05 type 16 type + 13 type + 07 type + 05 type

Outdoor unit : RAS-4M27U2AVG-E

| Combination (Capacity) | Outdoor air temp. [°C DB] | Indoor air temp. [°C WB] | | | | | | | | | | | |
|---------------------------|---------------------------------|--------------------------|------------|------------|------------|------------|------------|------------|------------|------------|------------|------------|------------|
| | | 14 | | 16 | | 18 | | 19 | | 22 | | 24 | |
| | | TC [kW] | PI [kW] | TC [kW] | PI [kW] | TC [kW] | PI [kW] | TC [kW] | PI [kW] | TC [kW] | PI [kW] | TC [kW] | PI [kW] |
| 16+07+07+05 | 46 | 6.18 | 2.38 | 6.55 | 2.41 | 6.91 | 2.44 | 7.09 | 2.47 | 7.64 | 2.51 | 8.01 | 2.55 |
| | 43 | 6.40 | 2.30 | 6.77 | 2.33 | 7.13 | 2.37 | 7.31 | 2.39 | 7.86 | 2.44 | 8.23 | 2.47 |
| | 40 | 6.62 | 2.23 | 6.99 | 2.26 | 7.35 | 2.30 | 7.54 | 2.31 | 8.08 | 2.36 | 8.45 | 2.40 |
| | 35 | 6.99 | 2.08 | 7.35 | 2.12 | 7.72 | 2.15 | 7.90 | 2.17 | 8.45 | 2.22 | 8.81 | 2.25 |
| | 32 | 7.21 | 2.03 | 7.58 | 2.05 | 7.94 | 2.10 | 8.12 | 2.11 | 8.66 | 2.17 | 9.04 | 2.19 |
| | 25 | 7.73 | 1.85 | 8.09 | 1.87 | 8.46 | 1.92 | 8.64 | 1.93 | 9.18 | 1.99 | 9.55 | 2.01 |
| | 22 | 7.95 | 1.77 | 8.31 | 1.79 | 8.68 | 1.85 | 8.86 | 1.85 | 9.40 | 1.92 | 9.77 | 1.93 |
| 18+07+07+05 | 46 | 6.18 | 2.41 | 6.55 | 2.44 | 6.91 | 2.48 | 7.09 | 2.50 | 7.64 | 2.55 | 8.01 | 2.59 |
| | 43 | 6.40 | 2.33 | 6.77 | 2.37 | 7.13 | 2.40 | 7.31 | 2.42 | 7.86 | 2.47 | 8.23 | 2.51 |
| | 40 | 6.62 | 2.26 | 6.99 | 2.29 | 7.35 | 2.33 | 7.54 | 2.34 | 8.08 | 2.40 | 8.45 | 2.43 |
| | 35 | 6.99 | 2.11 | 7.35 | 2.15 | 7.72 | 2.18 | 7.90 | 2.20 | 8.45 | 2.25 | 8.81 | 2.29 |
| | 32 | 7.21 | 2.05 | 7.58 | 2.08 | 7.94 | 2.13 | 8.12 | 2.14 | 8.66 | 2.20 | 9.04 | 2.22 |
| | 25 | 7.73 | 1.87 | 8.09 | 1.90 | 8.46 | 1.95 | 8.64 | 1.95 | 9.18 | 2.02 | 9.55 | 2.04 |
| | 22 | 7.95 | 1.80 | 8.31 | 1.82 | 8.68 | 1.88 | 8.86 | 1.88 | 9.40 | 1.94 | 9.77 | 1.96 |
| 10+10+07+05 | 46 | 6.18 | 2.29 | 6.55 | 2.32 | 6.91 | 2.35 | 7.09 | 2.38 | 7.64 | 2.42 | 8.01 | 2.46 |
| | 43 | 6.40 | 2.22 | 6.77 | 2.25 | 7.13 | 2.28 | 7.31 | 2.30 | 7.86 | 2.35 | 8.23 | 2.38 |
| | 40 | 6.62 | 2.14 | 6.99 | 2.17 | 7.35 | 2.21 | 7.54 | 2.23 | 8.08 | 2.28 | 8.45 | 2.31 |
| | 35 | 6.99 | 2.01 | 7.35 | 2.04 | 7.72 | 2.07 | 7.90 | 2.09 | 8.45 | 2.14 | 8.81 | 2.17 |
| | 32 | 7.21 | 1.95 | 7.58 | 1.98 | 7.94 | 2.02 | 8.12 | 2.03 | 8.66 | 2.09 | 9.04 | 2.11 |
| | 25 | 7.73 | 1.78 | 8.09 | 1.80 | 8.46 | 1.85 | 8.64 | 1.86 | 9.18 | 1.92 | 9.55 | 1.94 |
| | 22 | 7.95 | 1.71 | 8.31 | 1.73 | 8.68 | 1.78 | 8.86 | 1.78 | 9.40 | 1.85 | 9.77 | 1.86 |
| 13+10+07+05 | 46 | 6.18 | 2.37 | 6.55 | 2.40 | 6.91 | 2.43 | 7.09 | 2.45 | 7.64 | 2.50 | 8.01 | 2.54 |
| | 43 | 6.40 | 2.29 | 6.77 | 2.32 | 7.13 | 2.36 | 7.31 | 2.38 | 7.86 | 2.43 | 8.23 | 2.46 |
| | 40 | 6.62 | 2.22 | 6.99 | 2.25 | 7.35 | 2.28 | 7.54 | 2.30 | 8.08 | 2.35 | 8.45 | 2.38 |
| | 35 | 6.99 | 2.07 | 7.35 | 2.11 | 7.72 | 2.14 | 7.90 | 2.16 | 8.45 | 2.21 | 8.81 | 2.24 |
| | 32 | 7.21 | 2.02 | 7.58 | 2.04 | 7.94 | 2.09 | 8.12 | 2.10 | 8.66 | 2.16 | 9.04 | 2.18 |
| | 25 | 7.73 | 1.84 | 8.09 | 1.86 | 8.46 | 1.92 | 8.64 | 1.92 | 9.18 | 1.98 | 9.55 | 2.00 |
| | 22 | 7.95 | 1.77 | 8.31 | 1.79 | 8.68 | 1.84 | 8.86 | 1.84 | 9.40 | 1.91 | 9.77 | 1.93 |
| 16+10+07+05 | 46 | 6.18 | 2.41 | 6.55 | 2.44 | 6.91 | 2.48 | 7.09 | 2.50 | 7.64 | 2.55 | 8.01 | 2.59 |
| | 43 | 6.40 | 2.33 | 6.77 | 2.37 | 7.13 | 2.40 | 7.31 | 2.42 | 7.86 | 2.47 | 8.23 | 2.51 |
| | 40 | 6.62 | 2.26 | 6.99 | 2.29 | 7.35 | 2.33 | 7.54 | 2.34 | 8.08 | 2.40 | 8.45 | 2.43 |
| | 35 | 6.99 | 2.11 | 7.35 | 2.15 | 7.72 | 2.18 | 7.90 | 2.20 | 8.45 | 2.25 | 8.81 | 2.29 |
| | 32 | 7.21 | 2.05 | 7.58 | 2.08 | 7.94 | 2.13 | 8.12 | 2.14 | 8.66 | 2.20 | 9.04 | 2.22 |
| | 25 | 7.73 | 1.87 | 8.09 | 1.90 | 8.46 | 1.95 | 8.64 | 1.95 | 9.18 | 2.02 | 9.55 | 2.04 |
| | 22 | 7.95 | 1.80 | 8.31 | 1.82 | 8.68 | 1.88 | 8.86 | 1.88 | 9.40 | 1.94 | 9.77 | 1.96 |
| 18+10+07+05 | 46 | 6.18 | 2.42 | 6.55 | 2.46 | 6.91 | 2.49 | 7.09 | 2.51 | 7.64 | 2.56 | 8.01 | 2.60 |
| | 43 | 6.40 | 2.34 | 6.77 | 2.38 | 7.13 | 2.41 | 7.31 | 2.43 | 7.86 | 2.48 | 8.23 | 2.52 |
| | 40 | 6.62 | 2.27 | 6.99 | 2.30 | 7.35 | 2.34 | 7.54 | 2.35 | 8.08 | 2.41 | 8.45 | 2.44 |
| | 35 | 6.99 | 2.12 | 7.35 | 2.16 | 7.72 | 2.19 | 7.90 | 2.21 | 8.45 | 2.26 | 8.81 | 2.30 |
| | 32 | 7.21 | 2.06 | 7.58 | 2.09 | 7.94 | 2.14 | 8.12 | 2.15 | 8.66 | 2.21 | 9.04 | 2.23 |
| | 25 | 7.73 | 1.88 | 8.09 | 1.91 | 8.46 | 1.96 | 8.64 | 1.96 | 9.18 | 2.03 | 9.55 | 2.05 |
| | 22 | 7.95 | 1.81 | 8.31 | 1.83 | 8.68 | 1.88 | 8.86 | 1.88 | 9.40 | 1.95 | 9.77 | 1.97 |
| 13+13+07+05 | 46 | 6.18 | 2.42 | 6.55 | 2.46 | 6.91 | 2.49 | 7.09 | 2.51 | 7.64 | 2.56 | 8.01 | 2.60 |
| | 43 | 6.40 | 2.34 | 6.77 | 2.38 | 7.13 | 2.41 | 7.31 | 2.43 | 7.86 | 2.48 | 8.23 | 2.52 |
| | 40 | 6.62 | 2.27 | 6.99 | 2.30 | 7.35 | 2.34 | 7.54 | 2.35 | 8.08 | 2.41 | 8.45 | 2.44 |
| | 35 | 6.99 | 2.12 | 7.35 | 2.16 | 7.72 | 2.19 | 7.90 | 2.21 | 8.45 | 2.26 | 8.81 | 2.30 |
| | 32 | 7.21 | 2.06 | 7.58 | 2.09 | 7.94 | 2.14 | 8.12 | 2.15 | 8.66 | 2.21 | 9.04 | 2.23 |
| | 25 | 7.73 | 1.88 | 8.09 | 1.91 | 8.46 | 1.96 | 8.64 | 1.96 | 9.18 | 2.03 | 9.55 | 2.05 |
| | 22 | 7.95 | 1.81 | 8.31 | 1.83 | 8.68 | 1.88 | 8.86 | 1.88 | 9.40 | 1.95 | 9.77 | 1.97 |
| 16+13+07+05 | 46 | 6.18 | 2.43 | 6.55 | 2.47 | 6.91 | 2.50 | 7.09 | 2.52 | 7.64 | 2.57 | 8.01 | 2.61 |
| | 43 | 6.40 | 2.36 | 6.77 | 2.39 | 7.13 | 2.42 | 7.31 | 2.44 | 7.86 | 2.49 | 8.23 | 2.53 |
| | 40 | 6.62 | 2.28 | 6.99 | 2.31 | 7.35 | 2.35 | 7.54 | 2.37 | 8.08 | 2.42 | 8.45 | 2.45 |
| | 35 | 6.99 | 2.13 | 7.35 | 2.17 | 7.72 | 2.20 | 7.90 | 2.22 | 8.45 | 2.27 | 8.81 | 2.31 |
| | 32 | 7.21 | 2.07 | 7.58 | 2.10 | 7.94 | 2.15 | 8.12 | 2.16 | 8.66 | 2.22 | 9.04 | 2.24 |
| | 25 | 7.73 | 1.89 | 8.09 | 1.91 | 8.46 | 1.97 | 8.64 | 1.97 | 9.18 | 2.04 | 9.55 | 2.06 |
| | 22 | 7.95 | 1.81 | 8.31 | 1.84 | 8.68 | 1.89 | 8.86 | 1.89 | 9.40 | 1.96 | 9.77 | 1.98 |

Cooling

4 - rooms multisplit : 4 - unit operation

Indoor units : 18 type + 13 type + 07 type + 05 type
 16 type + 16 type + 07 type + 05 type
 18 type + 16 type + 07 type + 05 type
 18 type + 18 type + 07 type + 05 type

10 type + 10 type + 10 type + 05 type
 13 type + 10 type + 10 type + 05 type
 16 type + 10 type + 10 type + 05 type
 18 type + 10 type + 10 type + 05 type

Outdoor unit : RAS-4M27U2AVG-E

| Combination (Capacity) | Outdoor air temp. [°C DB] | Indoor air temp. [°C WB] | | | | | | | | | | | |
|---------------------------|---------------------------------|--------------------------|------------|------------|------------|------------|------------|------------|------------|------------|------------|------------|------------|
| | | 14 | | 16 | | 18 | | 19 | | 22 | | 24 | |
| | | TC [kW] | PI [kW] | TC [kW] | PI [kW] | TC [kW] | PI [kW] | TC [kW] | PI [kW] | TC [kW] | PI [kW] | TC [kW] | PI [kW] |
| 18+13+07+05 | 46 | 6.18 | 2.43 | 6.55 | 2.47 | 6.91 | 2.50 | 7.09 | 2.52 | 7.64 | 2.57 | 8.01 | 2.61 |
| | 43 | 6.40 | 2.36 | 6.77 | 2.39 | 7.13 | 2.42 | 7.31 | 2.44 | 7.86 | 2.49 | 8.23 | 2.53 |
| | 40 | 6.62 | 2.28 | 6.99 | 2.31 | 7.35 | 2.35 | 7.54 | 2.37 | 8.08 | 2.42 | 8.45 | 2.45 |
| | 35 | 6.99 | 2.13 | 7.35 | 2.17 | 7.72 | 2.20 | 7.90 | 2.22 | 8.45 | 2.27 | 8.81 | 2.31 |
| | 32 | 7.21 | 2.07 | 7.58 | 2.10 | 7.94 | 2.15 | 8.12 | 2.16 | 8.66 | 2.22 | 9.04 | 2.24 |
| | 25 | 7.73 | 1.89 | 8.09 | 1.91 | 8.46 | 1.97 | 8.64 | 1.97 | 9.18 | 2.04 | 9.55 | 2.06 |
| | 22 | 7.95 | 1.81 | 8.31 | 1.84 | 8.68 | 1.89 | 8.86 | 1.89 | 9.40 | 1.96 | 9.77 | 1.98 |
| 16+16+07+05 | 46 | 6.18 | 2.43 | 6.55 | 2.47 | 6.91 | 2.50 | 7.09 | 2.52 | 7.64 | 2.57 | 8.01 | 2.61 |
| | 43 | 6.40 | 2.36 | 6.77 | 2.39 | 7.13 | 2.42 | 7.31 | 2.44 | 7.86 | 2.49 | 8.23 | 2.53 |
| | 40 | 6.62 | 2.28 | 6.99 | 2.31 | 7.35 | 2.35 | 7.54 | 2.37 | 8.08 | 2.42 | 8.45 | 2.45 |
| | 35 | 6.99 | 2.13 | 7.35 | 2.17 | 7.72 | 2.20 | 7.90 | 2.22 | 8.45 | 2.27 | 8.81 | 2.31 |
| | 32 | 7.21 | 2.07 | 7.58 | 2.10 | 7.94 | 2.15 | 8.12 | 2.16 | 8.66 | 2.22 | 9.04 | 2.24 |
| | 25 | 7.73 | 1.89 | 8.09 | 1.91 | 8.46 | 1.97 | 8.64 | 1.97 | 9.18 | 2.04 | 9.55 | 2.06 |
| | 22 | 7.95 | 1.81 | 8.31 | 1.84 | 8.68 | 1.89 | 8.86 | 1.89 | 9.40 | 1.96 | 9.77 | 1.98 |
| 18+16+07+05 | 46 | 6.18 | 2.43 | 6.55 | 2.47 | 6.91 | 2.50 | 7.09 | 2.52 | 7.64 | 2.57 | 8.01 | 2.61 |
| | 43 | 6.40 | 2.36 | 6.77 | 2.39 | 7.13 | 2.42 | 7.31 | 2.44 | 7.86 | 2.49 | 8.23 | 2.53 |
| | 40 | 6.62 | 2.28 | 6.99 | 2.31 | 7.35 | 2.35 | 7.54 | 2.37 | 8.08 | 2.42 | 8.45 | 2.45 |
| | 35 | 6.99 | 2.13 | 7.35 | 2.17 | 7.72 | 2.20 | 7.90 | 2.22 | 8.45 | 2.27 | 8.81 | 2.31 |
| | 32 | 7.21 | 2.07 | 7.58 | 2.10 | 7.94 | 2.15 | 8.12 | 2.16 | 8.66 | 2.22 | 9.04 | 2.24 |
| | 25 | 7.73 | 1.89 | 8.09 | 1.91 | 8.46 | 1.97 | 8.64 | 1.97 | 9.18 | 2.04 | 9.55 | 2.06 |
| | 22 | 7.95 | 1.81 | 8.31 | 1.84 | 8.68 | 1.89 | 8.86 | 1.89 | 9.40 | 1.96 | 9.77 | 1.98 |
| 18+18+07+05 | 46 | 6.18 | 2.43 | 6.55 | 2.47 | 6.91 | 2.50 | 7.09 | 2.52 | 7.64 | 2.57 | 8.01 | 2.61 |
| | 43 | 6.40 | 2.36 | 6.77 | 2.39 | 7.13 | 2.42 | 7.31 | 2.44 | 7.86 | 2.49 | 8.23 | 2.53 |
| | 40 | 6.62 | 2.28 | 6.99 | 2.31 | 7.35 | 2.35 | 7.54 | 2.37 | 8.08 | 2.42 | 8.45 | 2.45 |
| | 35 | 6.99 | 2.13 | 7.35 | 2.17 | 7.72 | 2.20 | 7.90 | 2.22 | 8.45 | 2.27 | 8.81 | 2.31 |
| | 32 | 7.21 | 2.07 | 7.58 | 2.10 | 7.94 | 2.15 | 8.12 | 2.16 | 8.66 | 2.22 | 9.04 | 2.24 |
| | 25 | 7.73 | 1.89 | 8.09 | 1.91 | 8.46 | 1.97 | 8.64 | 1.97 | 9.18 | 2.04 | 9.55 | 2.06 |
| | 22 | 7.95 | 1.81 | 8.31 | 1.84 | 8.68 | 1.89 | 8.86 | 1.89 | 9.40 | 1.96 | 9.77 | 1.98 |
| 10+10+10+05 | 46 | 6.18 | 2.34 | 6.55 | 2.38 | 6.91 | 2.41 | 7.09 | 2.43 | 7.64 | 2.48 | 8.01 | 2.51 |
| | 43 | 6.40 | 2.27 | 6.77 | 2.30 | 7.13 | 2.34 | 7.31 | 2.36 | 7.86 | 2.40 | 8.23 | 2.44 |
| | 40 | 6.62 | 2.20 | 6.99 | 2.23 | 7.35 | 2.26 | 7.54 | 2.28 | 8.08 | 2.33 | 8.45 | 2.36 |
| | 35 | 6.99 | 2.06 | 7.35 | 2.09 | 7.72 | 2.12 | 7.90 | 2.14 | 8.45 | 2.19 | 8.81 | 2.22 |
| | 32 | 7.21 | 2.00 | 7.58 | 2.02 | 7.94 | 2.07 | 8.12 | 2.08 | 8.66 | 2.14 | 9.04 | 2.16 |
| | 25 | 7.73 | 1.82 | 8.09 | 1.85 | 8.46 | 1.90 | 8.64 | 1.90 | 9.18 | 1.96 | 9.55 | 1.98 |
| | 22 | 7.95 | 1.75 | 8.31 | 1.77 | 8.68 | 1.82 | 8.86 | 1.82 | 9.40 | 1.89 | 9.77 | 1.91 |
| 13+10+10+05 | 46 | 6.18 | 2.41 | 6.55 | 2.44 | 6.91 | 2.48 | 7.09 | 2.50 | 7.64 | 2.55 | 8.01 | 2.59 |
| | 43 | 6.40 | 2.33 | 6.77 | 2.37 | 7.13 | 2.40 | 7.31 | 2.42 | 7.86 | 2.47 | 8.23 | 2.51 |
| | 40 | 6.62 | 2.26 | 6.99 | 2.29 | 7.35 | 2.33 | 7.54 | 2.34 | 8.08 | 2.40 | 8.45 | 2.43 |
| | 35 | 6.99 | 2.11 | 7.35 | 2.15 | 7.72 | 2.18 | 7.90 | 2.20 | 8.45 | 2.25 | 8.81 | 2.29 |
| | 32 | 7.21 | 2.05 | 7.58 | 2.08 | 7.94 | 2.13 | 8.12 | 2.14 | 8.66 | 2.20 | 9.04 | 2.22 |
| | 25 | 7.73 | 1.87 | 8.09 | 1.90 | 8.46 | 1.95 | 8.64 | 1.95 | 9.18 | 2.02 | 9.55 | 2.04 |
| | 22 | 7.95 | 1.80 | 8.31 | 1.82 | 8.68 | 1.88 | 8.86 | 1.88 | 9.40 | 1.94 | 9.77 | 1.96 |
| 16+10+10+05 | 46 | 6.18 | 2.41 | 6.55 | 2.44 | 6.91 | 2.48 | 7.09 | 2.50 | 7.64 | 2.55 | 8.01 | 2.59 |
| | 43 | 6.40 | 2.33 | 6.77 | 2.37 | 7.13 | 2.40 | 7.31 | 2.42 | 7.86 | 2.47 | 8.23 | 2.51 |
| | 40 | 6.62 | 2.26 | 6.99 | 2.29 | 7.35 | 2.33 | 7.54 | 2.34 | 8.08 | 2.40 | 8.45 | 2.43 |
| | 35 | 6.99 | 2.11 | 7.35 | 2.15 | 7.72 | 2.18 | 7.90 | 2.20 | 8.45 | 2.25 | 8.81 | 2.29 |
| | 32 | 7.21 | 2.05 | 7.58 | 2.08 | 7.94 | 2.13 | 8.12 | 2.14 | 8.66 | 2.20 | 9.04 | 2.22 |
| | 25 | 7.73 | 1.87 | 8.09 | 1.90 | 8.46 | 1.95 | 8.64 | 1.95 | 9.18 | 2.02 | 9.55 | 2.04 |
| | 22 | 7.95 | 1.80 | 8.31 | 1.82 | 8.68 | 1.88 | 8.86 | 1.88 | 9.40 | 1.94 | 9.77 | 1.96 |
| 18+10+10+05 | 46 | 6.18 | 2.41 | 6.55 | 2.44 | 6.91 | 2.48 | 7.09 | 2.50 | 7.64 | 2.55 | 8.01 | 2.59 |
| | 43 | 6.40 | 2.33 | 6.77 | 2.37 | 7.13 | 2.40 | 7.31 | 2.42 | 7.86 | 2.47 | 8.23 | 2.51 |
| | 40 | 6.62 | 2.26 | 6.99 | 2.29 | 7.35 | 2.33 | 7.54 | 2.34 | 8.08 | 2.40 | 8.45 | 2.43 |
| | 35 | 6.99 | 2.11 | 7.35 | 2.15 | 7.72 | 2.18 | 7.90 | 2.20 | 8.45 | 2.25 | 8.81 | 2.29 |
| | 32 | 7.21 | 2.05 | 7.58 | 2.08 | 7.94 | 2.13 | 8.12 | 2.14 | 8.66 | 2.20 | 9.04 | 2.22 |
| | 25 | 7.73 | 1.87 | 8.09 | 1.90 | 8.46 | 1.95 | 8.64 | 1.95 | 9.18 | 2.02 | 9.55 | 2.04 |
| | 22 | 7.95 | 1.80 | 8.31 | 1.82 | 8.68 | 1.88 | 8.86 | 1.88 | 9.40 | 1.94 | 9.77 | 1.96 |

Cooling

4 - rooms multisplit : 4 - unit operation

Indoor units : 13 type + 13 type + 10 type + 05 type 18 type + 16 type + 10 type + 05 type
 16 type + 13 type + 10 type + 05 type 18 type + 18 type + 10 type + 05 type
 18 type + 13 type + 10 type + 05 type 13 type + 13 type + 13 type + 05 type
 16 type + 16 type + 10 type + 05 type 16 type + 13 type + 13 type + 05 type

Outdoor unit : RAS-4M27U2AVG-E

| Combination (Capacity) | Outdoor air temp. [°C DB] | Indoor air temp. [°C WB] | | | | | | | | | | | |
|---------------------------|---------------------------------|--------------------------|------------|------------|------------|------------|------------|------------|------------|------------|------------|------------|------------|
| | | 14 | | 16 | | 18 | | 19 | | 22 | | 24 | |
| | | TC [kW] | PI [kW] | TC [kW] | PI [kW] | TC [kW] | PI [kW] | TC [kW] | PI [kW] | TC [kW] | PI [kW] | TC [kW] | PI [kW] |
| 13+13+10+05 | 46 | 6.18 | 2.41 | 6.55 | 2.44 | 6.91 | 2.48 | 7.09 | 2.50 | 7.64 | 2.55 | 8.01 | 2.59 |
| | 43 | 6.40 | 2.33 | 6.77 | 2.37 | 7.13 | 2.40 | 7.31 | 2.42 | 7.86 | 2.47 | 8.23 | 2.51 |
| | 40 | 6.62 | 2.26 | 6.99 | 2.29 | 7.35 | 2.33 | 7.54 | 2.34 | 8.08 | 2.40 | 8.45 | 2.43 |
| | 35 | 6.99 | 2.11 | 7.35 | 2.15 | 7.72 | 2.18 | 7.90 | 2.20 | 8.45 | 2.25 | 8.81 | 2.29 |
| | 32 | 7.21 | 2.05 | 7.58 | 2.08 | 7.94 | 2.13 | 8.12 | 2.14 | 8.66 | 2.20 | 9.04 | 2.22 |
| | 25 | 7.73 | 1.87 | 8.09 | 1.90 | 8.46 | 1.95 | 8.64 | 1.95 | 9.18 | 2.02 | 9.55 | 2.04 |
| | 22 | 7.95 | 1.80 | 8.31 | 1.82 | 8.68 | 1.88 | 8.86 | 1.88 | 9.40 | 1.94 | 9.77 | 1.96 |
| 16+13+10+05 | 46 | 6.18 | 2.41 | 6.55 | 2.44 | 6.91 | 2.48 | 7.09 | 2.50 | 7.64 | 2.55 | 8.01 | 2.59 |
| | 43 | 6.40 | 2.33 | 6.77 | 2.37 | 7.13 | 2.40 | 7.31 | 2.42 | 7.86 | 2.47 | 8.23 | 2.51 |
| | 40 | 6.62 | 2.26 | 6.99 | 2.29 | 7.35 | 2.33 | 7.54 | 2.34 | 8.08 | 2.40 | 8.45 | 2.43 |
| | 35 | 6.99 | 2.11 | 7.35 | 2.15 | 7.72 | 2.18 | 7.90 | 2.20 | 8.45 | 2.25 | 8.81 | 2.29 |
| | 32 | 7.21 | 2.05 | 7.58 | 2.08 | 7.94 | 2.13 | 8.12 | 2.14 | 8.66 | 2.20 | 9.04 | 2.22 |
| | 25 | 7.73 | 1.87 | 8.09 | 1.90 | 8.46 | 1.95 | 8.64 | 1.95 | 9.18 | 2.02 | 9.55 | 2.04 |
| | 22 | 7.95 | 1.80 | 8.31 | 1.82 | 8.68 | 1.88 | 8.86 | 1.88 | 9.40 | 1.94 | 9.77 | 1.96 |
| 18+13+10+05 | 46 | 6.18 | 2.41 | 6.55 | 2.44 | 6.91 | 2.48 | 7.09 | 2.50 | 7.64 | 2.55 | 8.01 | 2.59 |
| | 43 | 6.40 | 2.33 | 6.77 | 2.37 | 7.13 | 2.40 | 7.31 | 2.42 | 7.86 | 2.47 | 8.23 | 2.51 |
| | 40 | 6.62 | 2.26 | 6.99 | 2.29 | 7.35 | 2.33 | 7.54 | 2.34 | 8.08 | 2.40 | 8.45 | 2.43 |
| | 35 | 6.99 | 2.11 | 7.35 | 2.15 | 7.72 | 2.18 | 7.90 | 2.20 | 8.45 | 2.25 | 8.81 | 2.29 |
| | 32 | 7.21 | 2.05 | 7.58 | 2.08 | 7.94 | 2.13 | 8.12 | 2.14 | 8.66 | 2.20 | 9.04 | 2.22 |
| | 25 | 7.73 | 1.87 | 8.09 | 1.90 | 8.46 | 1.95 | 8.64 | 1.95 | 9.18 | 2.02 | 9.55 | 2.04 |
| | 22 | 7.95 | 1.80 | 8.31 | 1.82 | 8.68 | 1.88 | 8.86 | 1.88 | 9.40 | 1.94 | 9.77 | 1.96 |
| 16+16+10+05 | 46 | 6.18 | 2.41 | 6.55 | 2.44 | 6.91 | 2.48 | 7.09 | 2.50 | 7.64 | 2.55 | 8.01 | 2.59 |
| | 43 | 6.40 | 2.33 | 6.77 | 2.37 | 7.13 | 2.40 | 7.31 | 2.42 | 7.86 | 2.47 | 8.23 | 2.51 |
| | 40 | 6.62 | 2.26 | 6.99 | 2.29 | 7.35 | 2.33 | 7.54 | 2.34 | 8.08 | 2.40 | 8.45 | 2.43 |
| | 35 | 6.99 | 2.11 | 7.35 | 2.15 | 7.72 | 2.18 | 7.90 | 2.20 | 8.45 | 2.25 | 8.81 | 2.29 |
| | 32 | 7.21 | 2.05 | 7.58 | 2.08 | 7.94 | 2.13 | 8.12 | 2.14 | 8.66 | 2.20 | 9.04 | 2.22 |
| | 25 | 7.73 | 1.87 | 8.09 | 1.90 | 8.46 | 1.95 | 8.64 | 1.95 | 9.18 | 2.02 | 9.55 | 2.04 |
| | 22 | 7.95 | 1.80 | 8.31 | 1.82 | 8.68 | 1.88 | 8.86 | 1.88 | 9.40 | 1.94 | 9.77 | 1.96 |
| 18+16+10+05 | 46 | 6.18 | 2.41 | 6.55 | 2.44 | 6.91 | 2.48 | 7.09 | 2.50 | 7.64 | 2.55 | 8.01 | 2.59 |
| | 43 | 6.40 | 2.33 | 6.77 | 2.37 | 7.13 | 2.40 | 7.31 | 2.42 | 7.86 | 2.47 | 8.23 | 2.51 |
| | 40 | 6.62 | 2.26 | 6.99 | 2.29 | 7.35 | 2.33 | 7.54 | 2.34 | 8.08 | 2.40 | 8.45 | 2.43 |
| | 35 | 6.99 | 2.11 | 7.35 | 2.15 | 7.72 | 2.18 | 7.90 | 2.20 | 8.45 | 2.25 | 8.81 | 2.29 |
| | 32 | 7.21 | 2.05 | 7.58 | 2.08 | 7.94 | 2.13 | 8.12 | 2.14 | 8.66 | 2.20 | 9.04 | 2.22 |
| | 25 | 7.73 | 1.87 | 8.09 | 1.90 | 8.46 | 1.95 | 8.64 | 1.95 | 9.18 | 2.02 | 9.55 | 2.04 |
| | 22 | 7.95 | 1.80 | 8.31 | 1.82 | 8.68 | 1.88 | 8.86 | 1.88 | 9.40 | 1.94 | 9.77 | 1.96 |
| 18+18+10+05 | 46 | 6.18 | 2.41 | 6.55 | 2.44 | 6.91 | 2.48 | 7.09 | 2.50 | 7.64 | 2.55 | 8.01 | 2.59 |
| | 43 | 6.40 | 2.33 | 6.77 | 2.37 | 7.13 | 2.40 | 7.31 | 2.42 | 7.86 | 2.47 | 8.23 | 2.51 |
| | 40 | 6.62 | 2.26 | 6.99 | 2.29 | 7.35 | 2.33 | 7.54 | 2.34 | 8.08 | 2.40 | 8.45 | 2.43 |
| | 35 | 6.99 | 2.11 | 7.35 | 2.15 | 7.72 | 2.18 | 7.90 | 2.20 | 8.45 | 2.25 | 8.81 | 2.29 |
| | 32 | 7.21 | 2.05 | 7.58 | 2.08 | 7.94 | 2.13 | 8.12 | 2.14 | 8.66 | 2.20 | 9.04 | 2.22 |
| | 25 | 7.73 | 1.87 | 8.09 | 1.90 | 8.46 | 1.95 | 8.64 | 1.95 | 9.18 | 2.02 | 9.55 | 2.04 |
| | 22 | 7.95 | 1.80 | 8.31 | 1.82 | 8.68 | 1.88 | 8.86 | 1.88 | 9.40 | 1.94 | 9.77 | 1.96 |
| 13+13+13+05 | 46 | 6.18 | 2.41 | 6.55 | 2.44 | 6.91 | 2.48 | 7.09 | 2.50 | 7.64 | 2.55 | 8.01 | 2.59 |
| | 43 | 6.40 | 2.33 | 6.77 | 2.37 | 7.13 | 2.40 | 7.31 | 2.42 | 7.86 | 2.47 | 8.23 | 2.51 |
| | 40 | 6.62 | 2.26 | 6.99 | 2.29 | 7.35 | 2.33 | 7.54 | 2.34 | 8.08 | 2.40 | 8.45 | 2.43 |
| | 35 | 6.99 | 2.11 | 7.35 | 2.15 | 7.72 | 2.18 | 7.90 | 2.20 | 8.45 | 2.25 | 8.81 | 2.29 |
| | 32 | 7.21 | 2.05 | 7.58 | 2.08 | 7.94 | 2.13 | 8.12 | 2.14 | 8.66 | 2.20 | 9.04 | 2.22 |
| | 25 | 7.73 | 1.87 | 8.09 | 1.90 | 8.46 | 1.95 | 8.64 | 1.95 | 9.18 | 2.02 | 9.55 | 2.04 |
| | 22 | 7.95 | 1.80 | 8.31 | 1.82 | 8.68 | 1.88 | 8.86 | 1.88 | 9.40 | 1.94 | 9.77 | 1.96 |
| 16+13+13+05 | 46 | 6.18 | 2.41 | 6.55 | 2.44 | 6.91 | 2.48 | 7.09 | 2.50 | 7.64 | 2.55 | 8.01 | 2.59 |
| | 43 | 6.40 | 2.33 | 6.77 | 2.37 | 7.13 | 2.40 | 7.31 | 2.42 | 7.86 | 2.47 | 8.23 | 2.51 |
| | 40 | 6.62 | 2.26 | 6.99 | 2.29 | 7.35 | 2.33 | 7.54 | 2.34 | 8.08 | 2.40 | 8.45 | 2.43 |
| | 35 | 6.99 | 2.11 | 7.35 | 2.15 | 7.72 | 2.18 | 7.90 | 2.20 | 8.45 | 2.25 | 8.81 | 2.29 |
| | 32 | 7.21 | 2.05 | 7.58 | 2.08 | 7.94 | 2.13 | 8.12 | 2.14 | 8.66 | 2.20 | 9.04 | 2.22 |
| | 25 | 7.73 | 1.87 | 8.09 | 1.90 | 8.46 | 1.95 | 8.64 | 1.95 | 9.18 | 2.02 | 9.55 | 2.04 |
| | 22 | 7.95 | 1.80 | 8.31 | 1.82 | 8.68 | 1.88 | 8.86 | 1.88 | 9.40 | 1.94 | 9.77 | 1.96 |

Cooling

4 - rooms multisplit : 4 - unit operation

Indoor units : 18 type + 13 type + 13 type + 05 type 10 type + 07 type + 07 type + 07 type
 16 type + 16 type + 13 type + 05 type 13 type + 07 type + 07 type + 07 type
 18 type + 16 type + 13 type + 05 type 16 type + 07 type + 07 type + 07 type
 07 type + 07 type + 07 type + 07 type 18 type + 07 type + 07 type + 07 type

Outdoor unit : RAS-4M27U2AVG-E

| Combination (Capacity) | Outdoor air temp. [°C DB] | Indoor air temp. [°C WB] | | | | | | | | | | | |
|---------------------------|---------------------------------|--------------------------|------------|------------|------------|------------|------------|------------|------------|------------|------------|------------|------------|
| | | 14 | | 16 | | 18 | | 19 | | 22 | | 24 | |
| | | TC [kW] | PI [kW] | TC [kW] | PI [kW] | TC [kW] | PI [kW] | TC [kW] | PI [kW] | TC [kW] | PI [kW] | TC [kW] | PI [kW] |
| 18+13+13+05 | 46 | 6.18 | 2.41 | 6.55 | 2.44 | 6.91 | 2.48 | 7.09 | 2.50 | 7.64 | 2.55 | 8.01 | 2.59 |
| | 43 | 6.40 | 2.33 | 6.77 | 2.37 | 7.13 | 2.40 | 7.31 | 2.42 | 7.86 | 2.47 | 8.23 | 2.51 |
| | 40 | 6.62 | 2.26 | 6.99 | 2.29 | 7.35 | 2.33 | 7.54 | 2.34 | 8.08 | 2.40 | 8.45 | 2.43 |
| | 35 | 6.99 | 2.11 | 7.35 | 2.15 | 7.72 | 2.18 | 7.90 | 2.20 | 8.45 | 2.25 | 8.81 | 2.29 |
| | 32 | 7.21 | 2.05 | 7.58 | 2.08 | 7.94 | 2.13 | 8.12 | 2.14 | 8.66 | 2.20 | 9.04 | 2.22 |
| | 25 | 7.73 | 1.87 | 8.09 | 1.90 | 8.46 | 1.95 | 8.64 | 1.95 | 9.18 | 2.02 | 9.55 | 2.04 |
| | 22 | 7.95 | 1.80 | 8.31 | 1.82 | 8.68 | 1.88 | 8.86 | 1.88 | 9.40 | 1.94 | 9.77 | 1.96 |
| 16+16+13+05 | 46 | 6.18 | 2.41 | 6.55 | 2.44 | 6.91 | 2.48 | 7.09 | 2.50 | 7.64 | 2.55 | 8.01 | 2.59 |
| | 43 | 6.40 | 2.33 | 6.77 | 2.37 | 7.13 | 2.40 | 7.31 | 2.42 | 7.86 | 2.47 | 8.23 | 2.51 |
| | 40 | 6.62 | 2.26 | 6.99 | 2.29 | 7.35 | 2.33 | 7.54 | 2.34 | 8.08 | 2.40 | 8.45 | 2.43 |
| | 35 | 6.99 | 2.11 | 7.35 | 2.15 | 7.72 | 2.18 | 7.90 | 2.20 | 8.45 | 2.25 | 8.81 | 2.29 |
| | 32 | 7.21 | 2.05 | 7.58 | 2.08 | 7.94 | 2.13 | 8.12 | 2.14 | 8.66 | 2.20 | 9.04 | 2.22 |
| | 25 | 7.73 | 1.87 | 8.09 | 1.90 | 8.46 | 1.95 | 8.64 | 1.95 | 9.18 | 2.02 | 9.55 | 2.04 |
| | 22 | 7.95 | 1.80 | 8.31 | 1.82 | 8.68 | 1.88 | 8.86 | 1.88 | 9.40 | 1.94 | 9.77 | 1.96 |
| 18+16+13+05 | 46 | 6.18 | 2.41 | 6.55 | 2.44 | 6.91 | 2.48 | 7.09 | 2.50 | 7.64 | 2.55 | 8.01 | 2.59 |
| | 43 | 6.40 | 2.33 | 6.77 | 2.37 | 7.13 | 2.40 | 7.31 | 2.42 | 7.86 | 2.47 | 8.23 | 2.51 |
| | 40 | 6.62 | 2.26 | 6.99 | 2.29 | 7.35 | 2.33 | 7.54 | 2.34 | 8.08 | 2.40 | 8.45 | 2.43 |
| | 35 | 6.99 | 2.11 | 7.35 | 2.15 | 7.72 | 2.18 | 7.90 | 2.20 | 8.45 | 2.25 | 8.81 | 2.29 |
| | 32 | 7.21 | 2.05 | 7.58 | 2.08 | 7.94 | 2.13 | 8.12 | 2.14 | 8.66 | 2.20 | 9.04 | 2.22 |
| | 25 | 7.73 | 1.87 | 8.09 | 1.90 | 8.46 | 1.95 | 8.64 | 1.95 | 9.18 | 2.02 | 9.55 | 2.04 |
| | 22 | 7.95 | 1.80 | 8.31 | 1.82 | 8.68 | 1.88 | 8.86 | 1.88 | 9.40 | 1.94 | 9.77 | 1.96 |
| 07+07+07+07 | 46 | 5.56 | 2.22 | 5.88 | 2.25 | 6.21 | 2.29 | 6.38 | 2.31 | 6.87 | 2.35 | 7.19 | 2.38 |
| | 43 | 5.75 | 2.15 | 6.08 | 2.18 | 6.41 | 2.22 | 6.57 | 2.23 | 7.06 | 2.28 | 7.39 | 2.31 |
| | 40 | 5.95 | 2.08 | 6.28 | 2.11 | 6.61 | 2.15 | 6.77 | 2.16 | 7.26 | 2.21 | 7.59 | 2.24 |
| | 35 | 6.28 | 1.95 | 6.61 | 1.98 | 6.94 | 2.01 | 7.10 | 2.03 | 7.59 | 2.08 | 7.92 | 2.11 |
| | 32 | 6.48 | 1.89 | 6.81 | 1.92 | 7.14 | 1.96 | 7.30 | 1.97 | 7.79 | 2.02 | 8.12 | 2.05 |
| | 25 | 6.94 | 1.73 | 7.27 | 1.75 | 7.60 | 1.80 | 7.76 | 1.80 | 8.25 | 1.86 | 8.58 | 1.88 |
| | 22 | 7.14 | 1.66 | 7.47 | 1.68 | 7.80 | 1.73 | 7.96 | 1.73 | 8.45 | 1.79 | 8.78 | 1.81 |
| 10+07+07+07 | 46 | 5.87 | 2.35 | 6.21 | 2.38 | 6.56 | 2.41 | 6.74 | 2.44 | 7.25 | 2.48 | 7.60 | 2.52 |
| | 43 | 6.08 | 2.27 | 6.42 | 2.31 | 6.77 | 2.34 | 6.94 | 2.36 | 7.46 | 2.41 | 7.81 | 2.44 |
| | 40 | 6.29 | 2.20 | 6.63 | 2.23 | 6.98 | 2.27 | 7.15 | 2.28 | 7.67 | 2.33 | 8.02 | 2.37 |
| | 35 | 6.63 | 2.06 | 6.98 | 2.09 | 7.33 | 2.13 | 7.50 | 2.14 | 8.02 | 2.19 | 8.36 | 2.23 |
| | 32 | 6.85 | 2.00 | 7.19 | 2.03 | 7.54 | 2.07 | 7.71 | 2.08 | 8.23 | 2.14 | 8.58 | 2.16 |
| | 25 | 7.33 | 1.83 | 7.68 | 1.85 | 8.03 | 1.90 | 8.20 | 1.90 | 8.71 | 1.97 | 9.07 | 1.99 |
| | 22 | 7.54 | 1.75 | 7.89 | 1.77 | 8.24 | 1.83 | 8.41 | 1.83 | 8.92 | 1.89 | 9.28 | 1.91 |
| 13+07+07+07 | 46 | 5.95 | 2.38 | 6.30 | 2.41 | 6.65 | 2.44 | 6.82 | 2.47 | 7.35 | 2.51 | 7.70 | 2.55 |
| | 43 | 6.16 | 2.30 | 6.51 | 2.34 | 6.86 | 2.37 | 7.04 | 2.39 | 7.56 | 2.44 | 7.91 | 2.47 |
| | 40 | 6.37 | 2.23 | 6.72 | 2.26 | 7.07 | 2.30 | 7.25 | 2.31 | 7.77 | 2.36 | 8.13 | 2.40 |
| | 35 | 6.72 | 2.09 | 7.07 | 2.12 | 7.42 | 2.15 | 7.60 | 2.17 | 8.13 | 2.22 | 8.48 | 2.26 |
| | 32 | 6.94 | 2.03 | 7.29 | 2.05 | 7.64 | 2.10 | 7.82 | 2.11 | 8.34 | 2.17 | 8.69 | 2.19 |
| | 25 | 7.43 | 1.85 | 7.78 | 1.87 | 8.14 | 1.93 | 8.31 | 1.93 | 8.83 | 1.99 | 9.19 | 2.01 |
| | 22 | 7.64 | 1.77 | 8.00 | 1.80 | 8.35 | 1.85 | 8.52 | 1.85 | 9.04 | 1.92 | 9.40 | 1.94 |
| 16+07+07+07 | 46 | 6.02 | 2.41 | 6.38 | 2.44 | 6.74 | 2.48 | 6.91 | 2.50 | 7.45 | 2.55 | 7.80 | 2.59 |
| | 43 | 6.24 | 2.33 | 6.60 | 2.37 | 6.95 | 2.40 | 7.13 | 2.42 | 7.66 | 2.47 | 8.02 | 2.51 |
| | 40 | 6.45 | 2.26 | 6.81 | 2.29 | 7.17 | 2.33 | 7.34 | 2.34 | 7.87 | 2.40 | 8.23 | 2.43 |
| | 35 | 6.81 | 2.11 | 7.17 | 2.15 | 7.52 | 2.18 | 7.70 | 2.20 | 8.23 | 2.25 | 8.59 | 2.29 |
| | 32 | 7.03 | 2.05 | 7.38 | 2.08 | 7.74 | 2.13 | 7.92 | 2.14 | 8.45 | 2.20 | 8.81 | 2.22 |
| | 25 | 7.53 | 1.87 | 7.89 | 1.90 | 8.24 | 1.95 | 8.42 | 1.95 | 8.95 | 2.02 | 9.31 | 2.04 |
| | 22 | 7.75 | 1.80 | 8.10 | 1.82 | 8.46 | 1.88 | 8.64 | 1.88 | 9.16 | 1.94 | 9.52 | 1.96 |
| 18+07+07+07 | 46 | 6.10 | 2.44 | 6.46 | 2.48 | 6.82 | 2.51 | 7.00 | 2.53 | 7.54 | 2.58 | 7.90 | 2.62 |
| | 43 | 6.32 | 2.36 | 6.68 | 2.40 | 7.04 | 2.43 | 7.22 | 2.45 | 7.76 | 2.50 | 8.12 | 2.54 |
| | 40 | 6.54 | 2.29 | 6.90 | 2.32 | 7.26 | 2.36 | 7.44 | 2.37 | 7.98 | 2.43 | 8.34 | 2.46 |
| | 35 | 6.90 | 2.14 | 7.26 | 2.18 | 7.62 | 2.21 | 7.80 | 2.23 | 8.34 | 2.28 | 8.70 | 2.32 |
| | 32 | 7.12 | 2.08 | 7.48 | 2.11 | 7.84 | 2.15 | 8.02 | 2.16 | 8.56 | 2.22 | 8.92 | 2.25 |
| | 25 | 7.63 | 1.90 | 7.99 | 1.92 | 8.35 | 1.98 | 8.53 | 1.98 | 9.06 | 2.05 | 9.43 | 2.07 |
| | 22 | 7.85 | 1.82 | 8.21 | 1.84 | 8.57 | 1.90 | 8.75 | 1.90 | 9.28 | 1.97 | 9.65 | 1.99 |

Cooling

4 - rooms multisplit : 4 - unit operation

Indoor units : 10 type + 10 type + 07 type + 07 type 13 type + 13 type + 07 type + 07 type
 13 type + 10 type + 07 type + 07 type 16 type + 13 type + 07 type + 07 type
 16 type + 10 type + 07 type + 07 type 18 type + 13 type + 07 type + 07 type
 18 type + 10 type + 07 type + 07 type 16 type + 16 type + 07 type + 07 type

Outdoor unit : RAS-4M27U2AVG-E

| Combination (Capacity) | Outdoor air temp. [°C DB] | Indoor air temp. [°C WB] | | | | | | | | | | | |
|---------------------------|---------------------------------|--------------------------|------------|------------|------------|------------|------------|------------|------------|------------|------------|------------|------------|
| | | 14 | | 16 | | 18 | | 19 | | 22 | | 24 | |
| | | TC [kW] | PI [kW] | TC [kW] | PI [kW] | TC [kW] | PI [kW] | TC [kW] | PI [kW] | TC [kW] | PI [kW] | TC [kW] | PI [kW] |
| 10+10+07+07 | 46 | 5.95 | 2.38 | 6.30 | 2.41 | 6.65 | 2.44 | 6.82 | 2.47 | 7.35 | 2.51 | 7.70 | 2.55 |
| | 43 | 6.16 | 2.30 | 6.51 | 2.34 | 6.86 | 2.37 | 7.04 | 2.39 | 7.56 | 2.44 | 7.91 | 2.47 |
| | 40 | 6.37 | 2.23 | 6.72 | 2.26 | 7.07 | 2.30 | 7.25 | 2.31 | 7.77 | 2.36 | 8.13 | 2.40 |
| | 35 | 6.72 | 2.09 | 7.07 | 2.12 | 7.42 | 2.15 | 7.60 | 2.17 | 8.13 | 2.22 | 8.48 | 2.26 |
| | 32 | 6.94 | 2.03 | 7.29 | 2.05 | 7.64 | 2.10 | 7.82 | 2.11 | 8.34 | 2.17 | 8.69 | 2.19 |
| | 25 | 7.43 | 1.85 | 7.78 | 1.87 | 8.14 | 1.93 | 8.31 | 1.93 | 8.83 | 1.99 | 9.19 | 2.01 |
| | 22 | 7.64 | 1.77 | 8.00 | 1.80 | 8.35 | 1.85 | 8.52 | 1.85 | 9.04 | 1.92 | 9.40 | 1.94 |
| 13+10+07+07 | 46 | 6.02 | 2.41 | 6.38 | 2.44 | 6.74 | 2.48 | 6.91 | 2.50 | 7.45 | 2.55 | 7.80 | 2.59 |
| | 43 | 6.24 | 2.33 | 6.60 | 2.37 | 6.95 | 2.40 | 7.13 | 2.42 | 7.66 | 2.47 | 8.02 | 2.51 |
| | 40 | 6.45 | 2.26 | 6.81 | 2.29 | 7.17 | 2.33 | 7.34 | 2.34 | 7.87 | 2.40 | 8.23 | 2.43 |
| | 35 | 6.81 | 2.11 | 7.17 | 2.15 | 7.52 | 2.18 | 7.70 | 2.20 | 8.23 | 2.25 | 8.59 | 2.29 |
| | 32 | 7.03 | 2.05 | 7.38 | 2.08 | 7.74 | 2.13 | 7.92 | 2.14 | 8.45 | 2.20 | 8.81 | 2.22 |
| | 25 | 7.53 | 1.87 | 7.89 | 1.90 | 8.24 | 1.95 | 8.42 | 1.95 | 8.95 | 2.02 | 9.31 | 2.04 |
| | 22 | 7.75 | 1.80 | 8.10 | 1.82 | 8.46 | 1.88 | 8.64 | 1.88 | 9.16 | 1.94 | 9.52 | 1.96 |
| 16+10+07+07 | 46 | 6.10 | 2.44 | 6.46 | 2.48 | 6.82 | 2.51 | 7.00 | 2.53 | 7.54 | 2.58 | 7.90 | 2.62 |
| | 43 | 6.32 | 2.36 | 6.68 | 2.40 | 7.04 | 2.43 | 7.22 | 2.45 | 7.76 | 2.50 | 8.12 | 2.54 |
| | 40 | 6.54 | 2.29 | 6.90 | 2.32 | 7.26 | 2.36 | 7.44 | 2.37 | 7.98 | 2.43 | 8.34 | 2.46 |
| | 35 | 6.90 | 2.14 | 7.26 | 2.18 | 7.62 | 2.21 | 7.80 | 2.23 | 8.34 | 2.28 | 8.70 | 2.32 |
| | 32 | 7.12 | 2.08 | 7.48 | 2.11 | 7.84 | 2.15 | 8.02 | 2.16 | 8.56 | 2.22 | 8.92 | 2.25 |
| | 25 | 7.63 | 1.90 | 7.99 | 1.92 | 8.35 | 1.98 | 8.53 | 1.98 | 9.06 | 2.05 | 9.43 | 2.07 |
| | 22 | 7.85 | 1.82 | 8.21 | 1.84 | 8.57 | 1.90 | 8.75 | 1.90 | 9.28 | 1.97 | 9.65 | 1.99 |
| 18+10+07+07 | 46 | 6.18 | 2.47 | 6.55 | 2.51 | 6.91 | 2.54 | 7.09 | 2.57 | 7.64 | 2.61 | 8.01 | 2.65 |
| | 43 | 6.40 | 2.39 | 6.77 | 2.43 | 7.13 | 2.46 | 7.31 | 2.48 | 7.86 | 2.54 | 8.23 | 2.57 |
| | 40 | 6.62 | 2.32 | 6.99 | 2.35 | 7.35 | 2.39 | 7.54 | 2.40 | 8.08 | 2.46 | 8.45 | 2.49 |
| | 35 | 6.99 | 2.17 | 7.35 | 2.20 | 7.72 | 2.24 | 7.90 | 2.26 | 8.45 | 2.31 | 8.81 | 2.34 |
| | 32 | 7.21 | 2.11 | 7.58 | 2.13 | 7.94 | 2.18 | 8.12 | 2.19 | 8.66 | 2.25 | 9.04 | 2.28 |
| | 25 | 7.73 | 1.92 | 8.09 | 1.95 | 8.46 | 2.00 | 8.64 | 2.00 | 9.18 | 2.07 | 9.55 | 2.09 |
| | 22 | 7.95 | 1.85 | 8.31 | 1.87 | 8.68 | 1.92 | 8.86 | 1.92 | 9.40 | 2.00 | 9.77 | 2.01 |
| 13+13+07+07 | 46 | 6.18 | 2.47 | 6.55 | 2.51 | 6.91 | 2.54 | 7.09 | 2.57 | 7.64 | 2.61 | 8.01 | 2.65 |
| | 43 | 6.40 | 2.39 | 6.77 | 2.43 | 7.13 | 2.46 | 7.31 | 2.48 | 7.86 | 2.54 | 8.23 | 2.57 |
| | 40 | 6.62 | 2.32 | 6.99 | 2.35 | 7.35 | 2.39 | 7.54 | 2.40 | 8.08 | 2.46 | 8.45 | 2.49 |
| | 35 | 6.99 | 2.17 | 7.35 | 2.20 | 7.72 | 2.24 | 7.90 | 2.26 | 8.45 | 2.31 | 8.81 | 2.34 |
| | 32 | 7.21 | 2.11 | 7.58 | 2.13 | 7.94 | 2.18 | 8.12 | 2.19 | 8.66 | 2.25 | 9.04 | 2.28 |
| | 25 | 7.73 | 1.92 | 8.09 | 1.95 | 8.46 | 2.00 | 8.64 | 2.00 | 9.18 | 2.07 | 9.55 | 2.09 |
| | 22 | 7.95 | 1.85 | 8.31 | 1.87 | 8.68 | 1.92 | 8.86 | 1.92 | 9.40 | 2.00 | 9.77 | 2.01 |
| 16+13+07+07 | 46 | 6.18 | 2.47 | 6.55 | 2.51 | 6.91 | 2.54 | 7.09 | 2.57 | 7.64 | 2.61 | 8.01 | 2.65 |
| | 43 | 6.40 | 2.39 | 6.77 | 2.43 | 7.13 | 2.46 | 7.31 | 2.48 | 7.86 | 2.54 | 8.23 | 2.57 |
| | 40 | 6.62 | 2.32 | 6.99 | 2.35 | 7.35 | 2.39 | 7.54 | 2.40 | 8.08 | 2.46 | 8.45 | 2.49 |
| | 35 | 6.99 | 2.17 | 7.35 | 2.20 | 7.72 | 2.24 | 7.90 | 2.26 | 8.45 | 2.31 | 8.81 | 2.34 |
| | 32 | 7.21 | 2.11 | 7.58 | 2.13 | 7.94 | 2.18 | 8.12 | 2.19 | 8.66 | 2.25 | 9.04 | 2.28 |
| | 25 | 7.73 | 1.92 | 8.09 | 1.95 | 8.46 | 2.00 | 8.64 | 2.00 | 9.18 | 2.07 | 9.55 | 2.09 |
| | 22 | 7.95 | 1.85 | 8.31 | 1.87 | 8.68 | 1.92 | 8.86 | 1.92 | 9.40 | 2.00 | 9.77 | 2.01 |
| 18+13+07+07 | 46 | 6.18 | 2.47 | 6.55 | 2.51 | 6.91 | 2.54 | 7.09 | 2.57 | 7.64 | 2.61 | 8.01 | 2.65 |
| | 43 | 6.40 | 2.39 | 6.77 | 2.43 | 7.13 | 2.46 | 7.31 | 2.48 | 7.86 | 2.54 | 8.23 | 2.57 |
| | 40 | 6.62 | 2.32 | 6.99 | 2.35 | 7.35 | 2.39 | 7.54 | 2.40 | 8.08 | 2.46 | 8.45 | 2.49 |
| | 35 | 6.99 | 2.17 | 7.35 | 2.20 | 7.72 | 2.24 | 7.90 | 2.26 | 8.45 | 2.31 | 8.81 | 2.34 |
| | 32 | 7.21 | 2.11 | 7.58 | 2.13 | 7.94 | 2.18 | 8.12 | 2.19 | 8.66 | 2.25 | 9.04 | 2.28 |
| | 25 | 7.73 | 1.92 | 8.09 | 1.95 | 8.46 | 2.00 | 8.64 | 2.00 | 9.18 | 2.07 | 9.55 | 2.09 |
| | 22 | 7.95 | 1.85 | 8.31 | 1.87 | 8.68 | 1.92 | 8.86 | 1.92 | 9.40 | 2.00 | 9.77 | 2.01 |
| 16+16+07+07 | 46 | 6.18 | 2.47 | 6.55 | 2.51 | 6.91 | 2.54 | 7.09 | 2.57 | 7.64 | 2.61 | 8.01 | 2.65 |
| | 43 | 6.40 | 2.39 | 6.77 | 2.43 | 7.13 | 2.46 | 7.31 | 2.48 | 7.86 | 2.54 | 8.23 | 2.57 |
| | 40 | 6.62 | 2.32 | 6.99 | 2.35 | 7.35 | 2.39 | 7.54 | 2.40 | 8.08 | 2.46 | 8.45 | 2.49 |
| | 35 | 6.99 | 2.17 | 7.35 | 2.20 | 7.72 | 2.24 | 7.90 | 2.26 | 8.45 | 2.31 | 8.81 | 2.34 |
| | 32 | 7.21 | 2.11 | 7.58 | 2.13 | 7.94 | 2.18 | 8.12 | 2.19 | 8.66 | 2.25 | 9.04 | 2.28 |
| | 25 | 7.73 | 1.92 | 8.09 | 1.95 | 8.46 | 2.00 | 8.64 | 2.00 | 9.18 | 2.07 | 9.55 | 2.09 |
| | 22 | 7.95 | 1.85 | 8.31 | 1.87 | 8.68 | 1.92 | 8.86 | 1.92 | 9.40 | 2.00 | 9.77 | 2.01 |

Cooling

4 - rooms multisplit : 4 - unit operation

Indoor units : 18 type + 16 type + 07 type + 07 type 16 type + 10 type + 10 type + 07 type
 18 type + 18 type + 07 type + 07 type 18 type + 10 type + 10 type + 07 type
 10 type + 10 type + 10 type + 07 type 13 type + 13 type + 10 type + 07 type
 13 type + 10 type + 10 type + 07 type 16 type + 13 type + 10 type + 07 type

Outdoor unit : RAS-4M27U2AVG-E

| Combination (Capacity) | Outdoor air temp. [°C DB] | Indoor air temp. [°C WB] | | | | | | | | | | | |
|---------------------------|---------------------------------|--------------------------|------------|------------|------------|------------|------------|------------|------------|------------|------------|------------|------------|
| | | 14 | | 16 | | 18 | | 19 | | 22 | | 24 | |
| | | TC [kW] | PI [kW] | TC [kW] | PI [kW] | TC [kW] | PI [kW] | TC [kW] | PI [kW] | TC [kW] | PI [kW] | TC [kW] | PI [kW] |
| 18+16+07+07 | 46 | 6.18 | 2.47 | 6.55 | 2.51 | 6.91 | 2.54 | 7.09 | 2.57 | 7.64 | 2.61 | 8.01 | 2.65 |
| | 43 | 6.40 | 2.39 | 6.77 | 2.43 | 7.13 | 2.46 | 7.31 | 2.48 | 7.86 | 2.54 | 8.23 | 2.57 |
| | 40 | 6.62 | 2.32 | 6.99 | 2.35 | 7.35 | 2.39 | 7.54 | 2.40 | 8.08 | 2.46 | 8.45 | 2.49 |
| | 35 | 6.99 | 2.17 | 7.35 | 2.20 | 7.72 | 2.24 | 7.90 | 2.26 | 8.45 | 2.31 | 8.81 | 2.34 |
| | 32 | 7.21 | 2.11 | 7.58 | 2.13 | 7.94 | 2.18 | 8.12 | 2.19 | 8.66 | 2.25 | 9.04 | 2.28 |
| | 25 | 7.73 | 1.92 | 8.09 | 1.95 | 8.46 | 2.00 | 8.64 | 2.00 | 9.18 | 2.07 | 9.55 | 2.09 |
| | 22 | 7.95 | 1.85 | 8.31 | 1.87 | 8.68 | 1.92 | 8.86 | 1.92 | 9.40 | 2.00 | 9.77 | 2.01 |
| 18+18+07+07 | 46 | 6.18 | 2.47 | 6.55 | 2.51 | 6.91 | 2.54 | 7.09 | 2.57 | 7.64 | 2.61 | 8.01 | 2.65 |
| | 43 | 6.40 | 2.39 | 6.77 | 2.43 | 7.13 | 2.46 | 7.31 | 2.48 | 7.86 | 2.54 | 8.23 | 2.57 |
| | 40 | 6.62 | 2.32 | 6.99 | 2.35 | 7.35 | 2.39 | 7.54 | 2.40 | 8.08 | 2.46 | 8.45 | 2.49 |
| | 35 | 6.99 | 2.17 | 7.35 | 2.20 | 7.72 | 2.24 | 7.90 | 2.26 | 8.45 | 2.31 | 8.81 | 2.34 |
| | 32 | 7.21 | 2.11 | 7.58 | 2.13 | 7.94 | 2.18 | 8.12 | 2.19 | 8.66 | 2.25 | 9.04 | 2.28 |
| | 25 | 7.73 | 1.92 | 8.09 | 1.95 | 8.46 | 2.00 | 8.64 | 2.00 | 9.18 | 2.07 | 9.55 | 2.09 |
| | 22 | 7.95 | 1.85 | 8.31 | 1.87 | 8.68 | 1.92 | 8.86 | 1.92 | 9.40 | 2.00 | 9.77 | 2.01 |
| 10+10+10+07 | 46 | 5.95 | 2.38 | 6.30 | 2.41 | 6.65 | 2.44 | 6.82 | 2.47 | 7.35 | 2.51 | 7.70 | 2.55 |
| | 43 | 6.16 | 2.30 | 6.51 | 2.34 | 6.86 | 2.37 | 7.04 | 2.39 | 7.56 | 2.44 | 7.91 | 2.47 |
| | 40 | 6.37 | 2.23 | 6.72 | 2.26 | 7.07 | 2.30 | 7.25 | 2.31 | 7.77 | 2.36 | 8.13 | 2.40 |
| | 35 | 6.72 | 2.09 | 7.07 | 2.12 | 7.42 | 2.15 | 7.60 | 2.17 | 8.13 | 2.22 | 8.48 | 2.26 |
| | 32 | 6.94 | 2.03 | 7.29 | 2.05 | 7.64 | 2.10 | 7.82 | 2.11 | 8.34 | 2.17 | 8.69 | 2.19 |
| | 25 | 7.43 | 1.85 | 7.78 | 1.87 | 8.14 | 1.93 | 8.31 | 1.93 | 8.83 | 1.99 | 9.19 | 2.01 |
| | 22 | 7.64 | 1.77 | 8.00 | 1.80 | 8.35 | 1.85 | 8.52 | 1.85 | 9.04 | 1.92 | 9.40 | 1.94 |
| 13+10+10+07 | 46 | 6.10 | 2.44 | 6.46 | 2.48 | 6.82 | 2.51 | 7.00 | 2.53 | 7.54 | 2.58 | 7.90 | 2.62 |
| | 43 | 6.32 | 2.36 | 6.68 | 2.40 | 7.04 | 2.43 | 7.22 | 2.45 | 7.76 | 2.50 | 8.12 | 2.54 |
| | 40 | 6.54 | 2.29 | 6.90 | 2.32 | 7.26 | 2.36 | 7.44 | 2.37 | 7.98 | 2.43 | 8.34 | 2.46 |
| | 35 | 6.90 | 2.14 | 7.26 | 2.18 | 7.62 | 2.21 | 7.80 | 2.23 | 8.34 | 2.28 | 8.70 | 2.32 |
| | 32 | 7.12 | 2.08 | 7.48 | 2.11 | 7.84 | 2.15 | 8.02 | 2.16 | 8.56 | 2.22 | 8.92 | 2.25 |
| | 25 | 7.63 | 1.90 | 7.99 | 1.92 | 8.35 | 1.98 | 8.53 | 1.98 | 9.06 | 2.05 | 9.43 | 2.07 |
| | 22 | 7.85 | 1.82 | 8.21 | 1.84 | 8.57 | 1.90 | 8.75 | 1.90 | 9.28 | 1.97 | 9.65 | 1.99 |
| 16+10+10+07 | 46 | 6.18 | 2.47 | 6.55 | 2.51 | 6.91 | 2.54 | 7.09 | 2.57 | 7.64 | 2.61 | 8.01 | 2.65 |
| | 43 | 6.40 | 2.39 | 6.77 | 2.43 | 7.13 | 2.46 | 7.31 | 2.48 | 7.86 | 2.54 | 8.23 | 2.57 |
| | 40 | 6.62 | 2.32 | 6.99 | 2.35 | 7.35 | 2.39 | 7.54 | 2.40 | 8.08 | 2.46 | 8.45 | 2.49 |
| | 35 | 6.99 | 2.17 | 7.35 | 2.20 | 7.72 | 2.24 | 7.90 | 2.26 | 8.45 | 2.31 | 8.81 | 2.34 |
| | 32 | 7.21 | 2.11 | 7.58 | 2.13 | 7.94 | 2.18 | 8.12 | 2.19 | 8.66 | 2.25 | 9.04 | 2.28 |
| | 25 | 7.73 | 1.92 | 8.09 | 1.95 | 8.46 | 2.00 | 8.64 | 2.00 | 9.18 | 2.07 | 9.55 | 2.09 |
| | 22 | 7.95 | 1.85 | 8.31 | 1.87 | 8.68 | 1.92 | 8.86 | 1.92 | 9.40 | 2.00 | 9.77 | 2.01 |
| 18+10+10+07 | 46 | 6.18 | 2.47 | 6.55 | 2.51 | 6.91 | 2.54 | 7.09 | 2.57 | 7.64 | 2.61 | 8.01 | 2.65 |
| | 43 | 6.40 | 2.39 | 6.77 | 2.43 | 7.13 | 2.46 | 7.31 | 2.48 | 7.86 | 2.54 | 8.23 | 2.57 |
| | 40 | 6.62 | 2.32 | 6.99 | 2.35 | 7.35 | 2.39 | 7.54 | 2.40 | 8.08 | 2.46 | 8.45 | 2.49 |
| | 35 | 6.99 | 2.17 | 7.35 | 2.20 | 7.72 | 2.24 | 7.90 | 2.26 | 8.45 | 2.31 | 8.81 | 2.34 |
| | 32 | 7.21 | 2.11 | 7.58 | 2.13 | 7.94 | 2.18 | 8.12 | 2.19 | 8.66 | 2.25 | 9.04 | 2.28 |
| | 25 | 7.73 | 1.92 | 8.09 | 1.95 | 8.46 | 2.00 | 8.64 | 2.00 | 9.18 | 2.07 | 9.55 | 2.09 |
| | 22 | 7.95 | 1.85 | 8.31 | 1.87 | 8.68 | 1.92 | 8.86 | 1.92 | 9.40 | 2.00 | 9.77 | 2.01 |
| 13+13+10+07 | 46 | 6.18 | 2.47 | 6.55 | 2.51 | 6.91 | 2.54 | 7.09 | 2.57 | 7.64 | 2.61 | 8.01 | 2.65 |
| | 43 | 6.40 | 2.39 | 6.77 | 2.43 | 7.13 | 2.46 | 7.31 | 2.48 | 7.86 | 2.54 | 8.23 | 2.57 |
| | 40 | 6.62 | 2.32 | 6.99 | 2.35 | 7.35 | 2.39 | 7.54 | 2.40 | 8.08 | 2.46 | 8.45 | 2.49 |
| | 35 | 6.99 | 2.17 | 7.35 | 2.20 | 7.72 | 2.24 | 7.90 | 2.26 | 8.45 | 2.31 | 8.81 | 2.34 |
| | 32 | 7.21 | 2.11 | 7.58 | 2.13 | 7.94 | 2.18 | 8.12 | 2.19 | 8.66 | 2.25 | 9.04 | 2.28 |
| | 25 | 7.73 | 1.92 | 8.09 | 1.95 | 8.46 | 2.00 | 8.64 | 2.00 | 9.18 | 2.07 | 9.55 | 2.09 |
| | 22 | 7.95 | 1.85 | 8.31 | 1.87 | 8.68 | 1.92 | 8.86 | 1.92 | 9.40 | 2.00 | 9.77 | 2.01 |
| 16+13+10+07 | 46 | 6.18 | 2.47 | 6.55 | 2.51 | 6.91 | 2.54 | 7.09 | 2.57 | 7.64 | 2.61 | 8.01 | 2.65 |
| | 43 | 6.40 | 2.39 | 6.77 | 2.43 | 7.13 | 2.46 | 7.31 | 2.48 | 7.86 | 2.54 | 8.23 | 2.57 |
| | 40 | 6.62 | 2.32 | 6.99 | 2.35 | 7.35 | 2.39 | 7.54 | 2.40 | 8.08 | 2.46 | 8.45 | 2.49 |
| | 35 | 6.99 | 2.17 | 7.35 | 2.20 | 7.72 | 2.24 | 7.90 | 2.26 | 8.45 | 2.31 | 8.81 | 2.34 |
| | 32 | 7.21 | 2.11 | 7.58 | 2.13 | 7.94 | 2.18 | 8.12 | 2.19 | 8.66 | 2.25 | 9.04 | 2.28 |
| | 25 | 7.73 | 1.92 | 8.09 | 1.95 | 8.46 | 2.00 | 8.64 | 2.00 | 9.18 | 2.07 | 9.55 | 2.09 |
| | 22 | 7.95 | 1.85 | 8.31 | 1.87 | 8.68 | 1.92 | 8.86 | 1.92 | 9.40 | 2.00 | 9.77 | 2.01 |

Cooling

4 - rooms multisplit : 4 - unit operation

Indoor units : 18 type + 13 type + 10 type + 07 type 13 type + 13 type + 13 type + 07 type
 16 type + 16 type + 10 type + 07 type 16 type + 13 type + 13 type + 07 type
 18 type + 16 type + 10 type + 07 type 18 type + 13 type + 13 type + 07 type
 18 type + 18 type + 10 type + 07 type 16 type + 16 type + 13 type + 07 type

Outdoor unit : RAS-4M27U2AVG-E

| Combination (Capacity) | Outdoor air temp. [°C DB] | Indoor air temp. [°C WB] | | | | | | | | | | | |
|---------------------------|---------------------------------|--------------------------|------------|------------|------------|------------|------------|------------|------------|------------|------------|------------|------------|
| | | 14 | | 16 | | 18 | | 19 | | 22 | | 24 | |
| | | TC [kW] | PI [kW] | TC [kW] | PI [kW] | TC [kW] | PI [kW] | TC [kW] | PI [kW] | TC [kW] | PI [kW] | TC [kW] | PI [kW] |
| 18+13+10+07 | 46 | 6.18 | 2.47 | 6.55 | 2.51 | 6.91 | 2.54 | 7.09 | 2.57 | 7.64 | 2.61 | 8.01 | 2.65 |
| | 43 | 6.40 | 2.39 | 6.77 | 2.43 | 7.13 | 2.46 | 7.31 | 2.48 | 7.86 | 2.54 | 8.23 | 2.57 |
| | 40 | 6.62 | 2.32 | 6.99 | 2.35 | 7.35 | 2.39 | 7.54 | 2.40 | 8.08 | 2.46 | 8.45 | 2.49 |
| | 35 | 6.99 | 2.17 | 7.35 | 2.20 | 7.72 | 2.24 | 7.90 | 2.26 | 8.45 | 2.31 | 8.81 | 2.34 |
| | 32 | 7.21 | 2.11 | 7.58 | 2.13 | 7.94 | 2.18 | 8.12 | 2.19 | 8.66 | 2.25 | 9.04 | 2.28 |
| | 25 | 7.73 | 1.92 | 8.09 | 1.95 | 8.46 | 2.00 | 8.64 | 2.00 | 9.18 | 2.07 | 9.55 | 2.09 |
| | 22 | 7.95 | 1.85 | 8.31 | 1.87 | 8.68 | 1.92 | 8.86 | 1.92 | 9.40 | 2.00 | 9.77 | 2.01 |
| 16+16+10+07 | 46 | 6.18 | 2.47 | 6.55 | 2.51 | 6.91 | 2.54 | 7.09 | 2.57 | 7.64 | 2.61 | 8.01 | 2.65 |
| | 43 | 6.40 | 2.39 | 6.77 | 2.43 | 7.13 | 2.46 | 7.31 | 2.48 | 7.86 | 2.54 | 8.23 | 2.57 |
| | 40 | 6.62 | 2.32 | 6.99 | 2.35 | 7.35 | 2.39 | 7.54 | 2.40 | 8.08 | 2.46 | 8.45 | 2.49 |
| | 35 | 6.99 | 2.17 | 7.35 | 2.20 | 7.72 | 2.24 | 7.90 | 2.26 | 8.45 | 2.31 | 8.81 | 2.34 |
| | 32 | 7.21 | 2.11 | 7.58 | 2.13 | 7.94 | 2.18 | 8.12 | 2.19 | 8.66 | 2.25 | 9.04 | 2.28 |
| | 25 | 7.73 | 1.92 | 8.09 | 1.95 | 8.46 | 2.00 | 8.64 | 2.00 | 9.18 | 2.07 | 9.55 | 2.09 |
| | 22 | 7.95 | 1.85 | 8.31 | 1.87 | 8.68 | 1.92 | 8.86 | 1.92 | 9.40 | 2.00 | 9.77 | 2.01 |
| 18+16+10+07 | 46 | 6.18 | 2.47 | 6.55 | 2.51 | 6.91 | 2.54 | 7.09 | 2.57 | 7.64 | 2.61 | 8.01 | 2.65 |
| | 43 | 6.40 | 2.39 | 6.77 | 2.43 | 7.13 | 2.46 | 7.31 | 2.48 | 7.86 | 2.54 | 8.23 | 2.57 |
| | 40 | 6.62 | 2.32 | 6.99 | 2.35 | 7.35 | 2.39 | 7.54 | 2.40 | 8.08 | 2.46 | 8.45 | 2.49 |
| | 35 | 6.99 | 2.17 | 7.35 | 2.20 | 7.72 | 2.24 | 7.90 | 2.26 | 8.45 | 2.31 | 8.81 | 2.34 |
| | 32 | 7.21 | 2.11 | 7.58 | 2.13 | 7.94 | 2.18 | 8.12 | 2.19 | 8.66 | 2.25 | 9.04 | 2.28 |
| | 25 | 7.73 | 1.92 | 8.09 | 1.95 | 8.46 | 2.00 | 8.64 | 2.00 | 9.18 | 2.07 | 9.55 | 2.09 |
| | 22 | 7.95 | 1.85 | 8.31 | 1.87 | 8.68 | 1.92 | 8.86 | 1.92 | 9.40 | 2.00 | 9.77 | 2.01 |
| 18+18+10+07 | 46 | 6.26 | 2.50 | 6.63 | 2.54 | 7.00 | 2.57 | 7.18 | 2.60 | 7.74 | 2.65 | 8.11 | 2.69 |
| | 43 | 6.48 | 2.43 | 6.85 | 2.46 | 7.22 | 2.50 | 7.41 | 2.52 | 7.96 | 2.57 | 8.33 | 2.61 |
| | 40 | 6.71 | 2.35 | 7.08 | 2.38 | 7.44 | 2.42 | 7.63 | 2.44 | 8.18 | 2.49 | 8.55 | 2.52 |
| | 35 | 7.08 | 2.20 | 7.44 | 2.23 | 7.81 | 2.27 | 8.00 | 2.29 | 8.55 | 2.34 | 8.92 | 2.37 |
| | 32 | 7.30 | 2.13 | 7.67 | 2.16 | 8.04 | 2.21 | 8.23 | 2.22 | 8.77 | 2.28 | 9.15 | 2.31 |
| | 25 | 7.82 | 1.95 | 8.19 | 1.97 | 8.56 | 2.03 | 8.75 | 2.03 | 9.29 | 2.10 | 9.67 | 2.12 |
| | 22 | 8.05 | 1.87 | 8.42 | 1.89 | 8.79 | 1.95 | 8.97 | 1.95 | 9.52 | 2.02 | 9.89 | 2.04 |
| 13+13+13+07 | 46 | 6.18 | 2.47 | 6.55 | 2.51 | 6.91 | 2.54 | 7.09 | 2.57 | 7.64 | 2.61 | 8.01 | 2.65 |
| | 43 | 6.40 | 2.39 | 6.77 | 2.43 | 7.13 | 2.46 | 7.31 | 2.48 | 7.86 | 2.54 | 8.23 | 2.57 |
| | 40 | 6.62 | 2.32 | 6.99 | 2.35 | 7.35 | 2.39 | 7.54 | 2.40 | 8.08 | 2.46 | 8.45 | 2.49 |
| | 35 | 6.99 | 2.17 | 7.35 | 2.20 | 7.72 | 2.24 | 7.90 | 2.26 | 8.45 | 2.31 | 8.81 | 2.34 |
| | 32 | 7.21 | 2.11 | 7.58 | 2.13 | 7.94 | 2.18 | 8.12 | 2.19 | 8.66 | 2.25 | 9.04 | 2.28 |
| | 25 | 7.73 | 1.92 | 8.09 | 1.95 | 8.46 | 2.00 | 8.64 | 2.00 | 9.18 | 2.07 | 9.55 | 2.09 |
| | 22 | 7.95 | 1.85 | 8.31 | 1.87 | 8.68 | 1.92 | 8.86 | 1.92 | 9.40 | 2.00 | 9.77 | 2.01 |
| 16+13+13+07 | 46 | 6.18 | 2.47 | 6.55 | 2.51 | 6.91 | 2.54 | 7.09 | 2.57 | 7.64 | 2.61 | 8.01 | 2.65 |
| | 43 | 6.40 | 2.39 | 6.77 | 2.43 | 7.13 | 2.46 | 7.31 | 2.48 | 7.86 | 2.54 | 8.23 | 2.57 |
| | 40 | 6.62 | 2.32 | 6.99 | 2.35 | 7.35 | 2.39 | 7.54 | 2.40 | 8.08 | 2.46 | 8.45 | 2.49 |
| | 35 | 6.99 | 2.17 | 7.35 | 2.20 | 7.72 | 2.24 | 7.90 | 2.26 | 8.45 | 2.31 | 8.81 | 2.34 |
| | 32 | 7.21 | 2.11 | 7.58 | 2.13 | 7.94 | 2.18 | 8.12 | 2.19 | 8.66 | 2.25 | 9.04 | 2.28 |
| | 25 | 7.73 | 1.92 | 8.09 | 1.95 | 8.46 | 2.00 | 8.64 | 2.00 | 9.18 | 2.07 | 9.55 | 2.09 |
| | 22 | 7.95 | 1.85 | 8.31 | 1.87 | 8.68 | 1.92 | 8.86 | 1.92 | 9.40 | 2.00 | 9.77 | 2.01 |
| 18+13+13+07 | 46 | 6.18 | 2.47 | 6.55 | 2.51 | 6.91 | 2.54 | 7.09 | 2.57 | 7.64 | 2.61 | 8.01 | 2.65 |
| | 43 | 6.40 | 2.39 | 6.77 | 2.43 | 7.13 | 2.46 | 7.31 | 2.48 | 7.86 | 2.54 | 8.23 | 2.57 |
| | 40 | 6.62 | 2.32 | 6.99 | 2.35 | 7.35 | 2.39 | 7.54 | 2.40 | 8.08 | 2.46 | 8.45 | 2.49 |
| | 35 | 6.99 | 2.17 | 7.35 | 2.20 | 7.72 | 2.24 | 7.90 | 2.26 | 8.45 | 2.31 | 8.81 | 2.34 |
| | 32 | 7.21 | 2.11 | 7.58 | 2.13 | 7.94 | 2.18 | 8.12 | 2.19 | 8.66 | 2.25 | 9.04 | 2.28 |
| | 25 | 7.73 | 1.92 | 8.09 | 1.95 | 8.46 | 2.00 | 8.64 | 2.00 | 9.18 | 2.07 | 9.55 | 2.09 |
| | 22 | 7.95 | 1.85 | 8.31 | 1.87 | 8.68 | 1.92 | 8.86 | 1.92 | 9.40 | 2.00 | 9.77 | 2.01 |
| 16+16+13+07 | 46 | 6.26 | 2.50 | 6.63 | 2.54 | 7.00 | 2.57 | 7.18 | 2.60 | 7.74 | 2.65 | 8.11 | 2.69 |
| | 43 | 6.48 | 2.43 | 6.85 | 2.46 | 7.22 | 2.50 | 7.41 | 2.52 | 7.96 | 2.57 | 8.33 | 2.61 |
| | 40 | 6.71 | 2.35 | 7.08 | 2.38 | 7.44 | 2.42 | 7.63 | 2.44 | 8.18 | 2.49 | 8.55 | 2.52 |
| | 35 | 7.08 | 2.20 | 7.44 | 2.23 | 7.81 | 2.27 | 8.00 | 2.29 | 8.55 | 2.34 | 8.92 | 2.37 |
| | 32 | 7.30 | 2.13 | 7.67 | 2.16 | 8.04 | 2.21 | 8.23 | 2.22 | 8.77 | 2.28 | 9.15 | 2.31 |
| | 25 | 7.82 | 1.95 | 8.19 | 1.97 | 8.56 | 2.03 | 8.75 | 2.03 | 9.29 | 2.10 | 9.67 | 2.12 |
| | 22 | 8.05 | 1.87 | 8.42 | 1.89 | 8.79 | 1.95 | 8.97 | 1.95 | 9.52 | 2.02 | 9.89 | 2.04 |

Cooling

4 - rooms multisplit : 4 - unit operation

Indoor units : 18 type + 16 type + 13 type + 07 type 18 type + 10 type + 10 type + 10 type
 10 type + 10 type + 10 type + 10 type 13 type + 13 type + 10 type + 10 type
 13 type + 10 type + 10 type + 10 type 16 type + 13 type + 10 type + 10 type
 16 type + 10 type + 10 type + 10 type 18 type + 13 type + 10 type + 10 type

Outdoor unit : RAS-4M27U2AVG-E

| Combination (Capacity) | Outdoor air temp. [°C DB] | Indoor air temp. [°C WB] | | | | | | | | | | | |
|---------------------------|---------------------------------|--------------------------|------------|------------|------------|------------|------------|------------|------------|------------|------------|------------|------------|
| | | 14 | | 16 | | 18 | | 19 | | 22 | | 24 | |
| | | TC [kW] | PI [kW] | TC [kW] | PI [kW] | TC [kW] | PI [kW] | TC [kW] | PI [kW] | TC [kW] | PI [kW] | TC [kW] | PI [kW] |
| 18+16+13+07 | 46 | 6.26 | 2.50 | 6.63 | 2.54 | 7.00 | 2.57 | 7.18 | 2.60 | 7.74 | 2.65 | 8.11 | 2.69 |
| | 43 | 6.48 | 2.43 | 6.85 | 2.46 | 7.22 | 2.50 | 7.41 | 2.52 | 7.96 | 2.57 | 8.33 | 2.61 |
| | 40 | 6.71 | 2.35 | 7.08 | 2.38 | 7.44 | 2.42 | 7.63 | 2.44 | 8.18 | 2.49 | 8.55 | 2.52 |
| | 35 | 7.08 | 2.20 | 7.44 | 2.23 | 7.81 | 2.27 | 8.00 | 2.29 | 8.55 | 2.34 | 8.92 | 2.37 |
| | 32 | 7.30 | 2.13 | 7.67 | 2.16 | 8.04 | 2.21 | 8.23 | 2.22 | 8.77 | 2.28 | 9.15 | 2.31 |
| | 25 | 7.82 | 1.95 | 8.19 | 1.97 | 8.56 | 2.03 | 8.75 | 2.03 | 9.29 | 2.10 | 9.67 | 2.12 |
| | 22 | 8.05 | 1.87 | 8.42 | 1.89 | 8.79 | 1.95 | 8.97 | 1.95 | 9.52 | 2.02 | 9.89 | 2.04 |
| 10+10+10+10 | 46 | 6.18 | 2.47 | 6.55 | 2.51 | 6.91 | 2.54 | 7.09 | 2.57 | 7.64 | 2.61 | 8.01 | 2.65 |
| | 43 | 6.40 | 2.39 | 6.77 | 2.43 | 7.13 | 2.46 | 7.31 | 2.48 | 7.86 | 2.54 | 8.23 | 2.57 |
| | 40 | 6.62 | 2.32 | 6.99 | 2.35 | 7.35 | 2.39 | 7.54 | 2.40 | 8.08 | 2.46 | 8.45 | 2.49 |
| | 35 | 6.99 | 2.17 | 7.35 | 2.20 | 7.72 | 2.24 | 7.90 | 2.26 | 8.45 | 2.31 | 8.81 | 2.34 |
| | 32 | 7.21 | 2.11 | 7.58 | 2.13 | 7.94 | 2.18 | 8.12 | 2.19 | 8.66 | 2.25 | 9.04 | 2.28 |
| | 25 | 7.73 | 1.92 | 8.09 | 1.95 | 8.46 | 2.00 | 8.64 | 2.00 | 9.18 | 2.07 | 9.55 | 2.09 |
| | 22 | 7.95 | 1.85 | 8.31 | 1.87 | 8.68 | 1.92 | 8.86 | 1.92 | 9.40 | 2.00 | 9.77 | 2.01 |
| 13+10+10+10 | 46 | 6.18 | 2.47 | 6.55 | 2.51 | 6.91 | 2.54 | 7.09 | 2.57 | 7.64 | 2.61 | 8.01 | 2.65 |
| | 43 | 6.40 | 2.39 | 6.77 | 2.43 | 7.13 | 2.46 | 7.31 | 2.48 | 7.86 | 2.54 | 8.23 | 2.57 |
| | 40 | 6.62 | 2.32 | 6.99 | 2.35 | 7.35 | 2.39 | 7.54 | 2.40 | 8.08 | 2.46 | 8.45 | 2.49 |
| | 35 | 6.99 | 2.17 | 7.35 | 2.20 | 7.72 | 2.24 | 7.90 | 2.26 | 8.45 | 2.31 | 8.81 | 2.34 |
| | 32 | 7.21 | 2.11 | 7.58 | 2.13 | 7.94 | 2.18 | 8.12 | 2.19 | 8.66 | 2.25 | 9.04 | 2.28 |
| | 25 | 7.73 | 1.92 | 8.09 | 1.95 | 8.46 | 2.00 | 8.64 | 2.00 | 9.18 | 2.07 | 9.55 | 2.09 |
| | 22 | 7.95 | 1.85 | 8.31 | 1.87 | 8.68 | 1.92 | 8.86 | 1.92 | 9.40 | 2.00 | 9.77 | 2.01 |
| 16+10+10+10 | 46 | 6.18 | 2.47 | 6.55 | 2.51 | 6.91 | 2.54 | 7.09 | 2.57 | 7.64 | 2.61 | 8.01 | 2.65 |
| | 43 | 6.40 | 2.39 | 6.77 | 2.43 | 7.13 | 2.46 | 7.31 | 2.48 | 7.86 | 2.54 | 8.23 | 2.57 |
| | 40 | 6.62 | 2.32 | 6.99 | 2.35 | 7.35 | 2.39 | 7.54 | 2.40 | 8.08 | 2.46 | 8.45 | 2.49 |
| | 35 | 6.99 | 2.17 | 7.35 | 2.20 | 7.72 | 2.24 | 7.90 | 2.26 | 8.45 | 2.31 | 8.81 | 2.34 |
| | 32 | 7.21 | 2.11 | 7.58 | 2.13 | 7.94 | 2.18 | 8.12 | 2.19 | 8.66 | 2.25 | 9.04 | 2.28 |
| | 25 | 7.73 | 1.92 | 8.09 | 1.95 | 8.46 | 2.00 | 8.64 | 2.00 | 9.18 | 2.07 | 9.55 | 2.09 |
| | 22 | 7.95 | 1.85 | 8.31 | 1.87 | 8.68 | 1.92 | 8.86 | 1.92 | 9.40 | 2.00 | 9.77 | 2.01 |
| 18+10+10+10 | 46 | 6.18 | 2.47 | 6.55 | 2.51 | 6.91 | 2.54 | 7.09 | 2.57 | 7.64 | 2.61 | 8.01 | 2.65 |
| | 43 | 6.40 | 2.39 | 6.77 | 2.43 | 7.13 | 2.46 | 7.31 | 2.48 | 7.86 | 2.54 | 8.23 | 2.57 |
| | 40 | 6.62 | 2.32 | 6.99 | 2.35 | 7.35 | 2.39 | 7.54 | 2.40 | 8.08 | 2.46 | 8.45 | 2.49 |
| | 35 | 6.99 | 2.17 | 7.35 | 2.20 | 7.72 | 2.24 | 7.90 | 2.26 | 8.45 | 2.31 | 8.81 | 2.34 |
| | 32 | 7.21 | 2.11 | 7.58 | 2.13 | 7.94 | 2.18 | 8.12 | 2.19 | 8.66 | 2.25 | 9.04 | 2.28 |
| | 25 | 7.73 | 1.92 | 8.09 | 1.95 | 8.46 | 2.00 | 8.64 | 2.00 | 9.18 | 2.07 | 9.55 | 2.09 |
| | 22 | 7.95 | 1.85 | 8.31 | 1.87 | 8.68 | 1.92 | 8.86 | 1.92 | 9.40 | 2.00 | 9.77 | 2.01 |
| 13+13+10+10 | 46 | 6.18 | 2.47 | 6.55 | 2.51 | 6.91 | 2.54 | 7.09 | 2.57 | 7.64 | 2.61 | 8.01 | 2.65 |
| | 43 | 6.40 | 2.39 | 6.77 | 2.43 | 7.13 | 2.46 | 7.31 | 2.48 | 7.86 | 2.54 | 8.23 | 2.57 |
| | 40 | 6.62 | 2.32 | 6.99 | 2.35 | 7.35 | 2.39 | 7.54 | 2.40 | 8.08 | 2.46 | 8.45 | 2.49 |
| | 35 | 6.99 | 2.17 | 7.35 | 2.20 | 7.72 | 2.24 | 7.90 | 2.26 | 8.45 | 2.31 | 8.81 | 2.34 |
| | 32 | 7.21 | 2.11 | 7.58 | 2.13 | 7.94 | 2.18 | 8.12 | 2.19 | 8.66 | 2.25 | 9.04 | 2.28 |
| | 25 | 7.73 | 1.92 | 8.09 | 1.95 | 8.46 | 2.00 | 8.64 | 2.00 | 9.18 | 2.07 | 9.55 | 2.09 |
| | 22 | 7.95 | 1.85 | 8.31 | 1.87 | 8.68 | 1.92 | 8.86 | 1.92 | 9.40 | 2.00 | 9.77 | 2.01 |
| 16+13+10+10 | 46 | 6.18 | 2.47 | 6.55 | 2.51 | 6.91 | 2.54 | 7.09 | 2.57 | 7.64 | 2.61 | 8.01 | 2.65 |
| | 43 | 6.40 | 2.39 | 6.77 | 2.43 | 7.13 | 2.46 | 7.31 | 2.48 | 7.86 | 2.54 | 8.23 | 2.57 |
| | 40 | 6.62 | 2.32 | 6.99 | 2.35 | 7.35 | 2.39 | 7.54 | 2.40 | 8.08 | 2.46 | 8.45 | 2.49 |
| | 35 | 6.99 | 2.17 | 7.35 | 2.20 | 7.72 | 2.24 | 7.90 | 2.26 | 8.45 | 2.31 | 8.81 | 2.34 |
| | 32 | 7.21 | 2.11 | 7.58 | 2.13 | 7.94 | 2.18 | 8.12 | 2.19 | 8.66 | 2.25 | 9.04 | 2.28 |
| | 25 | 7.73 | 1.92 | 8.09 | 1.95 | 8.46 | 2.00 | 8.64 | 2.00 | 9.18 | 2.07 | 9.55 | 2.09 |
| | 22 | 7.95 | 1.85 | 8.31 | 1.87 | 8.68 | 1.92 | 8.86 | 1.92 | 9.40 | 2.00 | 9.77 | 2.01 |
| 18+13+10+10 | 46 | 6.18 | 2.47 | 6.55 | 2.51 | 6.91 | 2.54 | 7.09 | 2.57 | 7.64 | 2.61 | 8.01 | 2.65 |
| | 43 | 6.40 | 2.39 | 6.77 | 2.43 | 7.13 | 2.46 | 7.31 | 2.48 | 7.86 | 2.54 | 8.23 | 2.57 |
| | 40 | 6.62 | 2.32 | 6.99 | 2.35 | 7.35 | 2.39 | 7.54 | 2.40 | 8.08 | 2.46 | 8.45 | 2.49 |
| | 35 | 6.99 | 2.17 | 7.35 | 2.20 | 7.72 | 2.24 | 7.90 | 2.26 | 8.45 | 2.31 | 8.81 | 2.34 |
| | 32 | 7.21 | 2.11 | 7.58 | 2.13 | 7.94 | 2.18 | 8.12 | 2.19 | 8.66 | 2.25 | 9.04 | 2.28 |
| | 25 | 7.73 | 1.92 | 8.09 | 1.95 | 8.46 | 2.00 | 8.64 | 2.00 | 9.18 | 2.07 | 9.55 | 2.09 |
| | 22 | 7.95 | 1.85 | 8.31 | 1.87 | 8.68 | 1.92 | 8.86 | 1.92 | 9.40 | 2.00 | 9.77 | 2.01 |

Cooling

4 - rooms multisplit : 4 - unit operation

Indoor units : 16 type + 16 type + 10 type + 10 type 18 type + 13 type + 13 type + 10 type
 18 type + 16 type + 10 type + 10 type 13 type + 13 type + 13 type + 13 type
 13 type + 13 type + 13 type + 10 type
 16 type + 13 type + 13 type + 10 type

Outdoor unit : RAS-4M27U2AVG-E

| Combination (Capacity) | Outdoor air temp. [°C DB] | Indoor air temp. [°C WB] | | | | | | | | | | | |
|---------------------------|---------------------------------|--------------------------|------------|------------|------------|------------|------------|------------|------------|------------|------------|------------|------------|
| | | 14 | | 16 | | 18 | | 19 | | 22 | | 24 | |
| | | TC [kW] | PI [kW] | TC [kW] | PI [kW] | TC [kW] | PI [kW] | TC [kW] | PI [kW] | TC [kW] | PI [kW] | TC [kW] | PI [kW] |
| 16+16+10+10 | 46 | 6.26 | 2.50 | 6.63 | 2.54 | 7.00 | 2.57 | 7.18 | 2.60 | 7.74 | 2.65 | 8.11 | 2.69 |
| | 43 | 6.48 | 2.43 | 6.85 | 2.46 | 7.22 | 2.50 | 7.41 | 2.52 | 7.96 | 2.57 | 8.33 | 2.61 |
| | 40 | 6.71 | 2.35 | 7.08 | 2.38 | 7.44 | 2.42 | 7.63 | 2.44 | 8.18 | 2.49 | 8.55 | 2.52 |
| | 35 | 7.08 | 2.20 | 7.44 | 2.23 | 7.81 | 2.27 | 8.00 | 2.29 | 8.55 | 2.34 | 8.92 | 2.37 |
| | 32 | 7.30 | 2.13 | 7.67 | 2.16 | 8.04 | 2.21 | 8.23 | 2.22 | 8.77 | 2.28 | 9.15 | 2.31 |
| | 25 | 7.82 | 1.95 | 8.19 | 1.97 | 8.56 | 2.03 | 8.75 | 2.03 | 9.29 | 2.10 | 9.67 | 2.12 |
| | 22 | 8.05 | 1.87 | 8.42 | 1.89 | 8.79 | 1.95 | 8.97 | 1.95 | 9.52 | 2.02 | 9.89 | 2.04 |
| 18+16+10+10 | 46 | 6.26 | 2.50 | 6.63 | 2.54 | 7.00 | 2.57 | 7.18 | 2.60 | 7.74 | 2.65 | 8.11 | 2.69 |
| | 43 | 6.48 | 2.43 | 6.85 | 2.46 | 7.22 | 2.50 | 7.41 | 2.52 | 7.96 | 2.57 | 8.33 | 2.61 |
| | 40 | 6.71 | 2.35 | 7.08 | 2.38 | 7.44 | 2.42 | 7.63 | 2.44 | 8.18 | 2.49 | 8.55 | 2.52 |
| | 35 | 7.08 | 2.20 | 7.44 | 2.23 | 7.81 | 2.27 | 8.00 | 2.29 | 8.55 | 2.34 | 8.92 | 2.37 |
| | 32 | 7.30 | 2.13 | 7.67 | 2.16 | 8.04 | 2.21 | 8.23 | 2.22 | 8.77 | 2.28 | 9.15 | 2.31 |
| | 25 | 7.82 | 1.95 | 8.19 | 1.97 | 8.56 | 2.03 | 8.75 | 2.03 | 9.29 | 2.10 | 9.67 | 2.12 |
| | 22 | 8.05 | 1.87 | 8.42 | 1.89 | 8.79 | 1.95 | 8.97 | 1.95 | 9.52 | 2.02 | 9.89 | 2.04 |
| 13+13+13+10 | 46 | 6.18 | 2.47 | 6.55 | 2.51 | 6.91 | 2.54 | 7.09 | 2.57 | 7.64 | 2.61 | 8.01 | 2.65 |
| | 43 | 6.40 | 2.39 | 6.77 | 2.43 | 7.13 | 2.46 | 7.31 | 2.48 | 7.86 | 2.54 | 8.23 | 2.57 |
| | 40 | 6.62 | 2.32 | 6.99 | 2.35 | 7.35 | 2.39 | 7.54 | 2.40 | 8.08 | 2.46 | 8.45 | 2.49 |
| | 35 | 6.99 | 2.17 | 7.35 | 2.20 | 7.72 | 2.24 | 7.90 | 2.26 | 8.45 | 2.31 | 8.81 | 2.34 |
| | 32 | 7.21 | 2.11 | 7.58 | 2.13 | 7.94 | 2.18 | 8.12 | 2.19 | 8.66 | 2.25 | 9.04 | 2.28 |
| | 25 | 7.73 | 1.92 | 8.09 | 1.95 | 8.46 | 2.00 | 8.64 | 2.00 | 9.18 | 2.07 | 9.55 | 2.09 |
| | 22 | 7.95 | 1.85 | 8.31 | 1.87 | 8.68 | 1.92 | 8.86 | 1.92 | 9.40 | 2.00 | 9.77 | 2.01 |
| 16+13+13+10 | 46 | 6.26 | 2.50 | 6.63 | 2.54 | 7.00 | 2.57 | 7.18 | 2.60 | 7.74 | 2.65 | 8.11 | 2.69 |
| | 43 | 6.48 | 2.43 | 6.85 | 2.46 | 7.22 | 2.50 | 7.41 | 2.52 | 7.96 | 2.57 | 8.33 | 2.61 |
| | 40 | 6.71 | 2.35 | 7.08 | 2.38 | 7.44 | 2.42 | 7.63 | 2.44 | 8.18 | 2.49 | 8.55 | 2.52 |
| | 35 | 7.08 | 2.20 | 7.44 | 2.23 | 7.81 | 2.27 | 8.00 | 2.29 | 8.55 | 2.34 | 8.92 | 2.37 |
| | 32 | 7.30 | 2.13 | 7.67 | 2.16 | 8.04 | 2.21 | 8.23 | 2.22 | 8.77 | 2.28 | 9.15 | 2.31 |
| | 25 | 7.82 | 1.95 | 8.19 | 1.97 | 8.56 | 2.03 | 8.75 | 2.03 | 9.29 | 2.10 | 9.67 | 2.12 |
| | 22 | 8.05 | 1.87 | 8.42 | 1.89 | 8.79 | 1.95 | 8.97 | 1.95 | 9.52 | 2.02 | 9.89 | 2.04 |
| 18+13+13+10 | 46 | 6.26 | 2.50 | 6.63 | 2.54 | 7.00 | 2.57 | 7.18 | 2.60 | 7.74 | 2.65 | 8.11 | 2.69 |
| | 43 | 6.48 | 2.43 | 6.85 | 2.46 | 7.22 | 2.50 | 7.41 | 2.52 | 7.96 | 2.57 | 8.33 | 2.61 |
| | 40 | 6.71 | 2.35 | 7.08 | 2.38 | 7.44 | 2.42 | 7.63 | 2.44 | 8.18 | 2.49 | 8.55 | 2.52 |
| | 35 | 7.08 | 2.20 | 7.44 | 2.23 | 7.81 | 2.27 | 8.00 | 2.29 | 8.55 | 2.34 | 8.92 | 2.37 |
| | 32 | 7.30 | 2.13 | 7.67 | 2.16 | 8.04 | 2.21 | 8.23 | 2.22 | 8.77 | 2.28 | 9.15 | 2.31 |
| | 25 | 7.82 | 1.95 | 8.19 | 1.97 | 8.56 | 2.03 | 8.75 | 2.03 | 9.29 | 2.10 | 9.67 | 2.12 |
| | 22 | 8.05 | 1.87 | 8.42 | 1.89 | 8.79 | 1.95 | 8.97 | 1.95 | 9.52 | 2.02 | 9.89 | 2.04 |
| 13+13+13+13 | 46 | 6.26 | 2.50 | 6.63 | 2.54 | 7.00 | 2.57 | 7.18 | 2.60 | 7.74 | 2.65 | 8.11 | 2.69 |
| | 43 | 6.48 | 2.43 | 6.85 | 2.46 | 7.22 | 2.50 | 7.41 | 2.52 | 7.96 | 2.57 | 8.33 | 2.61 |
| | 40 | 6.71 | 2.35 | 7.08 | 2.38 | 7.44 | 2.42 | 7.63 | 2.44 | 8.18 | 2.49 | 8.55 | 2.52 |
| | 35 | 7.08 | 2.20 | 7.44 | 2.23 | 7.81 | 2.27 | 8.00 | 2.29 | 8.55 | 2.34 | 8.92 | 2.37 |
| | 32 | 7.30 | 2.13 | 7.67 | 2.16 | 8.04 | 2.21 | 8.23 | 2.22 | 8.77 | 2.28 | 9.15 | 2.31 |
| | 25 | 7.82 | 1.95 | 8.19 | 1.97 | 8.56 | 2.03 | 8.75 | 2.03 | 9.29 | 2.10 | 9.67 | 2.12 |
| | 22 | 8.05 | 1.87 | 8.42 | 1.89 | 8.79 | 1.95 | 8.97 | 1.95 | 9.52 | 2.02 | 9.89 | 2.04 |

Heating

4 - rooms multisplit : 1 - unit operation

Indoor units : 05 type 16 type
 07 type 18 type
 10 type 22 type
 13 type 24 type

Outdoor unit : RAS-4M27U2AVG-E

| Combination (Capacity) | Outdoor air temp. [°C WB] | Indoor air temp. [°C DB] | | | | | | | | | | | |
|---------------------------|---------------------------------|--------------------------|------------|------------|------------|------------|------------|------------|------------|------------|------------|------------|------------|
| | | 16 | | 18 | | 20 | | 21 | | 22 | | 24 | |
| | | TC [kW] | PI [kW] | TC [kW] | PI [kW] | TC [kW] | PI [kW] | TC [kW] | PI [kW] | TC [kW] | PI [kW] | TC [kW] | PI [kW] |
| 05 | 15 | 2.46 | 0.63 | 2.43 | 0.64 | 2.41 | 0.65 | 2.39 | 0.65 | 2.38 | 0.65 | 2.35 | 0.65 |
| | 10 | 2.24 | 0.61 | 2.21 | 0.61 | 2.18 | 0.62 | 2.17 | 0.62 | 2.15 | 0.62 | 2.12 | 0.63 |
| | 6 | 2.06 | 0.59 | 2.03 | 0.59 | 2.00 | 0.60 | 1.99 | 0.60 | 1.97 | 0.60 | 1.94 | 0.61 |
| | 0 | 1.78 | 0.56 | 1.76 | 0.57 | 1.73 | 0.57 | 1.72 | 0.57 | 1.70 | 0.57 | 1.67 | 0.58 |
| | -5 | 1.56 | 0.54 | 1.53 | 0.54 | 1.50 | 0.55 | 1.49 | 0.55 | 1.48 | 0.55 | 1.45 | 0.55 |
| | -10 | 1.33 | 0.51 | 1.31 | 0.52 | 1.28 | 0.52 | 1.26 | 0.52 | 1.25 | 0.52 | 1.22 | 0.53 |
| 07 | 15 | 3.32 | 0.95 | 3.29 | 0.96 | 3.25 | 0.97 | 3.23 | 0.97 | 3.21 | 0.97 | 3.17 | 0.98 |
| | 10 | 3.02 | 0.92 | 2.98 | 0.92 | 2.94 | 0.93 | 2.92 | 0.93 | 2.91 | 0.93 | 2.87 | 0.94 |
| | 6 | 2.77 | 0.89 | 2.74 | 0.89 | 2.70 | 0.90 | 2.68 | 0.90 | 2.66 | 0.90 | 2.62 | 0.91 |
| | 0 | 2.41 | 0.84 | 2.37 | 0.85 | 2.33 | 0.86 | 2.32 | 0.86 | 2.30 | 0.86 | 2.26 | 0.86 |
| | -5 | 2.10 | 0.81 | 2.07 | 0.81 | 2.03 | 0.82 | 2.01 | 0.82 | 1.99 | 0.82 | 1.96 | 0.83 |
| | -10 | 1.80 | 0.77 | 1.76 | 0.77 | 1.73 | 0.78 | 1.71 | 0.78 | 1.69 | 0.78 | 1.65 | 0.79 |
| 10 | 15 | 4.92 | 1.53 | 4.87 | 1.54 | 4.81 | 1.56 | 4.79 | 1.56 | 4.76 | 1.56 | 4.70 | 1.57 |
| | 10 | 4.47 | 1.47 | 4.42 | 1.48 | 4.36 | 1.50 | 4.33 | 1.50 | 4.31 | 1.50 | 4.25 | 1.51 |
| | 6 | 4.11 | 1.43 | 4.05 | 1.44 | 4.00 | 1.45 | 3.97 | 1.45 | 3.94 | 1.45 | 3.89 | 1.46 |
| | 0 | 3.57 | 1.36 | 3.51 | 1.37 | 3.46 | 1.38 | 3.43 | 1.38 | 3.40 | 1.38 | 3.35 | 1.39 |
| | -5 | 3.12 | 1.30 | 3.06 | 1.31 | 3.01 | 1.32 | 2.98 | 1.32 | 2.95 | 1.32 | 2.90 | 1.33 |
| | -10 | 2.67 | 1.24 | 2.61 | 1.25 | 2.56 | 1.26 | 2.53 | 1.26 | 2.50 | 1.26 | 2.44 | 1.27 |
| 13 | 15 | 6.15 | 2.17 | 6.09 | 2.18 | 6.02 | 2.20 | 5.98 | 2.21 | 5.95 | 2.21 | 5.88 | 2.22 |
| | 10 | 5.59 | 2.08 | 5.52 | 2.10 | 5.45 | 2.12 | 5.42 | 2.13 | 5.38 | 2.13 | 5.31 | 2.14 |
| | 6 | 5.14 | 2.02 | 5.07 | 2.03 | 5.00 | 2.05 | 4.96 | 2.06 | 4.93 | 2.06 | 4.86 | 2.07 |
| | 0 | 4.46 | 1.92 | 4.39 | 1.93 | 4.32 | 1.95 | 4.29 | 1.96 | 4.26 | 1.96 | 4.19 | 1.97 |
| | -5 | 3.90 | 1.83 | 3.83 | 1.85 | 3.76 | 1.87 | 3.73 | 1.87 | 3.69 | 1.87 | 3.62 | 1.88 |
| | -10 | 3.33 | 1.75 | 3.26 | 1.76 | 3.19 | 1.78 | 3.16 | 1.79 | 3.12 | 1.79 | 3.06 | 1.80 |
| 16 | 15 | 7.77 | 2.54 | 7.69 | 2.56 | 7.62 | 2.58 | 7.58 | 2.59 | 7.54 | 2.59 | 7.47 | 2.60 |
| | 10 | 6.15 | 2.44 | 6.07 | 2.46 | 6.00 | 2.48 | 5.96 | 2.49 | 5.92 | 2.49 | 5.84 | 2.50 |
| | 6 | 5.65 | 2.36 | 5.58 | 2.38 | 5.50 | 2.40 | 5.46 | 2.41 | 5.42 | 2.41 | 5.35 | 2.42 |
| | 0 | 4.91 | 2.25 | 4.83 | 2.26 | 4.76 | 2.28 | 4.72 | 2.29 | 4.68 | 2.29 | 4.60 | 2.30 |
| | -5 | 4.29 | 2.15 | 4.21 | 2.16 | 4.13 | 2.18 | 4.10 | 2.19 | 4.06 | 2.19 | 3.98 | 2.20 |
| | -10 | 3.67 | 2.05 | 3.59 | 2.06 | 3.51 | 2.08 | 3.48 | 2.09 | 3.44 | 2.09 | 3.36 | 2.10 |
| 18 | 15 | 7.38 | 2.78 | 7.30 | 2.80 | 7.22 | 2.83 | 7.18 | 2.84 | 7.14 | 2.84 | 7.05 | 2.85 |
| | 10 | 6.71 | 2.67 | 6.62 | 2.69 | 6.54 | 2.72 | 6.50 | 2.73 | 6.46 | 2.73 | 6.37 | 2.74 |
| | 6 | 6.17 | 2.59 | 6.08 | 2.60 | 6.00 | 2.63 | 5.96 | 2.64 | 5.92 | 2.64 | 5.83 | 2.65 |
| | 0 | 5.35 | 2.46 | 5.27 | 2.48 | 5.19 | 2.50 | 5.15 | 2.51 | 5.11 | 2.51 | 5.02 | 2.52 |
| | -5 | 4.68 | 2.35 | 4.59 | 2.37 | 4.51 | 2.39 | 4.47 | 2.40 | 4.43 | 2.40 | 4.35 | 2.41 |
| | -10 | 4.00 | 2.25 | 3.92 | 2.26 | 3.83 | 2.28 | 3.79 | 2.29 | 3.75 | 2.29 | 3.67 | 2.31 |
| 22 | 15 | 8.62 | 2.77 | 8.52 | 2.79 | 8.42 | 2.82 | 8.37 | 2.83 | 8.33 | 2.83 | 8.23 | 2.84 |
| | 10 | 7.82 | 2.66 | 7.73 | 2.68 | 7.63 | 2.71 | 7.58 | 2.72 | 7.53 | 2.72 | 7.44 | 2.73 |
| | 6 | 7.19 | 2.58 | 7.10 | 2.59 | 7.00 | 2.62 | 6.95 | 2.63 | 6.90 | 2.63 | 6.81 | 2.64 |
| | 0 | 6.25 | 2.45 | 6.15 | 2.47 | 6.05 | 2.49 | 6.01 | 2.50 | 5.96 | 2.50 | 5.86 | 2.52 |
| | -5 | 5.46 | 2.34 | 5.36 | 2.36 | 5.26 | 2.38 | 5.22 | 2.39 | 5.17 | 2.39 | 5.07 | 2.41 |
| | -10 | 4.67 | 2.24 | 4.57 | 2.25 | 4.47 | 2.28 | 4.42 | 2.28 | 4.37 | 2.28 | 4.28 | 2.30 |
| 24 | 15 | 9.97 | 3.26 | 9.86 | 3.28 | 9.74 | 3.31 | 9.69 | 3.32 | 9.63 | 3.32 | 9.52 | 3.34 |
| | 10 | 9.05 | 3.13 | 8.94 | 3.15 | 8.83 | 3.18 | 8.77 | 3.19 | 8.72 | 3.19 | 8.61 | 3.21 |
| | 6 | 8.32 | 3.03 | 8.21 | 3.05 | 8.10 | 3.08 | 8.04 | 3.09 | 7.99 | 3.09 | 7.87 | 3.11 |
| | 0 | 7.23 | 2.88 | 7.12 | 2.90 | 7.00 | 2.93 | 6.95 | 2.94 | 6.89 | 2.94 | 6.78 | 2.96 |
| | -5 | 6.31 | 2.76 | 6.20 | 2.77 | 6.09 | 2.80 | 6.04 | 2.81 | 5.98 | 2.81 | 5.87 | 2.83 |
| | -10 | 5.40 | 2.63 | 5.29 | 2.65 | 5.18 | 2.67 | 5.12 | 2.68 | 5.06 | 2.68 | 4.95 | 2.70 |
| 24 | 15 | 4.48 | 2.51 | 4.37 | 2.52 | 4.26 | 2.55 | 4.20 | 2.55 | 4.15 | 2.55 | 4.04 | 2.57 |

Heating

4 - rooms multisplit : 2 - unit operation

Indoor units : 05 type + 05 type 16 type + 05 type
 07 type + 05 type 18 type + 05 type
 10 type + 05 type 22 type + 05 type
 13 type + 05 type 24 type + 05 type

Outdoor unit : RAS-4M27U2AVG-E

| Combination (Capacity) | Outdoor air temp. [°C WB] | Indoor air temp. [°C DB] | | | | | | | | | | | |
|---------------------------|---------------------------------|--------------------------|------------|------------|------------|------------|------------|------------|------------|------------|------------|------------|------------|
| | | 16 | | 18 | | 20 | | 21 | | 22 | | 24 | |
| | | TC [kW] | PI [kW] | TC [kW] | PI [kW] | TC [kW] | PI [kW] | TC [kW] | PI [kW] | TC [kW] | PI [kW] | TC [kW] | PI [kW] |
| 05+05 | 15 | 4.92 | 1.38 | 4.87 | 1.38 | 4.81 | 1.40 | 4.79 | 1.40 | 4.76 | 1.40 | 4.70 | 1.41 |
| | 10 | 4.47 | 1.32 | 4.42 | 1.33 | 4.36 | 1.34 | 4.33 | 1.35 | 4.31 | 1.35 | 4.25 | 1.36 |
| | 6 | 4.11 | 1.28 | 4.05 | 1.29 | 4.00 | 1.30 | 3.97 | 1.30 | 3.94 | 1.30 | 3.89 | 1.31 |
| | 0 | 3.57 | 1.22 | 3.51 | 1.22 | 3.46 | 1.24 | 3.43 | 1.24 | 3.40 | 1.24 | 3.35 | 1.25 |
| | -5 | 3.12 | 1.16 | 3.06 | 1.17 | 3.01 | 1.18 | 2.98 | 1.19 | 2.95 | 1.19 | 2.90 | 1.19 |
| | -10 | 2.67 | 1.11 | 2.61 | 1.12 | 2.56 | 1.13 | 2.53 | 1.13 | 2.50 | 1.13 | 2.44 | 1.14 |
| | -15 | 2.21 | 1.06 | 2.16 | 1.06 | 2.10 | 1.08 | 2.08 | 1.08 | 2.05 | 1.08 | 1.99 | 1.09 |
| 07+05 | 15 | 5.78 | 1.59 | 5.72 | 1.60 | 5.65 | 1.61 | 5.62 | 1.62 | 5.59 | 1.62 | 5.53 | 1.63 |
| | 10 | 5.25 | 1.53 | 5.19 | 1.54 | 5.12 | 1.55 | 5.09 | 1.56 | 5.06 | 1.56 | 4.99 | 1.57 |
| | 6 | 4.83 | 1.48 | 4.76 | 1.49 | 4.70 | 1.50 | 4.67 | 1.50 | 4.63 | 1.50 | 4.57 | 1.51 |
| | 0 | 4.19 | 1.40 | 4.13 | 1.41 | 4.06 | 1.43 | 4.03 | 1.43 | 4.00 | 1.43 | 3.93 | 1.44 |
| | -5 | 3.66 | 1.34 | 3.60 | 1.35 | 3.53 | 1.36 | 3.50 | 1.37 | 3.47 | 1.37 | 3.40 | 1.38 |
| | -10 | 3.13 | 1.28 | 3.07 | 1.29 | 3.00 | 1.30 | 2.97 | 1.31 | 2.94 | 1.31 | 2.87 | 1.31 |
| | -15 | 2.60 | 1.22 | 2.54 | 1.23 | 2.47 | 1.24 | 2.44 | 1.24 | 2.41 | 1.24 | 2.34 | 1.25 |
| 10+05 | 15 | 7.38 | 1.90 | 7.30 | 1.92 | 7.22 | 1.94 | 7.18 | 1.94 | 7.14 | 1.94 | 7.05 | 1.95 |
| | 10 | 6.71 | 1.83 | 6.62 | 1.84 | 6.54 | 1.86 | 6.50 | 1.87 | 6.46 | 1.87 | 6.37 | 1.88 |
| | 6 | 6.17 | 1.77 | 6.08 | 1.78 | 6.00 | 1.80 | 5.96 | 1.81 | 5.92 | 1.81 | 5.83 | 1.82 |
| | 0 | 5.35 | 1.68 | 5.27 | 1.70 | 5.19 | 1.71 | 5.15 | 1.72 | 5.11 | 1.72 | 5.02 | 1.73 |
| | -5 | 4.68 | 1.61 | 4.59 | 1.62 | 4.51 | 1.64 | 4.47 | 1.64 | 4.43 | 1.64 | 4.35 | 1.65 |
| | -10 | 4.00 | 1.54 | 3.92 | 1.55 | 3.83 | 1.56 | 3.79 | 1.57 | 3.75 | 1.57 | 3.67 | 1.58 |
| | -15 | 3.32 | 1.46 | 3.24 | 1.47 | 3.16 | 1.49 | 3.11 | 1.49 | 3.07 | 1.49 | 2.99 | 1.50 |
| 13+05 | 15 | 8.62 | 2.27 | 8.52 | 2.29 | 8.42 | 2.31 | 8.37 | 2.32 | 8.33 | 2.32 | 8.23 | 2.33 |
| | 10 | 7.82 | 2.19 | 7.73 | 2.20 | 7.63 | 2.22 | 7.58 | 2.23 | 7.53 | 2.23 | 7.44 | 2.24 |
| | 6 | 7.19 | 2.11 | 7.10 | 2.13 | 7.00 | 2.15 | 6.95 | 2.16 | 6.90 | 2.16 | 6.81 | 2.17 |
| | 0 | 6.25 | 2.01 | 6.15 | 2.02 | 6.05 | 2.05 | 6.01 | 2.05 | 5.96 | 2.05 | 5.86 | 2.06 |
| | -5 | 5.46 | 1.92 | 5.36 | 1.94 | 5.26 | 1.96 | 5.22 | 1.96 | 5.17 | 1.96 | 5.07 | 1.97 |
| | -10 | 4.67 | 1.84 | 4.57 | 1.85 | 4.47 | 1.87 | 4.42 | 1.87 | 4.37 | 1.87 | 4.28 | 1.88 |
| | -15 | 3.88 | 1.75 | 3.78 | 1.76 | 3.68 | 1.78 | 3.63 | 1.78 | 3.59 | 1.78 | 3.49 | 1.79 |
| 16+05 | 15 | 9.23 | 2.45 | 9.13 | 2.47 | 9.02 | 2.49 | 8.97 | 2.50 | 8.92 | 2.50 | 8.82 | 2.52 |
| | 10 | 8.38 | 2.36 | 8.28 | 2.37 | 8.18 | 2.40 | 8.12 | 2.41 | 8.07 | 2.41 | 7.97 | 2.42 |
| | 6 | 7.71 | 2.28 | 7.60 | 2.30 | 7.50 | 2.32 | 7.45 | 2.33 | 7.39 | 2.33 | 7.29 | 2.34 |
| | 0 | 6.69 | 2.17 | 6.59 | 2.18 | 6.48 | 2.21 | 6.43 | 2.21 | 6.38 | 2.21 | 6.28 | 2.23 |
| | -5 | 5.85 | 2.08 | 5.74 | 2.09 | 5.64 | 2.11 | 5.59 | 2.12 | 5.54 | 2.12 | 5.43 | 2.13 |
| | -10 | 5.00 | 1.98 | 4.90 | 1.99 | 4.79 | 2.01 | 4.74 | 2.02 | 4.69 | 2.02 | 4.58 | 2.03 |
| | -15 | 4.15 | 1.89 | 4.05 | 1.90 | 3.95 | 1.92 | 3.89 | 1.92 | 3.84 | 1.92 | 3.74 | 1.94 |
| 18+05 | 15 | 9.85 | 2.62 | 9.74 | 2.64 | 9.62 | 2.67 | 9.57 | 2.67 | 9.52 | 2.67 | 9.41 | 2.69 |
| | 10 | 8.94 | 2.52 | 8.83 | 2.54 | 8.72 | 2.56 | 8.67 | 2.57 | 8.61 | 2.57 | 8.50 | 2.59 |
| | 6 | 8.22 | 2.44 | 8.11 | 2.46 | 8.00 | 2.48 | 7.94 | 2.49 | 7.89 | 2.49 | 7.78 | 2.50 |
| | 0 | 7.14 | 2.32 | 7.03 | 2.34 | 6.92 | 2.36 | 6.86 | 2.37 | 6.81 | 2.37 | 6.70 | 2.38 |
| | -5 | 6.24 | 2.22 | 6.13 | 2.23 | 6.01 | 2.26 | 5.96 | 2.26 | 5.91 | 2.26 | 5.80 | 2.28 |
| | -10 | 5.33 | 2.12 | 5.22 | 2.13 | 5.11 | 2.15 | 5.06 | 2.16 | 5.00 | 2.16 | 4.89 | 2.17 |
| | -15 | 4.43 | 2.02 | 4.32 | 2.03 | 4.21 | 2.05 | 4.15 | 2.06 | 4.10 | 2.06 | 3.99 | 2.07 |
| 22+05 | 15 | 10.22 | 2.86 | 10.10 | 2.87 | 9.99 | 2.90 | 9.93 | 2.91 | 9.87 | 2.91 | 9.76 | 2.93 |
| | 10 | 9.28 | 2.75 | 9.16 | 2.76 | 9.05 | 2.79 | 8.99 | 2.80 | 8.93 | 2.80 | 8.82 | 2.82 |
| | 6 | 8.53 | 2.66 | 8.41 | 2.67 | 8.30 | 2.70 | 8.24 | 2.71 | 8.18 | 2.71 | 8.07 | 2.72 |
| | 0 | 7.41 | 2.53 | 7.29 | 2.54 | 7.18 | 2.57 | 7.12 | 2.58 | 7.06 | 2.58 | 6.95 | 2.59 |
| | -5 | 6.47 | 2.42 | 6.36 | 2.43 | 6.24 | 2.46 | 6.18 | 2.46 | 6.13 | 2.46 | 6.01 | 2.48 |
| | -10 | 5.53 | 2.31 | 5.42 | 2.32 | 5.30 | 2.34 | 5.24 | 2.35 | 5.19 | 2.35 | 5.07 | 2.37 |
| | -15 | 4.60 | 2.20 | 4.48 | 2.21 | 4.37 | 2.23 | 4.31 | 2.24 | 4.25 | 2.24 | 4.14 | 2.25 |
| 24+05 | 15 | 10.22 | 2.86 | 10.10 | 2.87 | 9.99 | 2.90 | 9.93 | 2.91 | 9.87 | 2.91 | 9.76 | 2.93 |
| | 10 | 9.28 | 2.75 | 9.16 | 2.76 | 9.05 | 2.79 | 8.99 | 2.80 | 8.93 | 2.80 | 8.82 | 2.82 |
| | 6 | 8.53 | 2.66 | 8.41 | 2.67 | 8.30 | 2.70 | 8.24 | 2.71 | 8.18 | 2.71 | 8.07 | 2.72 |
| | 0 | 7.41 | 2.53 | 7.29 | 2.54 | 7.18 | 2.57 | 7.12 | 2.58 | 7.06 | 2.58 | 6.95 | 2.59 |
| | -5 | 6.47 | 2.42 | 6.36 | 2.43 | 6.24 | 2.46 | 6.18 | 2.46 | 6.13 | 2.46 | 6.01 | 2.48 |
| | -10 | 5.53 | 2.31 | 5.42 | 2.32 | 5.30 | 2.34 | 5.24 | 2.35 | 5.19 | 2.35 | 5.07 | 2.37 |
| | -15 | 4.60 | 2.20 | 4.48 | 2.21 | 4.37 | 2.23 | 4.31 | 2.24 | 4.25 | 2.24 | 4.14 | 2.25 |

Heating

4 - rooms multisplit : 2 - unit operation

Indoor units : 07 type + 07 type 18 type + 07 type
 10 type + 07 type 22 type + 07 type
 13 type + 07 type 24 type + 07 type
 16 type + 07 type 10 type + 10 type

Outdoor unit : RAS-4M27U2AVG-E

| Combination (Capacity) | Outdoor air temp. [°C WB] | Indoor air temp. [°C DB] | | | | | | | | | | | |
|---------------------------|---------------------------------|--------------------------|------------|------------|------------|------------|------------|------------|------------|------------|------------|------------|------------|
| | | 16 | | 18 | | 20 | | 21 | | 22 | | 24 | |
| | | TC [kW] | PI [kW] | TC [kW] | PI [kW] | TC [kW] | PI [kW] | TC [kW] | PI [kW] | TC [kW] | PI [kW] | TC [kW] | PI [kW] |
| 07+07 | 15 | 6.65 | 1.90 | 6.57 | 1.92 | 6.50 | 1.94 | 6.46 | 1.94 | 6.42 | 1.94 | 6.35 | 1.95 |
| | 10 | 6.04 | 1.83 | 5.96 | 1.84 | 5.89 | 1.86 | 5.85 | 1.87 | 5.81 | 1.87 | 5.74 | 1.88 |
| | 6 | 5.55 | 1.77 | 5.47 | 1.78 | 5.40 | 1.80 | 5.36 | 1.81 | 5.32 | 1.81 | 5.25 | 1.82 |
| | 0 | 4.82 | 1.68 | 4.74 | 1.70 | 4.67 | 1.71 | 4.63 | 1.72 | 4.60 | 1.72 | 4.52 | 1.73 |
| | -5 | 4.21 | 1.61 | 4.14 | 1.62 | 4.06 | 1.64 | 4.02 | 1.64 | 3.99 | 1.64 | 3.91 | 1.65 |
| | -10 | 3.60 | 1.54 | 3.52 | 1.55 | 3.45 | 1.56 | 3.41 | 1.57 | 3.37 | 1.57 | 3.30 | 1.58 |
| | -15 | 2.99 | 1.46 | 2.92 | 1.47 | 2.84 | 1.49 | 2.80 | 1.49 | 2.77 | 1.49 | 2.69 | 1.50 |
| 10+07 | 15 | 8.25 | 2.20 | 8.15 | 2.21 | 8.06 | 2.24 | 8.02 | 2.24 | 7.97 | 2.24 | 7.88 | 2.26 |
| | 10 | 7.49 | 2.12 | 7.40 | 2.13 | 7.30 | 2.15 | 7.26 | 2.16 | 7.21 | 2.16 | 7.12 | 2.17 |
| | 6 | 6.88 | 2.05 | 6.79 | 2.06 | 6.70 | 2.08 | 6.65 | 2.09 | 6.61 | 2.09 | 6.51 | 2.10 |
| | 0 | 5.98 | 1.95 | 5.89 | 1.96 | 5.79 | 1.98 | 5.75 | 1.98 | 5.70 | 1.98 | 5.61 | 2.00 |
| | -5 | 5.22 | 1.86 | 5.13 | 1.87 | 5.04 | 1.89 | 4.99 | 1.90 | 4.95 | 1.90 | 4.85 | 1.91 |
| | -10 | 4.47 | 1.78 | 4.37 | 1.79 | 4.28 | 1.81 | 4.23 | 1.81 | 4.19 | 1.81 | 4.09 | 1.82 |
| | -15 | 3.71 | 1.69 | 3.62 | 1.70 | 3.53 | 1.72 | 3.48 | 1.73 | 3.43 | 1.73 | 3.34 | 1.74 |
| 13+07 | 15 | 9.11 | 2.45 | 9.01 | 2.47 | 8.90 | 2.49 | 8.85 | 2.50 | 8.80 | 2.50 | 8.70 | 2.52 |
| | 10 | 8.27 | 2.36 | 8.17 | 2.37 | 8.07 | 2.40 | 8.02 | 2.41 | 7.96 | 2.41 | 7.86 | 2.42 |
| | 6 | 7.60 | 2.28 | 7.50 | 2.30 | 7.40 | 2.32 | 7.35 | 2.33 | 7.30 | 2.33 | 7.19 | 2.34 |
| | 0 | 6.60 | 2.17 | 6.50 | 2.18 | 6.40 | 2.21 | 6.35 | 2.21 | 6.30 | 2.21 | 6.20 | 2.23 |
| | -5 | 5.77 | 2.08 | 5.67 | 2.09 | 5.56 | 2.11 | 5.51 | 2.12 | 5.46 | 2.12 | 5.36 | 2.13 |
| | -10 | 4.93 | 1.98 | 4.83 | 1.99 | 4.73 | 2.01 | 4.68 | 2.02 | 4.62 | 2.02 | 4.52 | 2.03 |
| | -15 | 4.10 | 1.89 | 3.99 | 1.90 | 3.89 | 1.92 | 3.84 | 1.92 | 3.79 | 1.92 | 3.69 | 1.94 |
| 16+07 | 15 | 9.35 | 2.62 | 9.25 | 2.64 | 9.14 | 2.67 | 9.09 | 2.67 | 9.04 | 2.67 | 8.94 | 2.69 |
| | 10 | 8.50 | 2.52 | 8.39 | 2.54 | 8.29 | 2.56 | 8.23 | 2.57 | 8.18 | 2.57 | 8.07 | 2.59 |
| | 6 | 7.81 | 2.44 | 7.70 | 2.46 | 7.60 | 2.48 | 7.55 | 2.49 | 7.49 | 2.49 | 7.39 | 2.50 |
| | 0 | 6.78 | 2.32 | 6.68 | 2.34 | 6.57 | 2.36 | 6.52 | 2.37 | 6.47 | 2.37 | 6.36 | 2.38 |
| | -5 | 5.92 | 2.22 | 5.82 | 2.23 | 5.71 | 2.26 | 5.66 | 2.26 | 5.61 | 2.26 | 5.51 | 2.28 |
| | -10 | 5.07 | 2.12 | 4.96 | 2.13 | 4.86 | 2.15 | 4.80 | 2.16 | 4.75 | 2.16 | 4.64 | 2.17 |
| | -15 | 4.21 | 2.02 | 4.10 | 2.03 | 4.00 | 2.05 | 3.95 | 2.06 | 3.89 | 2.06 | 3.79 | 2.07 |
| 18+07 | 15 | 9.72 | 2.62 | 9.61 | 2.64 | 9.50 | 2.67 | 9.45 | 2.67 | 9.40 | 2.67 | 9.29 | 2.69 |
| | 10 | 8.83 | 2.52 | 8.72 | 2.54 | 8.61 | 2.56 | 8.56 | 2.57 | 8.50 | 2.57 | 8.39 | 2.59 |
| | 6 | 8.12 | 2.44 | 8.01 | 2.46 | 7.90 | 2.48 | 7.84 | 2.49 | 7.79 | 2.49 | 7.68 | 2.50 |
| | 0 | 7.05 | 2.32 | 6.94 | 2.34 | 6.83 | 2.36 | 6.78 | 2.37 | 6.72 | 2.37 | 6.61 | 2.38 |
| | -5 | 6.16 | 2.22 | 6.05 | 2.23 | 5.94 | 2.26 | 5.89 | 2.26 | 5.83 | 2.26 | 5.72 | 2.28 |
| | -10 | 5.27 | 2.12 | 5.16 | 2.13 | 5.05 | 2.15 | 4.99 | 2.16 | 4.94 | 2.16 | 4.83 | 2.17 |
| | -15 | 4.37 | 2.02 | 4.26 | 2.03 | 4.16 | 2.05 | 4.10 | 2.06 | 4.05 | 2.06 | 3.94 | 2.07 |
| 22+07 | 15 | 9.72 | 2.62 | 9.61 | 2.64 | 9.50 | 2.67 | 9.45 | 2.67 | 9.40 | 2.67 | 9.29 | 2.69 |
| | 10 | 8.83 | 2.52 | 8.72 | 2.54 | 8.61 | 2.56 | 8.56 | 2.57 | 8.50 | 2.57 | 8.39 | 2.59 |
| | 6 | 8.12 | 2.44 | 8.01 | 2.46 | 7.90 | 2.48 | 7.84 | 2.49 | 7.79 | 2.49 | 7.68 | 2.50 |
| | 0 | 7.05 | 2.32 | 6.94 | 2.34 | 6.83 | 2.36 | 6.78 | 2.37 | 6.72 | 2.37 | 6.61 | 2.38 |
| | -5 | 6.16 | 2.22 | 6.05 | 2.23 | 5.94 | 2.26 | 5.89 | 2.26 | 5.83 | 2.26 | 5.72 | 2.28 |
| | -10 | 5.27 | 2.12 | 5.16 | 2.13 | 5.05 | 2.15 | 4.99 | 2.16 | 4.94 | 2.16 | 4.83 | 2.17 |
| | -15 | 4.37 | 2.02 | 4.26 | 2.03 | 4.16 | 2.05 | 4.10 | 2.06 | 4.05 | 2.06 | 3.94 | 2.07 |
| 24+07 | 15 | 10.22 | 2.86 | 10.10 | 2.87 | 9.99 | 2.90 | 9.93 | 2.91 | 9.87 | 2.91 | 9.76 | 2.93 |
| | 10 | 9.28 | 2.75 | 9.16 | 2.76 | 9.05 | 2.79 | 8.99 | 2.80 | 8.93 | 2.80 | 8.82 | 2.82 |
| | 6 | 8.53 | 2.66 | 8.41 | 2.67 | 8.30 | 2.70 | 8.24 | 2.71 | 8.18 | 2.71 | 8.07 | 2.72 |
| | 0 | 7.41 | 2.53 | 7.29 | 2.54 | 7.18 | 2.57 | 7.12 | 2.58 | 7.06 | 2.58 | 6.95 | 2.59 |
| | -5 | 6.47 | 2.42 | 6.36 | 2.43 | 6.24 | 2.46 | 6.18 | 2.46 | 6.13 | 2.46 | 6.01 | 2.48 |
| | -10 | 5.53 | 2.31 | 5.42 | 2.32 | 5.30 | 2.34 | 5.24 | 2.35 | 5.19 | 2.35 | 5.07 | 2.37 |
| | -15 | 4.60 | 2.20 | 4.48 | 2.21 | 4.37 | 2.23 | 4.31 | 2.24 | 4.25 | 2.24 | 4.14 | 2.25 |
| 10+10 | 15 | 8.86 | 2.22 | 8.76 | 2.24 | 8.66 | 2.26 | 8.61 | 2.26 | 8.56 | 2.26 | 8.47 | 2.28 |
| | 10 | 8.05 | 2.14 | 7.95 | 2.15 | 7.85 | 2.17 | 7.80 | 2.18 | 7.75 | 2.18 | 7.65 | 2.19 |
| | 6 | 7.40 | 2.07 | 7.30 | 2.08 | 7.20 | 2.10 | 7.15 | 2.11 | 7.10 | 2.11 | 7.00 | 2.12 |
| | 0 | 6.42 | 1.96 | 6.33 | 1.98 | 6.23 | 2.00 | 6.18 | 2.00 | 6.13 | 2.00 | 6.03 | 2.02 |
| | -5 | 5.61 | 1.88 | 5.51 | 1.89 | 5.41 | 1.91 | 5.36 | 1.92 | 5.32 | 1.92 | 5.22 | 1.93 |
| | -10 | 4.80 | 1.79 | 4.70 | 1.81 | 4.60 | 1.82 | 4.55 | 1.83 | 4.50 | 1.83 | 4.40 | 1.84 |
| | -15 | 3.99 | 1.71 | 3.89 | 1.72 | 3.79 | 1.74 | 3.74 | 1.74 | 3.69 | 1.74 | 3.59 | 1.75 |

Heating

4 - rooms multisplit : 2 - unit operation

Indoor units : 13 type + 10 type 24 type + 10 type
 16 type + 10 type 13 type + 13 type
 18 type + 10 type 16 type + 13 type
 22 type + 10 type 18 type + 13 type

Outdoor unit : RAS-4M27U2AVG-E

| Combination (Capacity) | Outdoor air temp. [°C WB] | Indoor air temp. [°C DB] | | | | | | | | | | | |
|---------------------------|---------------------------------|--------------------------|------------|------------|------------|------------|------------|------------|------------|------------|------------|------------|------------|
| | | 16 | | 18 | | 20 | | 21 | | 22 | | 24 | |
| | | TC [kW] | PI [kW] | TC [kW] | PI [kW] | TC [kW] | PI [kW] | TC [kW] | PI [kW] | TC [kW] | PI [kW] | TC [kW] | PI [kW] |
| 13+10 | 15 | 9.35 | 2.45 | 9.25 | 2.47 | 9.14 | 2.49 | 9.09 | 2.50 | 9.04 | 2.50 | 8.94 | 2.52 |
| | 10 | 8.50 | 2.36 | 8.39 | 2.37 | 8.29 | 2.40 | 8.23 | 2.41 | 8.18 | 2.41 | 8.07 | 2.42 |
| | 6 | 7.81 | 2.28 | 7.70 | 2.30 | 7.60 | 2.32 | 7.55 | 2.33 | 7.49 | 2.33 | 7.39 | 2.34 |
| | 0 | 6.78 | 2.17 | 6.68 | 2.18 | 6.57 | 2.21 | 6.52 | 2.21 | 6.47 | 2.21 | 6.36 | 2.23 |
| | -5 | 5.92 | 2.08 | 5.82 | 2.09 | 5.71 | 2.11 | 5.66 | 2.12 | 5.61 | 2.12 | 5.51 | 2.13 |
| | -10 | 5.07 | 1.98 | 4.96 | 1.99 | 4.86 | 2.01 | 4.80 | 2.02 | 4.75 | 2.02 | 4.64 | 2.03 |
| | -15 | 4.21 | 1.89 | 4.10 | 1.90 | 4.00 | 1.92 | 3.95 | 1.92 | 3.89 | 1.92 | 3.79 | 1.94 |
| 16+10 | 15 | 9.72 | 2.62 | 9.61 | 2.64 | 9.50 | 2.67 | 9.45 | 2.67 | 9.40 | 2.67 | 9.29 | 2.69 |
| | 10 | 8.83 | 2.52 | 8.72 | 2.54 | 8.61 | 2.56 | 8.56 | 2.57 | 8.50 | 2.57 | 8.39 | 2.59 |
| | 6 | 8.12 | 2.44 | 8.01 | 2.46 | 7.90 | 2.48 | 7.84 | 2.49 | 7.79 | 2.49 | 7.68 | 2.50 |
| | 0 | 7.05 | 2.32 | 6.94 | 2.34 | 6.83 | 2.36 | 6.78 | 2.37 | 6.72 | 2.37 | 6.61 | 2.38 |
| | -5 | 6.16 | 2.22 | 6.05 | 2.23 | 5.94 | 2.26 | 5.89 | 2.26 | 5.83 | 2.26 | 5.72 | 2.28 |
| | -10 | 5.27 | 2.12 | 5.16 | 2.13 | 5.05 | 2.15 | 4.99 | 2.16 | 4.94 | 2.16 | 4.83 | 2.17 |
| | -15 | 4.37 | 2.02 | 4.26 | 2.03 | 4.16 | 2.05 | 4.10 | 2.06 | 4.05 | 2.06 | 3.94 | 2.07 |
| 18+10 | 15 | 9.72 | 2.62 | 9.61 | 2.64 | 9.50 | 2.67 | 9.45 | 2.67 | 9.40 | 2.67 | 9.29 | 2.69 |
| | 10 | 8.83 | 2.52 | 8.72 | 2.54 | 8.61 | 2.56 | 8.56 | 2.57 | 8.50 | 2.57 | 8.39 | 2.59 |
| | 6 | 8.12 | 2.44 | 8.01 | 2.46 | 7.90 | 2.48 | 7.84 | 2.49 | 7.79 | 2.49 | 7.68 | 2.50 |
| | 0 | 7.05 | 2.32 | 6.94 | 2.34 | 6.83 | 2.36 | 6.78 | 2.37 | 6.72 | 2.37 | 6.61 | 2.38 |
| | -5 | 6.16 | 2.22 | 6.05 | 2.23 | 5.94 | 2.26 | 5.89 | 2.26 | 5.83 | 2.26 | 5.72 | 2.28 |
| | -10 | 5.27 | 2.12 | 5.16 | 2.13 | 5.05 | 2.15 | 4.99 | 2.16 | 4.94 | 2.16 | 4.83 | 2.17 |
| | -15 | 4.37 | 2.02 | 4.26 | 2.03 | 4.16 | 2.05 | 4.10 | 2.06 | 4.05 | 2.06 | 3.94 | 2.07 |
| 22+10 | 15 | 10.22 | 2.86 | 10.10 | 2.87 | 9.99 | 2.90 | 9.93 | 2.91 | 9.87 | 2.91 | 9.76 | 2.93 |
| | 10 | 9.28 | 2.75 | 9.16 | 2.76 | 9.05 | 2.79 | 8.99 | 2.80 | 8.93 | 2.80 | 8.82 | 2.82 |
| | 6 | 8.53 | 2.66 | 8.41 | 2.67 | 8.30 | 2.70 | 8.24 | 2.71 | 8.18 | 2.71 | 8.07 | 2.72 |
| | 0 | 7.41 | 2.53 | 7.29 | 2.54 | 7.18 | 2.57 | 7.12 | 2.58 | 7.06 | 2.58 | 6.95 | 2.59 |
| | -5 | 6.47 | 2.42 | 6.36 | 2.43 | 6.24 | 2.46 | 6.18 | 2.46 | 6.13 | 2.46 | 6.01 | 2.48 |
| | -10 | 5.53 | 2.31 | 5.42 | 2.32 | 5.30 | 2.34 | 5.24 | 2.35 | 5.19 | 2.35 | 5.07 | 2.37 |
| | -15 | 4.60 | 2.20 | 4.48 | 2.21 | 4.37 | 2.23 | 4.31 | 2.24 | 4.25 | 2.24 | 4.14 | 2.25 |
| 24+10 | 15 | 10.58 | 3.03 | 10.47 | 3.04 | 10.35 | 3.08 | 10.29 | 3.08 | 10.23 | 3.08 | 10.11 | 3.10 |
| | 10 | 9.61 | 2.91 | 9.49 | 2.93 | 9.38 | 2.96 | 9.32 | 2.97 | 9.26 | 2.97 | 9.14 | 2.98 |
| | 6 | 8.84 | 2.81 | 8.72 | 2.83 | 8.60 | 2.86 | 8.54 | 2.87 | 8.48 | 2.87 | 8.36 | 2.89 |
| | 0 | 7.67 | 2.68 | 7.56 | 2.69 | 7.44 | 2.72 | 7.38 | 2.73 | 7.32 | 2.73 | 7.20 | 2.75 |
| | -5 | 6.70 | 2.56 | 6.59 | 2.58 | 6.47 | 2.60 | 6.41 | 2.61 | 6.35 | 2.61 | 6.23 | 2.63 |
| | -10 | 5.73 | 2.44 | 5.61 | 2.46 | 5.50 | 2.48 | 5.43 | 2.49 | 5.37 | 2.49 | 5.26 | 2.51 |
| | -15 | 4.76 | 2.33 | 4.64 | 2.34 | 4.53 | 2.37 | 4.46 | 2.37 | 4.40 | 2.37 | 4.29 | 2.39 |
| 13+13 | 15 | 9.72 | 2.62 | 9.61 | 2.64 | 9.50 | 2.67 | 9.45 | 2.67 | 9.40 | 2.67 | 9.29 | 2.69 |
| | 10 | 8.83 | 2.52 | 8.72 | 2.54 | 8.61 | 2.56 | 8.56 | 2.57 | 8.50 | 2.57 | 8.39 | 2.59 |
| | 6 | 8.12 | 2.44 | 8.01 | 2.46 | 7.90 | 2.48 | 7.84 | 2.49 | 7.79 | 2.49 | 7.68 | 2.50 |
| | 0 | 7.05 | 2.32 | 6.94 | 2.34 | 6.83 | 2.36 | 6.78 | 2.37 | 6.72 | 2.37 | 6.61 | 2.38 |
| | -5 | 6.16 | 2.22 | 6.05 | 2.23 | 5.94 | 2.26 | 5.89 | 2.26 | 5.83 | 2.26 | 5.72 | 2.28 |
| | -10 | 5.27 | 2.12 | 5.16 | 2.13 | 5.05 | 2.15 | 4.99 | 2.16 | 4.94 | 2.16 | 4.83 | 2.17 |
| | -15 | 4.37 | 2.02 | 4.26 | 2.03 | 4.16 | 2.05 | 4.10 | 2.06 | 4.05 | 2.06 | 3.94 | 2.07 |
| 16+13 | 15 | 10.22 | 2.86 | 10.10 | 2.87 | 9.99 | 2.90 | 9.93 | 2.91 | 9.87 | 2.91 | 9.76 | 2.93 |
| | 10 | 9.28 | 2.75 | 9.16 | 2.76 | 9.05 | 2.79 | 8.99 | 2.80 | 8.93 | 2.80 | 8.82 | 2.82 |
| | 6 | 8.53 | 2.66 | 8.41 | 2.67 | 8.30 | 2.70 | 8.24 | 2.71 | 8.18 | 2.71 | 8.07 | 2.72 |
| | 0 | 7.41 | 2.53 | 7.29 | 2.54 | 7.18 | 2.57 | 7.12 | 2.58 | 7.06 | 2.58 | 6.95 | 2.59 |
| | -5 | 6.47 | 2.42 | 6.36 | 2.43 | 6.24 | 2.46 | 6.18 | 2.46 | 6.13 | 2.46 | 6.01 | 2.48 |
| | -10 | 5.53 | 2.31 | 5.42 | 2.32 | 5.30 | 2.34 | 5.24 | 2.35 | 5.19 | 2.35 | 5.07 | 2.37 |
| | -15 | 4.60 | 2.20 | 4.48 | 2.21 | 4.37 | 2.23 | 4.31 | 2.24 | 4.25 | 2.24 | 4.14 | 2.25 |
| 18+13 | 15 | 10.22 | 2.86 | 10.10 | 2.87 | 9.99 | 2.90 | 9.93 | 2.91 | 9.87 | 2.91 | 9.76 | 2.93 |
| | 10 | 9.28 | 2.75 | 9.16 | 2.76 | 9.05 | 2.79 | 8.99 | 2.80 | 8.93 | 2.80 | 8.82 | 2.82 |
| | 6 | 8.53 | 2.66 | 8.41 | 2.67 | 8.30 | 2.70 | 8.24 | 2.71 | 8.18 | 2.71 | 8.07 | 2.72 |
| | 0 | 7.41 | 2.53 | 7.29 | 2.54 | 7.18 | 2.57 | 7.12 | 2.58 | 7.06 | 2.58 | 6.95 | 2.59 |
| | -5 | 6.47 | 2.42 | 6.36 | 2.43 | 6.24 | 2.46 | 6.18 | 2.46 | 6.13 | 2.46 | 6.01 | 2.48 |
| | -10 | 5.53 | 2.31 | 5.42 | 2.32 | 5.30 | 2.34 | 5.24 | 2.35 | 5.19 | 2.35 | 5.07 | 2.37 |
| | -15 | 4.60 | 2.20 | 4.48 | 2.21 | 4.37 | 2.23 | 4.31 | 2.24 | 4.25 | 2.24 | 4.14 | 2.25 |

Heating

4-rooms multisplit : 2-unit operation

Indoor units : 22 type + 13 type 22 type + 16 type
 24 type + 13 type 24 type + 16 type
 16 type + 16 type 18 type + 18 type
 18 type + 16 type 22 type + 18 type

Outdoor unit : RAS-4M27U2AVG-E

| Combination (Capacity) | Outdoor air temp. [°C WB] | Indoor air temp. [°C DB] | | | | | | | | | | | |
|---------------------------|---------------------------------|--------------------------|------------|------------|------------|------------|------------|------------|------------|------------|------------|------------|------------|
| | | 16 | | 18 | | 20 | | 21 | | 22 | | 24 | |
| | | TC [kW] | PI [kW] | TC [kW] | PI [kW] | TC [kW] | PI [kW] | TC [kW] | PI [kW] | TC [kW] | PI [kW] | TC [kW] | PI [kW] |
| 22+13 | 15 | 10.58 | 3.03 | 10.47 | 3.04 | 10.35 | 3.08 | 10.29 | 3.08 | 10.23 | 3.08 | 10.11 | 3.10 |
| | 10 | 9.61 | 2.91 | 9.49 | 2.93 | 9.38 | 2.96 | 9.32 | 2.97 | 9.26 | 2.97 | 9.14 | 2.98 |
| | 6 | 8.84 | 2.81 | 8.72 | 2.83 | 8.60 | 2.86 | 8.54 | 2.87 | 8.48 | 2.87 | 8.36 | 2.89 |
| | 0 | 7.67 | 2.68 | 7.56 | 2.69 | 7.44 | 2.72 | 7.38 | 2.73 | 7.32 | 2.73 | 7.20 | 2.75 |
| | -5 | 6.70 | 2.56 | 6.59 | 2.58 | 6.47 | 2.60 | 6.41 | 2.61 | 6.35 | 2.61 | 6.23 | 2.63 |
| | -10 | 5.73 | 2.44 | 5.61 | 2.46 | 5.50 | 2.48 | 5.43 | 2.49 | 5.37 | 2.49 | 5.26 | 2.51 |
| | -15 | 4.76 | 2.33 | 4.64 | 2.34 | 4.53 | 2.37 | 4.46 | 2.37 | 4.40 | 2.37 | 4.29 | 2.39 |
| 24+13 | 15 | 10.58 | 3.03 | 10.47 | 3.04 | 10.35 | 3.08 | 10.29 | 3.08 | 10.23 | 3.08 | 10.11 | 3.10 |
| | 10 | 9.61 | 2.91 | 9.49 | 2.93 | 9.38 | 2.96 | 9.32 | 2.97 | 9.26 | 2.97 | 9.14 | 2.98 |
| | 6 | 8.84 | 2.81 | 8.72 | 2.83 | 8.60 | 2.86 | 8.54 | 2.87 | 8.48 | 2.87 | 8.36 | 2.89 |
| | 0 | 7.67 | 2.68 | 7.56 | 2.69 | 7.44 | 2.72 | 7.38 | 2.73 | 7.32 | 2.73 | 7.20 | 2.75 |
| | -5 | 6.70 | 2.56 | 6.59 | 2.58 | 6.47 | 2.60 | 6.41 | 2.61 | 6.35 | 2.61 | 6.23 | 2.63 |
| | -10 | 5.73 | 2.44 | 5.61 | 2.46 | 5.50 | 2.48 | 5.43 | 2.49 | 5.37 | 2.49 | 5.26 | 2.51 |
| | -15 | 4.76 | 2.33 | 4.64 | 2.34 | 4.53 | 2.37 | 4.46 | 2.37 | 4.40 | 2.37 | 4.29 | 2.39 |
| 16+16 | 15 | 10.58 | 3.03 | 10.47 | 3.04 | 10.35 | 3.08 | 10.29 | 3.08 | 10.23 | 3.08 | 10.11 | 3.10 |
| | 10 | 9.61 | 2.91 | 9.49 | 2.93 | 9.38 | 2.96 | 9.32 | 2.97 | 9.26 | 2.97 | 9.14 | 2.98 |
| | 6 | 8.84 | 2.81 | 8.72 | 2.83 | 8.60 | 2.86 | 8.54 | 2.87 | 8.48 | 2.87 | 8.36 | 2.89 |
| | 0 | 7.67 | 2.68 | 7.56 | 2.69 | 7.44 | 2.72 | 7.38 | 2.73 | 7.32 | 2.73 | 7.20 | 2.75 |
| | -5 | 6.70 | 2.56 | 6.59 | 2.58 | 6.47 | 2.60 | 6.41 | 2.61 | 6.35 | 2.61 | 6.23 | 2.63 |
| | -10 | 5.73 | 2.44 | 5.61 | 2.46 | 5.50 | 2.48 | 5.43 | 2.49 | 5.37 | 2.49 | 5.26 | 2.51 |
| | -15 | 4.76 | 2.33 | 4.64 | 2.34 | 4.53 | 2.37 | 4.46 | 2.37 | 4.40 | 2.37 | 4.29 | 2.39 |
| 18+16 | 15 | 10.58 | 3.03 | 10.47 | 3.04 | 10.35 | 3.08 | 10.29 | 3.08 | 10.23 | 3.08 | 10.11 | 3.10 |
| | 10 | 9.61 | 2.91 | 9.49 | 2.93 | 9.38 | 2.96 | 9.32 | 2.97 | 9.26 | 2.97 | 9.14 | 2.98 |
| | 6 | 8.84 | 2.81 | 8.72 | 2.83 | 8.60 | 2.86 | 8.54 | 2.87 | 8.48 | 2.87 | 8.36 | 2.89 |
| | 0 | 7.67 | 2.68 | 7.56 | 2.69 | 7.44 | 2.72 | 7.38 | 2.73 | 7.32 | 2.73 | 7.20 | 2.75 |
| | -5 | 6.70 | 2.56 | 6.59 | 2.58 | 6.47 | 2.60 | 6.41 | 2.61 | 6.35 | 2.61 | 6.23 | 2.63 |
| | -10 | 5.73 | 2.44 | 5.61 | 2.46 | 5.50 | 2.48 | 5.43 | 2.49 | 5.37 | 2.49 | 5.26 | 2.51 |
| | -15 | 4.76 | 2.33 | 4.64 | 2.34 | 4.53 | 2.37 | 4.46 | 2.37 | 4.40 | 2.37 | 4.29 | 2.39 |
| 22+16 | 15 | 10.58 | 3.03 | 10.47 | 3.04 | 10.35 | 3.08 | 10.29 | 3.08 | 10.23 | 3.08 | 10.11 | 3.10 |
| | 10 | 9.61 | 2.91 | 9.49 | 2.93 | 9.38 | 2.96 | 9.32 | 2.97 | 9.26 | 2.97 | 9.14 | 2.98 |
| | 6 | 8.84 | 2.81 | 8.72 | 2.83 | 8.60 | 2.86 | 8.54 | 2.87 | 8.48 | 2.87 | 8.36 | 2.89 |
| | 0 | 7.67 | 2.68 | 7.56 | 2.69 | 7.44 | 2.72 | 7.38 | 2.73 | 7.32 | 2.73 | 7.20 | 2.75 |
| | -5 | 6.70 | 2.56 | 6.59 | 2.58 | 6.47 | 2.60 | 6.41 | 2.61 | 6.35 | 2.61 | 6.23 | 2.63 |
| | -10 | 5.73 | 2.44 | 5.61 | 2.46 | 5.50 | 2.48 | 5.43 | 2.49 | 5.37 | 2.49 | 5.26 | 2.51 |
| | -15 | 4.76 | 2.33 | 4.64 | 2.34 | 4.53 | 2.37 | 4.46 | 2.37 | 4.40 | 2.37 | 4.29 | 2.39 |
| 24+16 | 15 | 10.58 | 3.03 | 10.47 | 3.04 | 10.35 | 3.08 | 10.29 | 3.08 | 10.23 | 3.08 | 10.11 | 3.10 |
| | 10 | 9.61 | 2.91 | 9.49 | 2.93 | 9.38 | 2.96 | 9.32 | 2.97 | 9.26 | 2.97 | 9.14 | 2.98 |
| | 6 | 8.84 | 2.81 | 8.72 | 2.83 | 8.60 | 2.86 | 8.54 | 2.87 | 8.48 | 2.87 | 8.36 | 2.89 |
| | 0 | 7.67 | 2.68 | 7.56 | 2.69 | 7.44 | 2.72 | 7.38 | 2.73 | 7.32 | 2.73 | 7.20 | 2.75 |
| | -5 | 6.70 | 2.56 | 6.59 | 2.58 | 6.47 | 2.60 | 6.41 | 2.61 | 6.35 | 2.61 | 6.23 | 2.63 |
| | -10 | 5.73 | 2.44 | 5.61 | 2.46 | 5.50 | 2.48 | 5.43 | 2.49 | 5.37 | 2.49 | 5.26 | 2.51 |
| | -15 | 4.76 | 2.33 | 4.64 | 2.34 | 4.53 | 2.37 | 4.46 | 2.37 | 4.40 | 2.37 | 4.29 | 2.39 |
| 18+18 | 15 | 10.58 | 3.03 | 10.47 | 3.04 | 10.35 | 3.08 | 10.29 | 3.08 | 10.23 | 3.08 | 10.11 | 3.10 |
| | 10 | 9.61 | 2.91 | 9.49 | 2.93 | 9.38 | 2.96 | 9.32 | 2.97 | 9.26 | 2.97 | 9.14 | 2.98 |
| | 6 | 8.84 | 2.81 | 8.72 | 2.83 | 8.60 | 2.86 | 8.54 | 2.87 | 8.48 | 2.87 | 8.36 | 2.89 |
| | 0 | 7.67 | 2.68 | 7.56 | 2.69 | 7.44 | 2.72 | 7.38 | 2.73 | 7.32 | 2.73 | 7.20 | 2.75 |
| | -5 | 6.70 | 2.56 | 6.59 | 2.58 | 6.47 | 2.60 | 6.41 | 2.61 | 6.35 | 2.61 | 6.23 | 2.63 |
| | -10 | 5.73 | 2.44 | 5.61 | 2.46 | 5.50 | 2.48 | 5.43 | 2.49 | 5.37 | 2.49 | 5.26 | 2.51 |
| | -15 | 4.76 | 2.33 | 4.64 | 2.34 | 4.53 | 2.37 | 4.46 | 2.37 | 4.40 | 2.37 | 4.29 | 2.39 |
| 22+18 | 15 | 10.58 | 3.03 | 10.47 | 3.04 | 10.35 | 3.08 | 10.29 | 3.08 | 10.23 | 3.08 | 10.11 | 3.10 |
| | 10 | 9.61 | 2.91 | 9.49 | 2.93 | 9.38 | 2.96 | 9.32 | 2.97 | 9.26 | 2.97 | 9.14 | 2.98 |
| | 6 | 8.84 | 2.81 | 8.72 | 2.83 | 8.60 | 2.86 | 8.54 | 2.87 | 8.48 | 2.87 | 8.36 | 2.89 |
| | 0 | 7.67 | 2.68 | 7.56 | 2.69 | 7.44 | 2.72 | 7.38 | 2.73 | 7.32 | 2.73 | 7.20 | 2.75 |
| | -5 | 6.70 | 2.56 | 6.59 | 2.58 | 6.47 | 2.60 | 6.41 | 2.61 | 6.35 | 2.61 | 6.23 | 2.63 |
| | -10 | 5.73 | 2.44 | 5.61 | 2.46 | 5.50 | 2.48 | 5.43 | 2.49 | 5.37 | 2.49 | 5.26 | 2.51 |
| | -15 | 4.76 | 2.33 | 4.64 | 2.34 | 4.53 | 2.37 | 4.46 | 2.37 | 4.40 | 2.37 | 4.29 | 2.39 |

Heating

4-rooms multisplit : 2 - unit operation

Indoor units : 24 type + 18 type

Outdoor unit : RAS-4M27U2AVG-E

| Combination (Capacity) | Outdoor air temp. [°C WB] | Indoor air temp. [°C DB] | | | | | | | | | | | |
|---------------------------|---------------------------------|--------------------------|------------|------------|------------|------------|------------|------------|------------|------------|------------|------------|------------|
| | | 16 | | 18 | | 20 | | 21 | | 22 | | 24 | |
| | | TC [kW] | PI [kW] | TC [kW] | PI [kW] | TC [kW] | PI [kW] | TC [kW] | PI [kW] | TC [kW] | PI [kW] | TC [kW] | PI [kW] |
| 24+18 | 15 | 10.58 | 3.03 | 10.47 | 3.04 | 10.35 | 3.08 | 10.29 | 3.08 | 10.23 | 3.08 | 10.11 | 3.10 |
| | 10 | 9.61 | 2.91 | 9.49 | 2.93 | 9.38 | 2.96 | 9.32 | 2.97 | 9.26 | 2.97 | 9.14 | 2.98 |
| | 6 | 8.84 | 2.81 | 8.72 | 2.83 | 8.60 | 2.86 | 8.54 | 2.87 | 8.48 | 2.87 | 8.36 | 2.89 |
| | 0 | 7.67 | 2.68 | 7.56 | 2.69 | 7.44 | 2.72 | 7.38 | 2.73 | 7.32 | 2.73 | 7.20 | 2.75 |
| | -5 | 6.70 | 2.56 | 6.59 | 2.58 | 6.47 | 2.60 | 6.41 | 2.61 | 6.35 | 2.61 | 6.23 | 2.63 |
| | -10 | 5.73 | 2.44 | 5.61 | 2.46 | 5.50 | 2.48 | 5.43 | 2.49 | 5.37 | 2.49 | 5.26 | 2.51 |
| | -15 | 4.76 | 2.33 | 4.64 | 2.34 | 4.53 | 2.37 | 4.46 | 2.37 | 4.40 | 2.37 | 4.29 | 2.39 |

Heating

4 - rooms multisplit : 3 - unit operation

Indoor units : 05 type + 05 type + 05 type 16 type + 05 type + 05 type
 07 type + 05 type + 05 type 18 type + 05 type + 05 type
 10 type + 05 type + 05 type 22 type + 05 type + 05 type
 13 type + 05 type + 05 type 24 type + 05 type + 05 type

Outdoor unit : RAS-4M27U2AVG-E

| Combination (Capacity) | Outdoor air temp. [°C WB] | Indoor air temp. [°C DB] | | | | | | | | | | | |
|---------------------------|---------------------------------|--------------------------|------------|------------|------------|------------|------------|------------|------------|------------|------------|------------|------------|
| | | 16 | | 18 | | 20 | | 21 | | 22 | | 24 | |
| | | TC [kW] | PI [kW] | TC [kW] | PI [kW] | TC [kW] | PI [kW] | TC [kW] | PI [kW] | TC [kW] | PI [kW] | TC [kW] | PI [kW] |
| 05+05+05 | 15 | 7.38 | 1.55 | 7.30 | 1.56 | 7.22 | 1.58 | 7.18 | 1.59 | 7.14 | 1.59 | 7.05 | 1.60 |
| | 10 | 6.71 | 1.50 | 6.62 | 1.50 | 6.54 | 1.52 | 6.50 | 1.52 | 6.46 | 1.52 | 6.37 | 1.53 |
| | 6 | 6.17 | 1.45 | 6.08 | 1.46 | 6.00 | 1.47 | 5.96 | 1.47 | 5.92 | 1.47 | 5.83 | 1.48 |
| | 0 | 5.35 | 1.38 | 5.27 | 1.38 | 5.19 | 1.40 | 5.15 | 1.40 | 5.11 | 1.40 | 5.02 | 1.41 |
| | -5 | 4.68 | 1.32 | 4.59 | 1.32 | 4.51 | 1.34 | 4.47 | 1.34 | 4.43 | 1.34 | 4.35 | 1.35 |
| | -10 | 4.00 | 1.26 | 3.92 | 1.26 | 3.83 | 1.28 | 3.79 | 1.28 | 3.75 | 1.28 | 3.67 | 1.29 |
| | -15 | 3.32 | 1.20 | 3.24 | 1.20 | 3.16 | 1.22 | 3.11 | 1.22 | 3.07 | 1.22 | 2.99 | 1.23 |
| 07+05+05 | 15 | 8.25 | 1.75 | 8.15 | 1.76 | 8.06 | 1.77 | 8.02 | 1.78 | 7.97 | 1.78 | 7.88 | 1.79 |
| | 10 | 7.49 | 1.68 | 7.40 | 1.69 | 7.30 | 1.71 | 7.26 | 1.71 | 7.21 | 1.71 | 7.12 | 1.72 |
| | 6 | 6.88 | 1.62 | 6.79 | 1.63 | 6.70 | 1.65 | 6.65 | 1.65 | 6.61 | 1.65 | 6.51 | 1.67 |
| | 0 | 5.98 | 1.54 | 5.89 | 1.55 | 5.79 | 1.57 | 5.75 | 1.57 | 5.70 | 1.57 | 5.61 | 1.58 |
| | -5 | 5.22 | 1.48 | 5.13 | 1.49 | 5.04 | 1.50 | 4.99 | 1.51 | 4.95 | 1.51 | 4.85 | 1.52 |
| | -10 | 4.47 | 1.41 | 4.37 | 1.42 | 4.28 | 1.43 | 4.23 | 1.44 | 4.19 | 1.44 | 4.09 | 1.45 |
| | -15 | 3.71 | 1.34 | 3.62 | 1.35 | 3.53 | 1.36 | 3.48 | 1.37 | 3.43 | 1.37 | 3.34 | 1.38 |
| 10+05+05 | 15 | 9.85 | 2.22 | 9.74 | 2.24 | 9.62 | 2.26 | 9.57 | 2.26 | 9.52 | 2.26 | 9.41 | 2.28 |
| | 10 | 8.94 | 2.14 | 8.83 | 2.15 | 8.72 | 2.17 | 8.67 | 2.18 | 8.61 | 2.18 | 8.50 | 2.19 |
| | 6 | 8.22 | 2.07 | 8.11 | 2.08 | 8.00 | 2.10 | 7.94 | 2.11 | 7.89 | 2.11 | 7.78 | 2.12 |
| | 0 | 7.14 | 1.96 | 7.03 | 1.98 | 6.92 | 2.00 | 6.86 | 2.00 | 6.81 | 2.00 | 6.70 | 2.02 |
| | -5 | 6.24 | 1.88 | 6.13 | 1.89 | 6.01 | 1.91 | 5.96 | 1.92 | 5.91 | 1.92 | 5.80 | 1.93 |
| | -10 | 5.33 | 1.79 | 5.22 | 1.81 | 5.11 | 1.82 | 5.06 | 1.83 | 5.00 | 1.83 | 4.89 | 1.84 |
| | -15 | 4.43 | 1.71 | 4.32 | 1.72 | 4.21 | 1.74 | 4.15 | 1.74 | 4.10 | 1.74 | 3.99 | 1.75 |
| 13+05+05 | 15 | 10.46 | 2.38 | 10.34 | 2.40 | 10.23 | 2.42 | 10.17 | 2.43 | 10.11 | 2.43 | 9.99 | 2.44 |
| | 10 | 9.50 | 2.29 | 9.38 | 2.30 | 9.27 | 2.33 | 9.21 | 2.33 | 9.15 | 2.33 | 9.03 | 2.35 |
| | 6 | 8.73 | 2.21 | 8.62 | 2.23 | 8.50 | 2.25 | 8.44 | 2.26 | 8.38 | 2.26 | 8.26 | 2.27 |
| | 0 | 7.58 | 2.11 | 7.47 | 2.12 | 7.35 | 2.14 | 7.29 | 2.15 | 7.23 | 2.15 | 7.12 | 2.16 |
| | -5 | 6.63 | 2.01 | 6.51 | 2.03 | 6.39 | 2.05 | 6.33 | 2.05 | 6.27 | 2.05 | 6.16 | 2.07 |
| | -10 | 5.67 | 1.92 | 5.55 | 1.93 | 5.43 | 1.95 | 5.37 | 1.96 | 5.31 | 1.96 | 5.19 | 1.97 |
| | -15 | 4.71 | 1.83 | 4.59 | 1.84 | 4.47 | 1.86 | 4.41 | 1.87 | 4.35 | 1.87 | 4.24 | 1.88 |
| 16+05+05 | 15 | 10.46 | 2.49 | 10.34 | 2.50 | 10.23 | 2.53 | 10.17 | 2.53 | 10.11 | 2.53 | 9.99 | 2.55 |
| | 10 | 9.50 | 2.39 | 9.38 | 2.41 | 9.27 | 2.43 | 9.21 | 2.44 | 9.15 | 2.44 | 9.03 | 2.45 |
| | 6 | 8.73 | 2.31 | 8.62 | 2.33 | 8.50 | 2.35 | 8.44 | 2.36 | 8.38 | 2.36 | 8.26 | 2.37 |
| | 0 | 7.58 | 2.20 | 7.47 | 2.21 | 7.35 | 2.24 | 7.29 | 2.24 | 7.23 | 2.24 | 7.12 | 2.26 |
| | -5 | 6.63 | 2.10 | 6.51 | 2.12 | 6.39 | 2.14 | 6.33 | 2.14 | 6.27 | 2.14 | 6.16 | 2.16 |
| | -10 | 5.67 | 2.01 | 5.55 | 2.02 | 5.43 | 2.04 | 5.37 | 2.05 | 5.31 | 2.05 | 5.19 | 2.06 |
| | -15 | 4.71 | 1.91 | 4.59 | 1.92 | 4.47 | 1.94 | 4.41 | 1.95 | 4.35 | 1.95 | 4.24 | 1.96 |
| 18+05+05 | 15 | 10.46 | 2.49 | 10.34 | 2.50 | 10.23 | 2.53 | 10.17 | 2.53 | 10.11 | 2.53 | 9.99 | 2.55 |
| | 10 | 9.50 | 2.39 | 9.38 | 2.41 | 9.27 | 2.43 | 9.21 | 2.44 | 9.15 | 2.44 | 9.03 | 2.45 |
| | 6 | 8.73 | 2.31 | 8.62 | 2.33 | 8.50 | 2.35 | 8.44 | 2.36 | 8.38 | 2.36 | 8.26 | 2.37 |
| | 0 | 7.58 | 2.20 | 7.47 | 2.21 | 7.35 | 2.24 | 7.29 | 2.24 | 7.23 | 2.24 | 7.12 | 2.26 |
| | -5 | 6.63 | 2.10 | 6.51 | 2.12 | 6.39 | 2.14 | 6.33 | 2.14 | 6.27 | 2.14 | 6.16 | 2.16 |
| | -10 | 5.67 | 2.01 | 5.55 | 2.02 | 5.43 | 2.04 | 5.37 | 2.05 | 5.31 | 2.05 | 5.19 | 2.06 |
| | -15 | 4.71 | 1.91 | 4.59 | 1.92 | 4.47 | 1.94 | 4.41 | 1.95 | 4.35 | 1.95 | 4.24 | 1.96 |
| 22+05+05 | 15 | 10.83 | 2.59 | 10.71 | 2.61 | 10.59 | 2.63 | 10.53 | 2.64 | 10.47 | 2.64 | 10.35 | 2.66 |
| | 10 | 9.84 | 2.49 | 9.71 | 2.51 | 9.59 | 2.53 | 9.53 | 2.54 | 9.47 | 2.54 | 9.35 | 2.56 |
| | 6 | 9.04 | 2.41 | 8.92 | 2.43 | 8.80 | 2.45 | 8.74 | 2.46 | 8.68 | 2.46 | 8.55 | 2.47 |
| | 0 | 7.85 | 2.29 | 7.73 | 2.31 | 7.61 | 2.33 | 7.55 | 2.34 | 7.49 | 2.34 | 7.37 | 2.35 |
| | -5 | 6.86 | 2.19 | 6.74 | 2.21 | 6.62 | 2.23 | 6.56 | 2.24 | 6.50 | 2.24 | 6.37 | 2.25 |
| | -10 | 5.87 | 2.09 | 5.74 | 2.11 | 5.62 | 2.13 | 5.56 | 2.13 | 5.50 | 2.13 | 5.38 | 2.15 |
| | -15 | 4.87 | 1.99 | 4.75 | 2.01 | 4.63 | 2.03 | 4.57 | 2.03 | 4.51 | 2.03 | 4.39 | 2.05 |
| 24+05+05 | 15 | 10.83 | 2.59 | 10.71 | 2.61 | 10.59 | 2.63 | 10.53 | 2.64 | 10.47 | 2.64 | 10.35 | 2.66 |
| | 10 | 9.84 | 2.49 | 9.71 | 2.51 | 9.59 | 2.53 | 9.53 | 2.54 | 9.47 | 2.54 | 9.35 | 2.56 |
| | 6 | 9.04 | 2.41 | 8.92 | 2.43 | 8.80 | 2.45 | 8.74 | 2.46 | 8.68 | 2.46 | 8.55 | 2.47 |
| | 0 | 7.85 | 2.29 | 7.73 | 2.31 | 7.61 | 2.33 | 7.55 | 2.34 | 7.49 | 2.34 | 7.37 | 2.35 |
| | -5 | 6.86 | 2.19 | 6.74 | 2.21 | 6.62 | 2.23 | 6.56 | 2.24 | 6.50 | 2.24 | 6.37 | 2.25 |
| | -10 | 5.87 | 2.09 | 5.74 | 2.11 | 5.62 | 2.13 | 5.56 | 2.13 | 5.50 | 2.13 | 5.38 | 2.15 |
| | -15 | 4.87 | 1.99 | 4.75 | 2.01 | 4.63 | 2.03 | 4.57 | 2.03 | 4.51 | 2.03 | 4.39 | 2.05 |

Heating

4 - rooms multisplit : 3 - unit operation

Indoor units : 07 type + 07 type + 05 type 18 type + 07 type + 05 type
 10 type + 07 type + 05 type 22 type + 07 type + 05 type
 13 type + 07 type + 05 type 24 type + 07 type + 05 type
 16 type + 07 type + 05 type 10 type + 10 type + 05 type

Outdoor unit : RAS-4M27U2AVG-E

| Combination (Capacity) | Outdoor air temp. [°C WB] | Indoor air temp. [°C DB] | | | | | | | | | | | |
|---------------------------|---------------------------------|--------------------------|------------|------------|------------|------------|------------|------------|------------|------------|------------|------------|------------|
| | | 16 | | 18 | | 20 | | 21 | | 22 | | 24 | |
| | | TC [kW] | PI [kW] | TC [kW] | PI [kW] | TC [kW] | PI [kW] | TC [kW] | PI [kW] | TC [kW] | PI [kW] | TC [kW] | PI [kW] |
| 07+07+05 | 15 | 9.11 | 2.06 | 9.01 | 2.08 | 8.90 | 2.10 | 8.85 | 2.10 | 8.80 | 2.10 | 8.70 | 2.12 |
| | 10 | 8.27 | 1.98 | 8.17 | 2.00 | 8.07 | 2.02 | 8.02 | 2.02 | 7.96 | 2.02 | 7.86 | 2.03 |
| | 6 | 7.60 | 1.92 | 7.50 | 1.93 | 7.40 | 1.95 | 7.35 | 1.96 | 7.30 | 1.96 | 7.19 | 1.97 |
| | 0 | 6.60 | 1.82 | 6.50 | 1.84 | 6.40 | 1.85 | 6.35 | 1.86 | 6.30 | 1.86 | 6.20 | 1.87 |
| | -5 | 5.77 | 1.75 | 5.67 | 1.76 | 5.56 | 1.77 | 5.51 | 1.78 | 5.46 | 1.78 | 5.36 | 1.79 |
| | -10 | 4.93 | 1.67 | 4.83 | 1.68 | 4.73 | 1.69 | 4.68 | 1.70 | 4.62 | 1.70 | 4.52 | 1.71 |
| | -15 | 4.10 | 1.59 | 3.99 | 1.60 | 3.89 | 1.61 | 3.84 | 1.62 | 3.79 | 1.62 | 3.69 | 1.63 |
| 10+07+05 | 15 | 10.71 | 2.43 | 10.59 | 2.45 | 10.47 | 2.47 | 10.41 | 2.48 | 10.35 | 2.48 | 10.23 | 2.50 |
| | 10 | 9.72 | 2.34 | 9.60 | 2.35 | 9.49 | 2.38 | 9.42 | 2.38 | 9.36 | 2.38 | 9.24 | 2.40 |
| | 6 | 8.94 | 2.26 | 8.82 | 2.28 | 8.70 | 2.30 | 8.64 | 2.31 | 8.58 | 2.31 | 8.46 | 2.32 |
| | 0 | 7.76 | 2.15 | 7.64 | 2.17 | 7.52 | 2.19 | 7.46 | 2.19 | 7.40 | 2.19 | 7.28 | 2.21 |
| | -5 | 6.78 | 2.06 | 6.66 | 2.07 | 6.54 | 2.09 | 6.48 | 2.10 | 6.42 | 2.10 | 6.30 | 2.11 |
| | -10 | 5.80 | 1.96 | 5.68 | 1.98 | 5.56 | 2.00 | 5.50 | 2.00 | 5.44 | 2.00 | 5.32 | 2.02 |
| | -15 | 4.82 | 1.87 | 4.70 | 1.88 | 4.58 | 1.90 | 4.52 | 1.91 | 4.46 | 1.91 | 4.34 | 1.92 |
| 13+07+05 | 15 | 10.71 | 2.54 | 10.59 | 2.56 | 10.47 | 2.58 | 10.41 | 2.59 | 10.35 | 2.59 | 10.23 | 2.60 |
| | 10 | 9.72 | 2.44 | 9.60 | 2.46 | 9.49 | 2.48 | 9.42 | 2.49 | 9.36 | 2.49 | 9.24 | 2.50 |
| | 6 | 8.94 | 2.36 | 8.82 | 2.38 | 8.70 | 2.40 | 8.64 | 2.41 | 8.58 | 2.41 | 8.46 | 2.42 |
| | 0 | 7.76 | 2.25 | 7.64 | 2.26 | 7.52 | 2.28 | 7.46 | 2.29 | 7.40 | 2.29 | 7.28 | 2.30 |
| | -5 | 6.78 | 2.15 | 6.66 | 2.16 | 6.54 | 2.18 | 6.48 | 2.19 | 6.42 | 2.19 | 6.30 | 2.20 |
| | -10 | 5.80 | 2.05 | 5.68 | 2.06 | 5.56 | 2.08 | 5.50 | 2.09 | 5.44 | 2.09 | 5.32 | 2.10 |
| | -15 | 4.82 | 1.95 | 4.70 | 1.97 | 4.58 | 1.99 | 4.52 | 1.99 | 4.46 | 1.99 | 4.34 | 2.00 |
| 16+07+05 | 15 | 10.46 | 2.49 | 10.34 | 2.50 | 10.23 | 2.53 | 10.17 | 2.53 | 10.11 | 2.53 | 9.99 | 2.55 |
| | 10 | 9.50 | 2.39 | 9.38 | 2.41 | 9.27 | 2.43 | 9.21 | 2.44 | 9.15 | 2.44 | 9.03 | 2.45 |
| | 6 | 8.73 | 2.31 | 8.62 | 2.33 | 8.50 | 2.35 | 8.44 | 2.36 | 8.38 | 2.36 | 8.26 | 2.37 |
| | 0 | 7.58 | 2.20 | 7.47 | 2.21 | 7.35 | 2.24 | 7.29 | 2.24 | 7.23 | 2.24 | 7.12 | 2.26 |
| | -5 | 6.63 | 2.10 | 6.51 | 2.12 | 6.39 | 2.14 | 6.33 | 2.14 | 6.27 | 2.14 | 6.16 | 2.16 |
| | -10 | 5.67 | 2.01 | 5.55 | 2.02 | 5.43 | 2.04 | 5.37 | 2.05 | 5.31 | 2.05 | 5.19 | 2.06 |
| | -15 | 4.71 | 1.91 | 4.59 | 1.92 | 4.47 | 1.94 | 4.41 | 1.95 | 4.35 | 1.95 | 4.24 | 1.96 |
| 18+07+05 | 15 | 10.46 | 2.54 | 10.34 | 2.56 | 10.23 | 2.58 | 10.17 | 2.59 | 10.11 | 2.59 | 9.99 | 2.60 |
| | 10 | 9.50 | 2.44 | 9.38 | 2.46 | 9.27 | 2.48 | 9.21 | 2.49 | 9.15 | 2.49 | 9.03 | 2.50 |
| | 6 | 8.73 | 2.36 | 8.62 | 2.38 | 8.50 | 2.40 | 8.44 | 2.41 | 8.38 | 2.41 | 8.26 | 2.42 |
| | 0 | 7.58 | 2.25 | 7.47 | 2.26 | 7.35 | 2.28 | 7.29 | 2.29 | 7.23 | 2.29 | 7.12 | 2.30 |
| | -5 | 6.63 | 2.15 | 6.51 | 2.16 | 6.39 | 2.18 | 6.33 | 2.19 | 6.27 | 2.19 | 6.16 | 2.20 |
| | -10 | 5.67 | 2.05 | 5.55 | 2.06 | 5.43 | 2.08 | 5.37 | 2.09 | 5.31 | 2.09 | 5.19 | 2.10 |
| | -15 | 4.71 | 1.95 | 4.59 | 1.97 | 4.47 | 1.99 | 4.41 | 1.99 | 4.35 | 1.99 | 4.24 | 2.00 |
| 22+07+05 | 15 | 10.46 | 2.59 | 10.34 | 2.61 | 10.23 | 2.63 | 10.17 | 2.64 | 10.11 | 2.64 | 9.99 | 2.66 |
| | 10 | 9.50 | 2.49 | 9.38 | 2.51 | 9.27 | 2.53 | 9.21 | 2.54 | 9.15 | 2.54 | 9.03 | 2.56 |
| | 6 | 8.73 | 2.41 | 8.62 | 2.43 | 8.50 | 2.45 | 8.44 | 2.46 | 8.38 | 2.46 | 8.26 | 2.47 |
| | 0 | 7.58 | 2.29 | 7.47 | 2.31 | 7.35 | 2.33 | 7.29 | 2.34 | 7.23 | 2.34 | 7.12 | 2.35 |
| | -5 | 6.63 | 2.19 | 6.51 | 2.21 | 6.39 | 2.23 | 6.33 | 2.24 | 6.27 | 2.24 | 6.16 | 2.25 |
| | -10 | 5.67 | 2.09 | 5.55 | 2.11 | 5.43 | 2.13 | 5.37 | 2.13 | 5.31 | 2.13 | 5.19 | 2.15 |
| | -15 | 4.71 | 1.99 | 4.59 | 2.01 | 4.47 | 2.03 | 4.41 | 2.03 | 4.35 | 2.03 | 4.24 | 2.05 |
| 24+07+05 | 15 | 10.71 | 2.59 | 10.59 | 2.61 | 10.47 | 2.63 | 10.41 | 2.64 | 10.35 | 2.64 | 10.23 | 2.66 |
| | 10 | 9.72 | 2.49 | 9.60 | 2.51 | 9.49 | 2.53 | 9.42 | 2.54 | 9.36 | 2.54 | 9.24 | 2.56 |
| | 6 | 8.94 | 2.41 | 8.82 | 2.43 | 8.70 | 2.45 | 8.64 | 2.46 | 8.58 | 2.46 | 8.46 | 2.47 |
| | 0 | 7.76 | 2.29 | 7.64 | 2.31 | 7.52 | 2.33 | 7.46 | 2.34 | 7.40 | 2.34 | 7.28 | 2.35 |
| | -5 | 6.78 | 2.19 | 6.66 | 2.21 | 6.54 | 2.23 | 6.48 | 2.24 | 6.42 | 2.24 | 6.30 | 2.25 |
| | -10 | 5.80 | 2.09 | 5.68 | 2.11 | 5.56 | 2.13 | 5.50 | 2.13 | 5.44 | 2.13 | 5.32 | 2.15 |
| | -15 | 4.82 | 1.99 | 4.70 | 2.01 | 4.58 | 2.03 | 4.52 | 2.03 | 4.46 | 2.03 | 4.34 | 2.05 |
| 10+10+05 | 15 | 10.46 | 2.49 | 10.34 | 2.50 | 10.23 | 2.53 | 10.17 | 2.53 | 10.11 | 2.53 | 9.99 | 2.55 |
| | 10 | 9.50 | 2.39 | 9.38 | 2.41 | 9.27 | 2.43 | 9.21 | 2.44 | 9.15 | 2.44 | 9.03 | 2.45 |
| | 6 | 8.73 | 2.31 | 8.62 | 2.33 | 8.50 | 2.35 | 8.44 | 2.36 | 8.38 | 2.36 | 8.26 | 2.37 |
| | 0 | 7.58 | 2.20 | 7.47 | 2.21 | 7.35 | 2.24 | 7.29 | 2.24 | 7.23 | 2.24 | 7.12 | 2.26 |
| | -5 | 6.63 | 2.10 | 6.51 | 2.12 | 6.39 | 2.14 | 6.33 | 2.14 | 6.27 | 2.14 | 6.16 | 2.16 |
| | -10 | 5.67 | 2.01 | 5.55 | 2.02 | 5.43 | 2.04 | 5.37 | 2.05 | 5.31 | 2.05 | 5.19 | 2.06 |
| | -15 | 4.71 | 1.91 | 4.59 | 1.92 | 4.47 | 1.94 | 4.41 | 1.95 | 4.35 | 1.95 | 4.24 | 1.96 |

Heating

4-rooms multisplit : 3 - unit operation

Indoor units : 13 type + 10 type + 05 type 24 type + 10 type + 05 type
 16 type + 10 type + 05 type 13 type + 13 type + 05 type
 18 type + 10 type + 05 type 16 type + 13 type + 05 type
 22 type + 10 type + 05 type 18 type + 13 type + 05 type

Outdoor unit : RAS-4M27U2AVG-E

| Combination (Capacity) | Outdoor air temp. [°C WB] | Indoor air temp. [°C DB] | | | | | | | | | | | |
|---------------------------|---------------------------------|--------------------------|------------|------------|------------|------------|------------|------------|------------|------------|------------|------------|------------|
| | | 16 | | 18 | | 20 | | 21 | | 22 | | 24 | |
| | | TC [kW] | PI [kW] | TC [kW] | PI [kW] | TC [kW] | PI [kW] | TC [kW] | PI [kW] | TC [kW] | PI [kW] | TC [kW] | PI [kW] |
| 13+10+05 | 15 | 10.83 | 2.49 | 10.71 | 2.50 | 10.59 | 2.53 | 10.53 | 2.53 | 10.47 | 2.53 | 10.35 | 2.55 |
| | 10 | 9.84 | 2.39 | 9.71 | 2.41 | 9.59 | 2.43 | 9.53 | 2.44 | 9.47 | 2.44 | 9.35 | 2.45 |
| | 6 | 9.04 | 2.31 | 8.92 | 2.33 | 8.80 | 2.35 | 8.74 | 2.36 | 8.68 | 2.36 | 8.55 | 2.37 |
| | 0 | 7.85 | 2.20 | 7.73 | 2.21 | 7.61 | 2.24 | 7.55 | 2.24 | 7.49 | 2.24 | 7.37 | 2.26 |
| | -5 | 6.86 | 2.10 | 6.74 | 2.12 | 6.62 | 2.14 | 6.56 | 2.14 | 6.50 | 2.14 | 6.37 | 2.16 |
| | -10 | 5.87 | 2.01 | 5.74 | 2.02 | 5.62 | 2.04 | 5.56 | 2.05 | 5.50 | 2.05 | 5.38 | 2.06 |
| | -15 | 4.87 | 1.91 | 4.75 | 1.92 | 4.63 | 1.94 | 4.57 | 1.95 | 4.51 | 1.95 | 4.39 | 1.96 |
| 16+10+05 | 15 | 10.46 | 2.49 | 10.34 | 2.50 | 10.23 | 2.53 | 10.17 | 2.53 | 10.11 | 2.53 | 9.99 | 2.55 |
| | 10 | 9.50 | 2.39 | 9.38 | 2.41 | 9.27 | 2.43 | 9.21 | 2.44 | 9.15 | 2.44 | 9.03 | 2.45 |
| | 6 | 8.73 | 2.31 | 8.62 | 2.33 | 8.50 | 2.35 | 8.44 | 2.36 | 8.38 | 2.36 | 8.26 | 2.37 |
| | 0 | 7.58 | 2.20 | 7.47 | 2.21 | 7.35 | 2.24 | 7.29 | 2.24 | 7.23 | 2.24 | 7.12 | 2.26 |
| | -5 | 6.63 | 2.10 | 6.51 | 2.12 | 6.39 | 2.14 | 6.33 | 2.14 | 6.27 | 2.14 | 6.16 | 2.16 |
| | -10 | 5.67 | 2.01 | 5.55 | 2.02 | 5.43 | 2.04 | 5.37 | 2.05 | 5.31 | 2.05 | 5.19 | 2.06 |
| | -15 | 4.71 | 1.91 | 4.59 | 1.92 | 4.47 | 1.94 | 4.41 | 1.95 | 4.35 | 1.95 | 4.24 | 1.96 |
| 18+10+05 | 15 | 10.46 | 2.49 | 10.34 | 2.50 | 10.23 | 2.53 | 10.17 | 2.53 | 10.11 | 2.53 | 9.99 | 2.55 |
| | 10 | 9.50 | 2.39 | 9.38 | 2.41 | 9.27 | 2.43 | 9.21 | 2.44 | 9.15 | 2.44 | 9.03 | 2.45 |
| | 6 | 8.73 | 2.31 | 8.62 | 2.33 | 8.50 | 2.35 | 8.44 | 2.36 | 8.38 | 2.36 | 8.26 | 2.37 |
| | 0 | 7.58 | 2.20 | 7.47 | 2.21 | 7.35 | 2.24 | 7.29 | 2.24 | 7.23 | 2.24 | 7.12 | 2.26 |
| | -5 | 6.63 | 2.10 | 6.51 | 2.12 | 6.39 | 2.14 | 6.33 | 2.14 | 6.27 | 2.14 | 6.16 | 2.16 |
| | -10 | 5.67 | 2.01 | 5.55 | 2.02 | 5.43 | 2.04 | 5.37 | 2.05 | 5.31 | 2.05 | 5.19 | 2.06 |
| | -15 | 4.71 | 1.91 | 4.59 | 1.92 | 4.47 | 1.94 | 4.41 | 1.95 | 4.35 | 1.95 | 4.24 | 1.96 |
| 22+10+05 | 15 | 10.71 | 2.49 | 10.59 | 2.50 | 10.47 | 2.53 | 10.41 | 2.53 | 10.35 | 2.53 | 10.23 | 2.55 |
| | 10 | 9.72 | 2.39 | 9.60 | 2.41 | 9.49 | 2.43 | 9.42 | 2.44 | 9.36 | 2.44 | 9.24 | 2.45 |
| | 6 | 8.94 | 2.31 | 8.82 | 2.33 | 8.70 | 2.35 | 8.64 | 2.36 | 8.58 | 2.36 | 8.46 | 2.37 |
| | 0 | 7.76 | 2.20 | 7.64 | 2.21 | 7.52 | 2.24 | 7.46 | 2.24 | 7.40 | 2.24 | 7.28 | 2.26 |
| | -5 | 6.78 | 2.10 | 6.66 | 2.12 | 6.54 | 2.14 | 6.48 | 2.14 | 6.42 | 2.14 | 6.30 | 2.16 |
| | -10 | 5.80 | 2.01 | 5.68 | 2.02 | 5.56 | 2.04 | 5.50 | 2.05 | 5.44 | 2.05 | 5.32 | 2.06 |
| | -15 | 4.82 | 1.91 | 4.70 | 1.92 | 4.58 | 1.94 | 4.52 | 1.95 | 4.46 | 1.95 | 4.34 | 1.96 |
| 24+10+05 | 15 | 10.83 | 2.49 | 10.71 | 2.50 | 10.59 | 2.53 | 10.53 | 2.53 | 10.47 | 2.53 | 10.35 | 2.55 |
| | 10 | 9.84 | 2.39 | 9.71 | 2.41 | 9.59 | 2.43 | 9.53 | 2.44 | 9.47 | 2.44 | 9.35 | 2.45 |
| | 6 | 9.04 | 2.31 | 8.92 | 2.33 | 8.80 | 2.35 | 8.74 | 2.36 | 8.68 | 2.36 | 8.55 | 2.37 |
| | 0 | 7.85 | 2.20 | 7.73 | 2.21 | 7.61 | 2.24 | 7.55 | 2.24 | 7.49 | 2.24 | 7.37 | 2.26 |
| | -5 | 6.86 | 2.10 | 6.74 | 2.12 | 6.62 | 2.14 | 6.56 | 2.14 | 6.50 | 2.14 | 6.37 | 2.16 |
| | -10 | 5.87 | 2.01 | 5.74 | 2.02 | 5.62 | 2.04 | 5.56 | 2.05 | 5.50 | 2.05 | 5.38 | 2.06 |
| | -15 | 4.87 | 1.91 | 4.75 | 1.92 | 4.63 | 1.94 | 4.57 | 1.95 | 4.51 | 1.95 | 4.39 | 1.96 |
| 13+13+05 | 15 | 10.46 | 2.49 | 10.34 | 2.50 | 10.23 | 2.53 | 10.17 | 2.53 | 10.11 | 2.53 | 9.99 | 2.55 |
| | 10 | 9.50 | 2.39 | 9.38 | 2.41 | 9.27 | 2.43 | 9.21 | 2.44 | 9.15 | 2.44 | 9.03 | 2.45 |
| | 6 | 8.73 | 2.31 | 8.62 | 2.33 | 8.50 | 2.35 | 8.44 | 2.36 | 8.38 | 2.36 | 8.26 | 2.37 |
| | 0 | 7.58 | 2.20 | 7.47 | 2.21 | 7.35 | 2.24 | 7.29 | 2.24 | 7.23 | 2.24 | 7.12 | 2.26 |
| | -5 | 6.63 | 2.10 | 6.51 | 2.12 | 6.39 | 2.14 | 6.33 | 2.14 | 6.27 | 2.14 | 6.16 | 2.16 |
| | -10 | 5.67 | 2.01 | 5.55 | 2.02 | 5.43 | 2.04 | 5.37 | 2.05 | 5.31 | 2.05 | 5.19 | 2.06 |
| | -15 | 4.71 | 1.91 | 4.59 | 1.92 | 4.47 | 1.94 | 4.41 | 1.95 | 4.35 | 1.95 | 4.24 | 1.96 |
| 16+13+05 | 15 | 10.83 | 2.49 | 10.71 | 2.50 | 10.59 | 2.53 | 10.53 | 2.53 | 10.47 | 2.53 | 10.35 | 2.55 |
| | 10 | 9.84 | 2.39 | 9.71 | 2.41 | 9.59 | 2.43 | 9.53 | 2.44 | 9.47 | 2.44 | 9.35 | 2.45 |
| | 6 | 9.04 | 2.31 | 8.92 | 2.33 | 8.80 | 2.35 | 8.74 | 2.36 | 8.68 | 2.36 | 8.55 | 2.37 |
| | 0 | 7.85 | 2.20 | 7.73 | 2.21 | 7.61 | 2.24 | 7.55 | 2.24 | 7.49 | 2.24 | 7.37 | 2.26 |
| | -5 | 6.86 | 2.10 | 6.74 | 2.12 | 6.62 | 2.14 | 6.56 | 2.14 | 6.50 | 2.14 | 6.37 | 2.16 |
| | -10 | 5.87 | 2.01 | 5.74 | 2.02 | 5.62 | 2.04 | 5.56 | 2.05 | 5.50 | 2.05 | 5.38 | 2.06 |
| | -15 | 4.87 | 1.91 | 4.75 | 1.92 | 4.63 | 1.94 | 4.57 | 1.95 | 4.51 | 1.95 | 4.39 | 1.96 |
| 18+13+05 | 15 | 10.83 | 2.49 | 10.71 | 2.50 | 10.59 | 2.53 | 10.53 | 2.53 | 10.47 | 2.53 | 10.35 | 2.55 |
| | 10 | 9.84 | 2.39 | 9.71 | 2.41 | 9.59 | 2.43 | 9.53 | 2.44 | 9.47 | 2.44 | 9.35 | 2.45 |
| | 6 | 9.04 | 2.31 | 8.92 | 2.33 | 8.80 | 2.35 | 8.74 | 2.36 | 8.68 | 2.36 | 8.55 | 2.37 |
| | 0 | 7.85 | 2.20 | 7.73 | 2.21 | 7.61 | 2.24 | 7.55 | 2.24 | 7.49 | 2.24 | 7.37 | 2.26 |
| | -5 | 6.86 | 2.10 | 6.74 | 2.12 | 6.62 | 2.14 | 6.56 | 2.14 | 6.50 | 2.14 | 6.37 | 2.16 |
| | -10 | 5.87 | 2.01 | 5.74 | 2.02 | 5.62 | 2.04 | 5.56 | 2.05 | 5.50 | 2.05 | 5.38 | 2.06 |
| | -15 | 4.87 | 1.91 | 4.75 | 1.92 | 4.63 | 1.94 | 4.57 | 1.95 | 4.51 | 1.95 | 4.39 | 1.96 |

Heating

4-rooms multisplit : 3-unit operation

Indoor units : 22type + 13type + 05type 22type + 16type + 05type
 24type + 13type + 05type 24type + 16type + 05type
 16type + 16type + 05type 18type + 18type + 05type
 18type + 16type + 05type 22type + 18type + 05type

Outdoor unit : RAS-4M27U2AVG-E

| Combination (Capacity) | Outdoor air temp. [°C WB] | Indoor air temp. [°C DB] | | | | | | | | | | | |
|---------------------------|---------------------------------|--------------------------|------------|------------|------------|------------|------------|------------|------------|------------|------------|------------|------------|
| | | 16 | | 18 | | 20 | | 21 | | 22 | | 24 | |
| | | TC [kW] | PI [kW] | TC [kW] | PI [kW] | TC [kW] | PI [kW] | TC [kW] | PI [kW] | TC [kW] | PI [kW] | TC [kW] | PI [kW] |
| 22+13+05 | 15 | 10.95 | 2.59 | 10.83 | 2.61 | 10.71 | 2.63 | 10.65 | 2.64 | 10.59 | 2.64 | 10.46 | 2.66 |
| | 10 | 9.95 | 2.49 | 9.83 | 2.51 | 9.70 | 2.53 | 9.64 | 2.54 | 9.58 | 2.54 | 9.46 | 2.56 |
| | 6 | 9.15 | 2.41 | 9.02 | 2.43 | 8.90 | 2.45 | 8.84 | 2.46 | 8.78 | 2.46 | 8.65 | 2.47 |
| | 0 | 7.94 | 2.29 | 7.82 | 2.31 | 7.70 | 2.33 | 7.64 | 2.34 | 7.57 | 2.34 | 7.45 | 2.35 |
| | -5 | 6.94 | 2.19 | 6.82 | 2.21 | 6.69 | 2.23 | 6.63 | 2.24 | 6.57 | 2.24 | 6.45 | 2.25 |
| | -10 | 5.93 | 2.09 | 5.81 | 2.11 | 5.69 | 2.13 | 5.62 | 2.13 | 5.56 | 2.13 | 5.44 | 2.15 |
| | -15 | 4.93 | 1.99 | 4.80 | 2.01 | 4.68 | 2.03 | 4.62 | 2.03 | 4.56 | 2.03 | 4.44 | 2.05 |
| 24+13+05 | 15 | 10.95 | 2.59 | 10.83 | 2.61 | 10.71 | 2.63 | 10.65 | 2.64 | 10.59 | 2.64 | 10.46 | 2.66 |
| | 10 | 9.95 | 2.49 | 9.83 | 2.51 | 9.70 | 2.53 | 9.64 | 2.54 | 9.58 | 2.54 | 9.46 | 2.56 |
| | 6 | 9.15 | 2.41 | 9.02 | 2.43 | 8.90 | 2.45 | 8.84 | 2.46 | 8.78 | 2.46 | 8.65 | 2.47 |
| | 0 | 7.94 | 2.29 | 7.82 | 2.31 | 7.70 | 2.33 | 7.64 | 2.34 | 7.57 | 2.34 | 7.45 | 2.35 |
| | -5 | 6.94 | 2.19 | 6.82 | 2.21 | 6.69 | 2.23 | 6.63 | 2.24 | 6.57 | 2.24 | 6.45 | 2.25 |
| | -10 | 5.93 | 2.09 | 5.81 | 2.11 | 5.69 | 2.13 | 5.62 | 2.13 | 5.56 | 2.13 | 5.44 | 2.15 |
| | -15 | 4.93 | 1.99 | 4.80 | 2.01 | 4.68 | 2.03 | 4.62 | 2.03 | 4.56 | 2.03 | 4.44 | 2.05 |
| 16+16+05 | 15 | 10.83 | 2.49 | 10.71 | 2.50 | 10.59 | 2.53 | 10.53 | 2.53 | 10.47 | 2.53 | 10.35 | 2.55 |
| | 10 | 9.84 | 2.39 | 9.71 | 2.41 | 9.59 | 2.43 | 9.53 | 2.44 | 9.47 | 2.44 | 9.35 | 2.45 |
| | 6 | 9.04 | 2.31 | 8.92 | 2.33 | 8.80 | 2.35 | 8.74 | 2.36 | 8.68 | 2.36 | 8.55 | 2.37 |
| | 0 | 7.85 | 2.20 | 7.73 | 2.21 | 7.61 | 2.24 | 7.55 | 2.24 | 7.49 | 2.24 | 7.37 | 2.26 |
| | -5 | 6.86 | 2.10 | 6.74 | 2.12 | 6.62 | 2.14 | 6.56 | 2.14 | 6.50 | 2.14 | 6.37 | 2.16 |
| | -10 | 5.87 | 2.01 | 5.74 | 2.02 | 5.62 | 2.04 | 5.56 | 2.05 | 5.50 | 2.05 | 5.38 | 2.06 |
| | -15 | 4.87 | 1.91 | 4.75 | 1.92 | 4.63 | 1.94 | 4.57 | 1.95 | 4.51 | 1.95 | 4.39 | 1.96 |
| 18+16+05 | 15 | 10.95 | 2.49 | 10.83 | 2.50 | 10.71 | 2.53 | 10.65 | 2.53 | 10.59 | 2.53 | 10.46 | 2.55 |
| | 10 | 9.95 | 2.39 | 9.83 | 2.41 | 9.70 | 2.43 | 9.64 | 2.44 | 9.58 | 2.44 | 9.46 | 2.45 |
| | 6 | 9.15 | 2.31 | 9.02 | 2.33 | 8.90 | 2.35 | 8.84 | 2.36 | 8.78 | 2.36 | 8.65 | 2.37 |
| | 0 | 7.94 | 2.20 | 7.82 | 2.21 | 7.70 | 2.24 | 7.64 | 2.24 | 7.57 | 2.24 | 7.45 | 2.26 |
| | -5 | 6.94 | 2.10 | 6.82 | 2.12 | 6.69 | 2.14 | 6.63 | 2.14 | 6.57 | 2.14 | 6.45 | 2.16 |
| | -10 | 5.93 | 2.01 | 5.81 | 2.02 | 5.69 | 2.04 | 5.62 | 2.05 | 5.56 | 2.05 | 5.44 | 2.06 |
| | -15 | 4.93 | 1.91 | 4.80 | 1.92 | 4.68 | 1.94 | 4.62 | 1.95 | 4.56 | 1.95 | 4.44 | 1.96 |
| 22+16+05 | 15 | 10.95 | 2.59 | 10.83 | 2.61 | 10.71 | 2.63 | 10.65 | 2.64 | 10.59 | 2.64 | 10.46 | 2.66 |
| | 10 | 9.95 | 2.49 | 9.83 | 2.51 | 9.70 | 2.53 | 9.64 | 2.54 | 9.58 | 2.54 | 9.46 | 2.56 |
| | 6 | 9.15 | 2.41 | 9.02 | 2.43 | 8.90 | 2.45 | 8.84 | 2.46 | 8.78 | 2.46 | 8.65 | 2.47 |
| | 0 | 7.94 | 2.29 | 7.82 | 2.31 | 7.70 | 2.33 | 7.64 | 2.34 | 7.57 | 2.34 | 7.45 | 2.35 |
| | -5 | 6.94 | 2.19 | 6.82 | 2.21 | 6.69 | 2.23 | 6.63 | 2.24 | 6.57 | 2.24 | 6.45 | 2.25 |
| | -10 | 5.93 | 2.09 | 5.81 | 2.11 | 5.69 | 2.13 | 5.62 | 2.13 | 5.56 | 2.13 | 5.44 | 2.15 |
| | -15 | 4.93 | 1.99 | 4.80 | 2.01 | 4.68 | 2.03 | 4.62 | 2.03 | 4.56 | 2.03 | 4.44 | 2.05 |
| 24+16+05 | 15 | 10.95 | 2.59 | 10.83 | 2.61 | 10.71 | 2.63 | 10.65 | 2.64 | 10.59 | 2.64 | 10.46 | 2.66 |
| | 10 | 9.95 | 2.49 | 9.83 | 2.51 | 9.70 | 2.53 | 9.64 | 2.54 | 9.58 | 2.54 | 9.46 | 2.56 |
| | 6 | 9.15 | 2.41 | 9.02 | 2.43 | 8.90 | 2.45 | 8.84 | 2.46 | 8.78 | 2.46 | 8.65 | 2.47 |
| | 0 | 7.94 | 2.29 | 7.82 | 2.31 | 7.70 | 2.33 | 7.64 | 2.34 | 7.57 | 2.34 | 7.45 | 2.35 |
| | -5 | 6.94 | 2.19 | 6.82 | 2.21 | 6.69 | 2.23 | 6.63 | 2.24 | 6.57 | 2.24 | 6.45 | 2.25 |
| | -10 | 5.93 | 2.09 | 5.81 | 2.11 | 5.69 | 2.13 | 5.62 | 2.13 | 5.56 | 2.13 | 5.44 | 2.15 |
| | -15 | 4.93 | 1.99 | 4.80 | 2.01 | 4.68 | 2.03 | 4.62 | 2.03 | 4.56 | 2.03 | 4.44 | 2.05 |
| 18+18+05 | 15 | 10.95 | 2.59 | 10.83 | 2.61 | 10.71 | 2.63 | 10.65 | 2.64 | 10.59 | 2.64 | 10.46 | 2.66 |
| | 10 | 9.95 | 2.49 | 9.83 | 2.51 | 9.70 | 2.53 | 9.64 | 2.54 | 9.58 | 2.54 | 9.46 | 2.56 |
| | 6 | 9.15 | 2.41 | 9.02 | 2.43 | 8.90 | 2.45 | 8.84 | 2.46 | 8.78 | 2.46 | 8.65 | 2.47 |
| | 0 | 7.94 | 2.29 | 7.82 | 2.31 | 7.70 | 2.33 | 7.64 | 2.34 | 7.57 | 2.34 | 7.45 | 2.35 |
| | -5 | 6.94 | 2.19 | 6.82 | 2.21 | 6.69 | 2.23 | 6.63 | 2.24 | 6.57 | 2.24 | 6.45 | 2.25 |
| | -10 | 5.93 | 2.09 | 5.81 | 2.11 | 5.69 | 2.13 | 5.62 | 2.13 | 5.56 | 2.13 | 5.44 | 2.15 |
| | -15 | 4.93 | 1.99 | 4.80 | 2.01 | 4.68 | 2.03 | 4.62 | 2.03 | 4.56 | 2.03 | 4.44 | 2.05 |
| 22+18+05 | 15 | 10.95 | 2.59 | 10.83 | 2.61 | 10.71 | 2.63 | 10.65 | 2.64 | 10.59 | 2.64 | 10.46 | 2.66 |
| | 10 | 9.95 | 2.49 | 9.83 | 2.51 | 9.70 | 2.53 | 9.64 | 2.54 | 9.58 | 2.54 | 9.46 | 2.56 |
| | 6 | 9.15 | 2.41 | 9.02 | 2.43 | 8.90 | 2.45 | 8.84 | 2.46 | 8.78 | 2.46 | 8.65 | 2.47 |
| | 0 | 7.94 | 2.29 | 7.82 | 2.31 | 7.70 | 2.33 | 7.64 | 2.34 | 7.57 | 2.34 | 7.45 | 2.35 |
| | -5 | 6.94 | 2.19 | 6.82 | 2.21 | 6.69 | 2.23 | 6.63 | 2.24 | 6.57 | 2.24 | 6.45 | 2.25 |
| | -10 | 5.93 | 2.09 | 5.81 | 2.11 | 5.69 | 2.13 | 5.62 | 2.13 | 5.56 | 2.13 | 5.44 | 2.15 |
| | -15 | 4.93 | 1.99 | 4.80 | 2.01 | 4.68 | 2.03 | 4.62 | 2.03 | 4.56 | 2.03 | 4.44 | 2.05 |

Heating

4 - rooms multisplit : 3 - unit operation

Indoor units : 24 type + 18 type + 05 type 16 type + 07 type + 07 type
 07 type + 07 type + 07 type 18 type + 07 type + 07 type
 10 type + 07 type + 07 type 22 type + 07 type + 07 type
 13 type + 07 type + 07 type 24 type + 07 type + 07 type

Outdoor unit : RAS-4M27U2AVG-E

| Combination (Capacity) | Outdoor air temp. [°C WB] | Indoor air temp. [°C DB] | | | | | | | | | | | |
|---------------------------|---------------------------------|--------------------------|------------|------------|------------|------------|------------|------------|------------|------------|------------|------------|------------|
| | | 16 | | 18 | | 20 | | 21 | | 22 | | 24 | |
| | | TC [kW] | PI [kW] | TC [kW] | PI [kW] | TC [kW] | PI [kW] | TC [kW] | PI [kW] | TC [kW] | PI [kW] | TC [kW] | PI [kW] |
| 24+18+05 | 15 | 10.95 | 2.59 | 10.83 | 2.61 | 10.71 | 2.63 | 10.65 | 2.64 | 10.59 | 2.64 | 10.46 | 2.66 |
| | 10 | 9.95 | 2.49 | 9.83 | 2.51 | 9.70 | 2.53 | 9.64 | 2.54 | 9.58 | 2.54 | 9.46 | 2.56 |
| | 6 | 9.15 | 2.41 | 9.02 | 2.43 | 8.90 | 2.45 | 8.84 | 2.46 | 8.78 | 2.46 | 8.65 | 2.47 |
| | 0 | 7.94 | 2.29 | 7.82 | 2.31 | 7.70 | 2.33 | 7.64 | 2.34 | 7.57 | 2.34 | 7.45 | 2.35 |
| | -5 | 6.94 | 2.19 | 6.82 | 2.21 | 6.69 | 2.23 | 6.63 | 2.24 | 6.57 | 2.24 | 6.45 | 2.25 |
| | -10 | 5.93 | 2.09 | 5.81 | 2.11 | 5.69 | 2.13 | 5.62 | 2.13 | 5.56 | 2.13 | 5.44 | 2.15 |
| | -15 | 4.93 | 1.99 | 4.80 | 2.01 | 4.68 | 2.03 | 4.62 | 2.03 | 4.56 | 2.03 | 4.44 | 2.05 |
| 07+07+07 | 15 | 9.97 | 2.42 | 9.86 | 2.44 | 9.74 | 2.46 | 9.69 | 2.47 | 9.63 | 2.47 | 9.52 | 2.49 |
| | 10 | 9.05 | 2.33 | 8.94 | 2.34 | 8.83 | 2.37 | 8.77 | 2.37 | 8.72 | 2.37 | 8.61 | 2.39 |
| | 6 | 8.32 | 2.25 | 8.21 | 2.27 | 8.10 | 2.29 | 8.04 | 2.30 | 7.99 | 2.30 | 7.87 | 2.31 |
| | 0 | 7.23 | 2.14 | 7.12 | 2.16 | 7.00 | 2.18 | 6.95 | 2.18 | 6.89 | 2.18 | 6.78 | 2.20 |
| | -5 | 6.31 | 2.05 | 6.20 | 2.06 | 6.09 | 2.08 | 6.04 | 2.09 | 5.98 | 2.09 | 5.87 | 2.10 |
| | -10 | 5.40 | 1.96 | 5.29 | 1.97 | 5.18 | 1.99 | 5.12 | 1.99 | 5.06 | 1.99 | 4.95 | 2.01 |
| | -15 | 4.48 | 1.86 | 4.37 | 1.88 | 4.26 | 1.89 | 4.20 | 1.90 | 4.15 | 1.90 | 4.04 | 1.91 |
| 10+07+07 | 15 | 10.22 | 2.43 | 10.10 | 2.45 | 9.99 | 2.47 | 9.93 | 2.48 | 9.87 | 2.48 | 9.76 | 2.50 |
| | 10 | 9.28 | 2.34 | 9.16 | 2.35 | 9.05 | 2.38 | 8.99 | 2.38 | 8.93 | 2.38 | 8.82 | 2.40 |
| | 6 | 8.53 | 2.26 | 8.41 | 2.28 | 8.30 | 2.30 | 8.24 | 2.31 | 8.18 | 2.31 | 8.07 | 2.32 |
| | 0 | 7.41 | 2.15 | 7.29 | 2.17 | 7.18 | 2.19 | 7.12 | 2.19 | 7.06 | 2.19 | 6.95 | 2.21 |
| | -5 | 6.47 | 2.06 | 6.36 | 2.07 | 6.24 | 2.09 | 6.18 | 2.10 | 6.13 | 2.10 | 6.01 | 2.11 |
| | -10 | 5.53 | 1.96 | 5.42 | 1.98 | 5.30 | 2.00 | 5.24 | 2.00 | 5.19 | 2.00 | 5.07 | 2.02 |
| | -15 | 4.60 | 1.87 | 4.48 | 1.88 | 4.37 | 1.90 | 4.31 | 1.91 | 4.25 | 1.91 | 4.14 | 1.92 |
| 13+07+07 | 15 | 10.58 | 2.43 | 10.47 | 2.45 | 10.35 | 2.47 | 10.29 | 2.48 | 10.23 | 2.48 | 10.11 | 2.50 |
| | 10 | 9.61 | 2.34 | 9.49 | 2.35 | 9.38 | 2.38 | 9.32 | 2.38 | 9.26 | 2.38 | 9.14 | 2.40 |
| | 6 | 8.84 | 2.26 | 8.72 | 2.28 | 8.60 | 2.30 | 8.54 | 2.31 | 8.48 | 2.31 | 8.36 | 2.32 |
| | 0 | 7.67 | 2.15 | 7.56 | 2.17 | 7.44 | 2.19 | 7.38 | 2.19 | 7.32 | 2.19 | 7.20 | 2.21 |
| | -5 | 6.70 | 2.06 | 6.59 | 2.07 | 6.47 | 2.09 | 6.41 | 2.10 | 6.35 | 2.10 | 6.23 | 2.11 |
| | -10 | 5.73 | 1.96 | 5.61 | 1.98 | 5.50 | 2.00 | 5.43 | 2.00 | 5.37 | 2.00 | 5.26 | 2.02 |
| | -15 | 4.76 | 1.87 | 4.64 | 1.88 | 4.53 | 1.90 | 4.46 | 1.91 | 4.40 | 1.91 | 4.29 | 1.92 |
| 16+07+07 | 15 | 10.71 | 2.49 | 10.59 | 2.50 | 10.47 | 2.53 | 10.41 | 2.53 | 10.35 | 2.53 | 10.23 | 2.55 |
| | 10 | 9.72 | 2.39 | 9.60 | 2.41 | 9.49 | 2.43 | 9.42 | 2.44 | 9.36 | 2.44 | 9.24 | 2.45 |
| | 6 | 8.94 | 2.31 | 8.82 | 2.33 | 8.70 | 2.35 | 8.64 | 2.36 | 8.58 | 2.36 | 8.46 | 2.37 |
| | 0 | 7.76 | 2.20 | 7.64 | 2.21 | 7.52 | 2.24 | 7.46 | 2.24 | 7.40 | 2.24 | 7.28 | 2.26 |
| | -5 | 6.78 | 2.10 | 6.66 | 2.12 | 6.54 | 2.14 | 6.48 | 2.14 | 6.42 | 2.14 | 6.30 | 2.16 |
| | -10 | 5.80 | 2.01 | 5.68 | 2.02 | 5.56 | 2.04 | 5.50 | 2.05 | 5.44 | 2.05 | 5.32 | 2.06 |
| | -15 | 4.82 | 1.91 | 4.70 | 1.92 | 4.58 | 1.94 | 4.52 | 1.95 | 4.46 | 1.95 | 4.34 | 1.96 |
| 18+07+07 | 15 | 10.71 | 2.49 | 10.59 | 2.50 | 10.47 | 2.53 | 10.41 | 2.53 | 10.35 | 2.53 | 10.23 | 2.55 |
| | 10 | 9.72 | 2.39 | 9.60 | 2.41 | 9.49 | 2.43 | 9.42 | 2.44 | 9.36 | 2.44 | 9.24 | 2.45 |
| | 6 | 8.94 | 2.31 | 8.82 | 2.33 | 8.70 | 2.35 | 8.64 | 2.36 | 8.58 | 2.36 | 8.46 | 2.37 |
| | 0 | 7.76 | 2.20 | 7.64 | 2.21 | 7.52 | 2.24 | 7.46 | 2.24 | 7.40 | 2.24 | 7.28 | 2.26 |
| | -5 | 6.78 | 2.10 | 6.66 | 2.12 | 6.54 | 2.14 | 6.48 | 2.14 | 6.42 | 2.14 | 6.30 | 2.16 |
| | -10 | 5.80 | 2.01 | 5.68 | 2.02 | 5.56 | 2.04 | 5.50 | 2.05 | 5.44 | 2.05 | 5.32 | 2.06 |
| | -15 | 4.82 | 1.91 | 4.70 | 1.92 | 4.58 | 1.94 | 4.52 | 1.95 | 4.46 | 1.95 | 4.34 | 1.96 |
| 22+07+07 | 15 | 10.71 | 2.49 | 10.59 | 2.50 | 10.47 | 2.53 | 10.41 | 2.53 | 10.35 | 2.53 | 10.23 | 2.55 |
| | 10 | 9.72 | 2.39 | 9.60 | 2.41 | 9.49 | 2.43 | 9.42 | 2.44 | 9.36 | 2.44 | 9.24 | 2.45 |
| | 6 | 8.94 | 2.31 | 8.82 | 2.33 | 8.70 | 2.35 | 8.64 | 2.36 | 8.58 | 2.36 | 8.46 | 2.37 |
| | 0 | 7.76 | 2.20 | 7.64 | 2.21 | 7.52 | 2.24 | 7.46 | 2.24 | 7.40 | 2.24 | 7.28 | 2.26 |
| | -5 | 6.78 | 2.10 | 6.66 | 2.12 | 6.54 | 2.14 | 6.48 | 2.14 | 6.42 | 2.14 | 6.30 | 2.16 |
| | -10 | 5.80 | 2.01 | 5.68 | 2.02 | 5.56 | 2.04 | 5.50 | 2.05 | 5.44 | 2.05 | 5.32 | 2.06 |
| | -15 | 4.82 | 1.91 | 4.70 | 1.92 | 4.58 | 1.94 | 4.52 | 1.95 | 4.46 | 1.95 | 4.34 | 1.96 |
| 24+07+07 | 15 | 10.71 | 2.49 | 10.59 | 2.50 | 10.47 | 2.53 | 10.41 | 2.53 | 10.35 | 2.53 | 10.23 | 2.55 |
| | 10 | 9.72 | 2.39 | 9.60 | 2.41 | 9.49 | 2.43 | 9.42 | 2.44 | 9.36 | 2.44 | 9.24 | 2.45 |
| | 6 | 8.94 | 2.31 | 8.82 | 2.33 | 8.70 | 2.35 | 8.64 | 2.36 | 8.58 | 2.36 | 8.46 | 2.37 |
| | 0 | 7.76 | 2.20 | 7.64 | 2.21 | 7.52 | 2.24 | 7.46 | 2.24 | 7.40 | 2.24 | 7.28 | 2.26 |
| | -5 | 6.78 | 2.10 | 6.66 | 2.12 | 6.54 | 2.14 | 6.48 | 2.14 | 6.42 | 2.14 | 6.30 | 2.16 |
| | -10 | 5.80 | 2.01 | 5.68 | 2.02 | 5.56 | 2.04 | 5.50 | 2.05 | 5.44 | 2.05 | 5.32 | 2.06 |
| | -15 | 4.82 | 1.91 | 4.70 | 1.92 | 4.58 | 1.94 | 4.52 | 1.95 | 4.46 | 1.95 | 4.34 | 1.96 |

Heating

4-rooms multisplit : 3 - unit operation

Indoor units : 10 type + 10 type + 07 type 22 type + 10 type + 07 type
 13 type + 10 type + 07 type 24 type + 10 type + 07 type
 16 type + 10 type + 07 type 13 type + 13 type + 07 type
 18 type + 10 type + 07 type 16 type + 13 type + 07 type

Outdoor unit : RAS-4M27U2AVG-E

| Combination (Capacity) | Outdoor air temp. [°C WB] | Indoor air temp. [°C DB] | | | | | | | | | | | |
|---------------------------|---------------------------------|--------------------------|------------|------------|------------|------------|------------|------------|------------|------------|------------|------------|------------|
| | | 16 | | 18 | | 20 | | 21 | | 22 | | 24 | |
| | | TC [kW] | PI [kW] | TC [kW] | PI [kW] | TC [kW] | PI [kW] | TC [kW] | PI [kW] | TC [kW] | PI [kW] | TC [kW] | PI [kW] |
| 10+10+07 | 15 | 10.46 | 2.43 | 10.34 | 2.45 | 10.23 | 2.47 | 10.17 | 2.48 | 10.11 | 2.48 | 9.99 | 2.50 |
| | 10 | 9.50 | 2.34 | 9.38 | 2.35 | 9.27 | 2.38 | 9.21 | 2.38 | 9.15 | 2.38 | 9.03 | 2.40 |
| | 6 | 8.73 | 2.26 | 8.62 | 2.28 | 8.50 | 2.30 | 8.44 | 2.31 | 8.38 | 2.31 | 8.26 | 2.32 |
| | 0 | 7.58 | 2.15 | 7.47 | 2.17 | 7.35 | 2.19 | 7.29 | 2.19 | 7.23 | 2.19 | 7.12 | 2.21 |
| | -5 | 6.63 | 2.06 | 6.51 | 2.07 | 6.39 | 2.09 | 6.33 | 2.10 | 6.27 | 2.10 | 6.16 | 2.11 |
| | -10 | 5.67 | 1.96 | 5.55 | 1.98 | 5.43 | 2.00 | 5.37 | 2.00 | 5.31 | 2.00 | 5.19 | 2.02 |
| | -15 | 4.71 | 1.87 | 4.59 | 1.88 | 4.47 | 1.90 | 4.41 | 1.91 | 4.35 | 1.91 | 4.24 | 1.92 |
| 13+10+07 | 15 | 10.71 | 2.49 | 10.59 | 2.50 | 10.47 | 2.53 | 10.41 | 2.53 | 10.35 | 2.53 | 10.23 | 2.55 |
| | 10 | 9.72 | 2.39 | 9.60 | 2.41 | 9.49 | 2.43 | 9.42 | 2.44 | 9.36 | 2.44 | 9.24 | 2.45 |
| | 6 | 8.94 | 2.31 | 8.82 | 2.33 | 8.70 | 2.35 | 8.64 | 2.36 | 8.58 | 2.36 | 8.46 | 2.37 |
| | 0 | 7.76 | 2.20 | 7.64 | 2.21 | 7.52 | 2.24 | 7.46 | 2.24 | 7.40 | 2.24 | 7.28 | 2.26 |
| | -5 | 6.78 | 2.10 | 6.66 | 2.12 | 6.54 | 2.14 | 6.48 | 2.14 | 6.42 | 2.14 | 6.30 | 2.16 |
| | -10 | 5.80 | 2.01 | 5.68 | 2.02 | 5.56 | 2.04 | 5.50 | 2.05 | 5.44 | 2.05 | 5.32 | 2.06 |
| | -15 | 4.82 | 1.91 | 4.70 | 1.92 | 4.58 | 1.94 | 4.52 | 1.95 | 4.46 | 1.95 | 4.34 | 1.96 |
| 16+10+07 | 15 | 10.71 | 2.49 | 10.59 | 2.50 | 10.47 | 2.53 | 10.41 | 2.53 | 10.35 | 2.53 | 10.23 | 2.55 |
| | 10 | 9.72 | 2.39 | 9.60 | 2.41 | 9.49 | 2.43 | 9.42 | 2.44 | 9.36 | 2.44 | 9.24 | 2.45 |
| | 6 | 8.94 | 2.31 | 8.82 | 2.33 | 8.70 | 2.35 | 8.64 | 2.36 | 8.58 | 2.36 | 8.46 | 2.37 |
| | 0 | 7.76 | 2.20 | 7.64 | 2.21 | 7.52 | 2.24 | 7.46 | 2.24 | 7.40 | 2.24 | 7.28 | 2.26 |
| | -5 | 6.78 | 2.10 | 6.66 | 2.12 | 6.54 | 2.14 | 6.48 | 2.14 | 6.42 | 2.14 | 6.30 | 2.16 |
| | -10 | 5.80 | 2.01 | 5.68 | 2.02 | 5.56 | 2.04 | 5.50 | 2.05 | 5.44 | 2.05 | 5.32 | 2.06 |
| | -15 | 4.82 | 1.91 | 4.70 | 1.92 | 4.58 | 1.94 | 4.52 | 1.95 | 4.46 | 1.95 | 4.34 | 1.96 |
| 18+10+07 | 15 | 10.71 | 2.49 | 10.59 | 2.50 | 10.47 | 2.53 | 10.41 | 2.53 | 10.35 | 2.53 | 10.23 | 2.55 |
| | 10 | 9.72 | 2.39 | 9.60 | 2.41 | 9.49 | 2.43 | 9.42 | 2.44 | 9.36 | 2.44 | 9.24 | 2.45 |
| | 6 | 8.94 | 2.31 | 8.82 | 2.33 | 8.70 | 2.35 | 8.64 | 2.36 | 8.58 | 2.36 | 8.46 | 2.37 |
| | 0 | 7.76 | 2.20 | 7.64 | 2.21 | 7.52 | 2.24 | 7.46 | 2.24 | 7.40 | 2.24 | 7.28 | 2.26 |
| | -5 | 6.78 | 2.10 | 6.66 | 2.12 | 6.54 | 2.14 | 6.48 | 2.14 | 6.42 | 2.14 | 6.30 | 2.16 |
| | -10 | 5.80 | 2.01 | 5.68 | 2.02 | 5.56 | 2.04 | 5.50 | 2.05 | 5.44 | 2.05 | 5.32 | 2.06 |
| | -15 | 4.82 | 1.91 | 4.70 | 1.92 | 4.58 | 1.94 | 4.52 | 1.95 | 4.46 | 1.95 | 4.34 | 1.96 |
| 22+10+07 | 15 | 10.83 | 2.54 | 10.71 | 2.56 | 10.59 | 2.58 | 10.53 | 2.59 | 10.47 | 2.59 | 10.35 | 2.60 |
| | 10 | 9.84 | 2.44 | 9.71 | 2.46 | 9.59 | 2.48 | 9.53 | 2.49 | 9.47 | 2.49 | 9.35 | 2.50 |
| | 6 | 9.04 | 2.36 | 8.92 | 2.38 | 8.80 | 2.40 | 8.74 | 2.41 | 8.68 | 2.41 | 8.55 | 2.42 |
| | 0 | 7.85 | 2.25 | 7.73 | 2.26 | 7.61 | 2.28 | 7.55 | 2.29 | 7.49 | 2.29 | 7.37 | 2.30 |
| | -5 | 6.86 | 2.15 | 6.74 | 2.16 | 6.62 | 2.18 | 6.56 | 2.19 | 6.50 | 2.19 | 6.37 | 2.20 |
| | -10 | 5.87 | 2.05 | 5.74 | 2.06 | 5.62 | 2.08 | 5.56 | 2.09 | 5.50 | 2.09 | 5.38 | 2.10 |
| | -15 | 4.87 | 1.95 | 4.75 | 1.97 | 4.63 | 1.99 | 4.57 | 1.99 | 4.51 | 1.99 | 4.39 | 2.00 |
| 24+10+07 | 15 | 10.83 | 2.54 | 10.71 | 2.56 | 10.59 | 2.58 | 10.53 | 2.59 | 10.47 | 2.59 | 10.35 | 2.60 |
| | 10 | 9.84 | 2.44 | 9.71 | 2.46 | 9.59 | 2.48 | 9.53 | 2.49 | 9.47 | 2.49 | 9.35 | 2.50 |
| | 6 | 9.04 | 2.36 | 8.92 | 2.38 | 8.80 | 2.40 | 8.74 | 2.41 | 8.68 | 2.41 | 8.55 | 2.42 |
| | 0 | 7.85 | 2.25 | 7.73 | 2.26 | 7.61 | 2.28 | 7.55 | 2.29 | 7.49 | 2.29 | 7.37 | 2.30 |
| | -5 | 6.86 | 2.15 | 6.74 | 2.16 | 6.62 | 2.18 | 6.56 | 2.19 | 6.50 | 2.19 | 6.37 | 2.20 |
| | -10 | 5.87 | 2.05 | 5.74 | 2.06 | 5.62 | 2.08 | 5.56 | 2.09 | 5.50 | 2.09 | 5.38 | 2.10 |
| | -15 | 4.87 | 1.95 | 4.75 | 1.97 | 4.63 | 1.99 | 4.57 | 1.99 | 4.51 | 1.99 | 4.39 | 2.00 |
| 13+13+07 | 15 | 10.71 | 2.49 | 10.59 | 2.50 | 10.47 | 2.53 | 10.41 | 2.53 | 10.35 | 2.53 | 10.23 | 2.55 |
| | 10 | 9.72 | 2.39 | 9.60 | 2.41 | 9.49 | 2.43 | 9.42 | 2.44 | 9.36 | 2.44 | 9.24 | 2.45 |
| | 6 | 8.94 | 2.31 | 8.82 | 2.33 | 8.70 | 2.35 | 8.64 | 2.36 | 8.58 | 2.36 | 8.46 | 2.37 |
| | 0 | 7.76 | 2.20 | 7.64 | 2.21 | 7.52 | 2.24 | 7.46 | 2.24 | 7.40 | 2.24 | 7.28 | 2.26 |
| | -5 | 6.78 | 2.10 | 6.66 | 2.12 | 6.54 | 2.14 | 6.48 | 2.14 | 6.42 | 2.14 | 6.30 | 2.16 |
| | -10 | 5.80 | 2.01 | 5.68 | 2.02 | 5.56 | 2.04 | 5.50 | 2.05 | 5.44 | 2.05 | 5.32 | 2.06 |
| | -15 | 4.82 | 1.91 | 4.70 | 1.92 | 4.58 | 1.94 | 4.52 | 1.95 | 4.46 | 1.95 | 4.34 | 1.96 |
| 16+13+07 | 15 | 10.83 | 2.54 | 10.71 | 2.56 | 10.59 | 2.58 | 10.53 | 2.59 | 10.47 | 2.59 | 10.35 | 2.60 |
| | 10 | 9.84 | 2.44 | 9.71 | 2.46 | 9.59 | 2.48 | 9.53 | 2.49 | 9.47 | 2.49 | 9.35 | 2.50 |
| | 6 | 9.04 | 2.36 | 8.92 | 2.38 | 8.80 | 2.40 | 8.74 | 2.41 | 8.68 | 2.41 | 8.55 | 2.42 |
| | 0 | 7.85 | 2.25 | 7.73 | 2.26 | 7.61 | 2.28 | 7.55 | 2.29 | 7.49 | 2.29 | 7.37 | 2.30 |
| | -5 | 6.86 | 2.15 | 6.74 | 2.16 | 6.62 | 2.18 | 6.56 | 2.19 | 6.50 | 2.19 | 6.37 | 2.20 |
| | -10 | 5.87 | 2.05 | 5.74 | 2.06 | 5.62 | 2.08 | 5.56 | 2.09 | 5.50 | 2.09 | 5.38 | 2.10 |
| | -15 | 4.87 | 1.95 | 4.75 | 1.97 | 4.63 | 1.99 | 4.57 | 1.99 | 4.51 | 1.99 | 4.39 | 2.00 |

Heating

4 - rooms multisplit : 3 - unit operation

Indoor units : 18 type + 13 type + 07 type 18 type + 16 type + 07 type
 22 type + 13 type + 07 type 22 type + 16 type + 07 type
 24 type + 13 type + 07 type 24 type + 16 type + 07 type
 16 type + 16 type + 07 type 18 type + 18 type + 07 type

Outdoor unit : RAS-4M27U2AVG-E

| Combination (Capacity) | Outdoor air temp. [°C WB] | Indoor air temp. [°C DB] | | | | | | | | | | | |
|---------------------------|---------------------------------|--------------------------|------------|------------|------------|------------|------------|------------|------------|------------|------------|------------|------------|
| | | 16 | | 18 | | 20 | | 21 | | 22 | | 24 | |
| | | TC [kW] | PI [kW] | TC [kW] | PI [kW] | TC [kW] | PI [kW] | TC [kW] | PI [kW] | TC [kW] | PI [kW] | TC [kW] | PI [kW] |
| 18+13+07 | 15 | 10.83 | 2.54 | 10.71 | 2.56 | 10.59 | 2.58 | 10.53 | 2.59 | 10.47 | 2.59 | 10.35 | 2.60 |
| | 10 | 9.84 | 2.44 | 9.71 | 2.46 | 9.59 | 2.48 | 9.53 | 2.49 | 9.47 | 2.49 | 9.35 | 2.50 |
| | 6 | 9.04 | 2.36 | 8.92 | 2.38 | 8.80 | 2.40 | 8.74 | 2.41 | 8.68 | 2.41 | 8.55 | 2.42 |
| | 0 | 7.85 | 2.25 | 7.73 | 2.26 | 7.61 | 2.28 | 7.55 | 2.29 | 7.49 | 2.29 | 7.37 | 2.30 |
| | -5 | 6.86 | 2.15 | 6.74 | 2.16 | 6.62 | 2.18 | 6.56 | 2.19 | 6.50 | 2.19 | 6.37 | 2.20 |
| | -10 | 5.87 | 2.05 | 5.74 | 2.06 | 5.62 | 2.08 | 5.56 | 2.09 | 5.50 | 2.09 | 5.38 | 2.10 |
| | -15 | 4.87 | 1.95 | 4.75 | 1.97 | 4.63 | 1.99 | 4.57 | 1.99 | 4.51 | 1.99 | 4.39 | 2.00 |
| 22+13+07 | 15 | 10.95 | 2.59 | 10.83 | 2.61 | 10.71 | 2.63 | 10.65 | 2.64 | 10.59 | 2.64 | 10.46 | 2.66 |
| | 10 | 9.95 | 2.49 | 9.83 | 2.51 | 9.70 | 2.53 | 9.64 | 2.54 | 9.58 | 2.54 | 9.46 | 2.56 |
| | 6 | 9.15 | 2.41 | 9.02 | 2.43 | 8.90 | 2.45 | 8.84 | 2.46 | 8.78 | 2.46 | 8.65 | 2.47 |
| | 0 | 7.94 | 2.29 | 7.82 | 2.31 | 7.70 | 2.33 | 7.64 | 2.34 | 7.57 | 2.34 | 7.45 | 2.35 |
| | -5 | 6.94 | 2.19 | 6.82 | 2.21 | 6.69 | 2.23 | 6.63 | 2.24 | 6.57 | 2.24 | 6.45 | 2.25 |
| | -10 | 5.93 | 2.09 | 5.81 | 2.11 | 5.69 | 2.13 | 5.62 | 2.13 | 5.56 | 2.13 | 5.44 | 2.15 |
| | -15 | 4.93 | 1.99 | 4.80 | 2.01 | 4.68 | 2.03 | 4.62 | 2.03 | 4.56 | 2.03 | 4.44 | 2.05 |
| 24+13+07 | 15 | 10.95 | 2.59 | 10.83 | 2.61 | 10.71 | 2.63 | 10.65 | 2.64 | 10.59 | 2.64 | 10.46 | 2.66 |
| | 10 | 9.95 | 2.49 | 9.83 | 2.51 | 9.70 | 2.53 | 9.64 | 2.54 | 9.58 | 2.54 | 9.46 | 2.56 |
| | 6 | 9.15 | 2.41 | 9.02 | 2.43 | 8.90 | 2.45 | 8.84 | 2.46 | 8.78 | 2.46 | 8.65 | 2.47 |
| | 0 | 7.94 | 2.29 | 7.82 | 2.31 | 7.70 | 2.33 | 7.64 | 2.34 | 7.57 | 2.34 | 7.45 | 2.35 |
| | -5 | 6.94 | 2.19 | 6.82 | 2.21 | 6.69 | 2.23 | 6.63 | 2.24 | 6.57 | 2.24 | 6.45 | 2.25 |
| | -10 | 5.93 | 2.09 | 5.81 | 2.11 | 5.69 | 2.13 | 5.62 | 2.13 | 5.56 | 2.13 | 5.44 | 2.15 |
| | -15 | 4.93 | 1.99 | 4.80 | 2.01 | 4.68 | 2.03 | 4.62 | 2.03 | 4.56 | 2.03 | 4.44 | 2.05 |
| 16+16+07 | 15 | 10.95 | 2.59 | 10.83 | 2.61 | 10.71 | 2.63 | 10.65 | 2.64 | 10.59 | 2.64 | 10.46 | 2.66 |
| | 10 | 9.95 | 2.49 | 9.83 | 2.51 | 9.70 | 2.53 | 9.64 | 2.54 | 9.58 | 2.54 | 9.46 | 2.56 |
| | 6 | 9.15 | 2.41 | 9.02 | 2.43 | 8.90 | 2.45 | 8.84 | 2.46 | 8.78 | 2.46 | 8.65 | 2.47 |
| | 0 | 7.94 | 2.29 | 7.82 | 2.31 | 7.70 | 2.33 | 7.64 | 2.34 | 7.57 | 2.34 | 7.45 | 2.35 |
| | -5 | 6.94 | 2.19 | 6.82 | 2.21 | 6.69 | 2.23 | 6.63 | 2.24 | 6.57 | 2.24 | 6.45 | 2.25 |
| | -10 | 5.93 | 2.09 | 5.81 | 2.11 | 5.69 | 2.13 | 5.62 | 2.13 | 5.56 | 2.13 | 5.44 | 2.15 |
| | -15 | 4.93 | 1.99 | 4.80 | 2.01 | 4.68 | 2.03 | 4.62 | 2.03 | 4.56 | 2.03 | 4.44 | 2.05 |
| 18+16+07 | 15 | 10.95 | 2.59 | 10.83 | 2.61 | 10.71 | 2.63 | 10.65 | 2.64 | 10.59 | 2.64 | 10.46 | 2.66 |
| | 10 | 9.95 | 2.49 | 9.83 | 2.51 | 9.70 | 2.53 | 9.64 | 2.54 | 9.58 | 2.54 | 9.46 | 2.56 |
| | 6 | 9.15 | 2.41 | 9.02 | 2.43 | 8.90 | 2.45 | 8.84 | 2.46 | 8.78 | 2.46 | 8.65 | 2.47 |
| | 0 | 7.94 | 2.29 | 7.82 | 2.31 | 7.70 | 2.33 | 7.64 | 2.34 | 7.57 | 2.34 | 7.45 | 2.35 |
| | -5 | 6.94 | 2.19 | 6.82 | 2.21 | 6.69 | 2.23 | 6.63 | 2.24 | 6.57 | 2.24 | 6.45 | 2.25 |
| | -10 | 5.93 | 2.09 | 5.81 | 2.11 | 5.69 | 2.13 | 5.62 | 2.13 | 5.56 | 2.13 | 5.44 | 2.15 |
| | -15 | 4.93 | 1.99 | 4.80 | 2.01 | 4.68 | 2.03 | 4.62 | 2.03 | 4.56 | 2.03 | 4.44 | 2.05 |
| 22+16+07 | 15 | 10.95 | 2.59 | 10.83 | 2.61 | 10.71 | 2.63 | 10.65 | 2.64 | 10.59 | 2.64 | 10.46 | 2.66 |
| | 10 | 9.95 | 2.49 | 9.83 | 2.51 | 9.70 | 2.53 | 9.64 | 2.54 | 9.58 | 2.54 | 9.46 | 2.56 |
| | 6 | 9.15 | 2.41 | 9.02 | 2.43 | 8.90 | 2.45 | 8.84 | 2.46 | 8.78 | 2.46 | 8.65 | 2.47 |
| | 0 | 7.94 | 2.29 | 7.82 | 2.31 | 7.70 | 2.33 | 7.64 | 2.34 | 7.57 | 2.34 | 7.45 | 2.35 |
| | -5 | 6.94 | 2.19 | 6.82 | 2.21 | 6.69 | 2.23 | 6.63 | 2.24 | 6.57 | 2.24 | 6.45 | 2.25 |
| | -10 | 5.93 | 2.09 | 5.81 | 2.11 | 5.69 | 2.13 | 5.62 | 2.13 | 5.56 | 2.13 | 5.44 | 2.15 |
| | -15 | 4.93 | 1.99 | 4.80 | 2.01 | 4.68 | 2.03 | 4.62 | 2.03 | 4.56 | 2.03 | 4.44 | 2.05 |
| 24+16+07 | 15 | 10.95 | 2.59 | 10.83 | 2.61 | 10.71 | 2.63 | 10.65 | 2.64 | 10.59 | 2.64 | 10.46 | 2.66 |
| | 10 | 9.95 | 2.49 | 9.83 | 2.51 | 9.70 | 2.53 | 9.64 | 2.54 | 9.58 | 2.54 | 9.46 | 2.56 |
| | 6 | 9.15 | 2.41 | 9.02 | 2.43 | 8.90 | 2.45 | 8.84 | 2.46 | 8.78 | 2.46 | 8.65 | 2.47 |
| | 0 | 7.94 | 2.29 | 7.82 | 2.31 | 7.70 | 2.33 | 7.64 | 2.34 | 7.57 | 2.34 | 7.45 | 2.35 |
| | -5 | 6.94 | 2.19 | 6.82 | 2.21 | 6.69 | 2.23 | 6.63 | 2.24 | 6.57 | 2.24 | 6.45 | 2.25 |
| | -10 | 5.93 | 2.09 | 5.81 | 2.11 | 5.69 | 2.13 | 5.62 | 2.13 | 5.56 | 2.13 | 5.44 | 2.15 |
| | -15 | 4.93 | 1.99 | 4.80 | 2.01 | 4.68 | 2.03 | 4.62 | 2.03 | 4.56 | 2.03 | 4.44 | 2.05 |
| 18+18+07 | 15 | 10.95 | 2.59 | 10.83 | 2.61 | 10.71 | 2.63 | 10.65 | 2.64 | 10.59 | 2.64 | 10.46 | 2.66 |
| | 10 | 9.95 | 2.49 | 9.83 | 2.51 | 9.70 | 2.53 | 9.64 | 2.54 | 9.58 | 2.54 | 9.46 | 2.56 |
| | 6 | 9.15 | 2.41 | 9.02 | 2.43 | 8.90 | 2.45 | 8.84 | 2.46 | 8.78 | 2.46 | 8.65 | 2.47 |
| | 0 | 7.94 | 2.29 | 7.82 | 2.31 | 7.70 | 2.33 | 7.64 | 2.34 | 7.57 | 2.34 | 7.45 | 2.35 |
| | -5 | 6.94 | 2.19 | 6.82 | 2.21 | 6.69 | 2.23 | 6.63 | 2.24 | 6.57 | 2.24 | 6.45 | 2.25 |
| | -10 | 5.93 | 2.09 | 5.81 | 2.11 | 5.69 | 2.13 | 5.62 | 2.13 | 5.56 | 2.13 | 5.44 | 2.15 |
| | -15 | 4.93 | 1.99 | 4.80 | 2.01 | 4.68 | 2.03 | 4.62 | 2.03 | 4.56 | 2.03 | 4.44 | 2.05 |

Heating

4 - rooms multisplit : 3 - unit operation

Indoor units : 22 type + 18 type + 07 type 16 type + 10 type + 10 type
 24 type + 18 type + 07 type 18 type + 10 type + 10 type
 10 type + 10 type + 10 type 22 type + 10 type + 10 type
 13 type + 10 type + 10 type 24 type + 10 type + 10 type

Outdoor unit : RAS-4M27U2AVG-E

| Combination (Capacity) | Outdoor air temp. [°C WB] | Indoor air temp. [°C DB] | | | | | | | | | | | |
|---------------------------|---------------------------------|--------------------------|------------|------------|------------|------------|------------|------------|------------|------------|------------|------------|------------|
| | | 16 | | 18 | | 20 | | 21 | | 22 | | 24 | |
| | | TC [kW] | PI [kW] | TC [kW] | PI [kW] | TC [kW] | PI [kW] | TC [kW] | PI [kW] | TC [kW] | PI [kW] | TC [kW] | PI [kW] |
| 22+18+07 | 15 | 10.95 | 2.59 | 10.83 | 2.61 | 10.71 | 2.63 | 10.65 | 2.64 | 10.59 | 2.64 | 10.46 | 2.66 |
| | 10 | 9.95 | 2.49 | 9.83 | 2.51 | 9.70 | 2.53 | 9.64 | 2.54 | 9.58 | 2.54 | 9.46 | 2.56 |
| | 6 | 9.15 | 2.41 | 9.02 | 2.43 | 8.90 | 2.45 | 8.84 | 2.46 | 8.78 | 2.46 | 8.65 | 2.47 |
| | 0 | 7.94 | 2.29 | 7.82 | 2.31 | 7.70 | 2.33 | 7.64 | 2.34 | 7.57 | 2.34 | 7.45 | 2.35 |
| | -5 | 6.94 | 2.19 | 6.82 | 2.21 | 6.69 | 2.23 | 6.63 | 2.24 | 6.57 | 2.24 | 6.45 | 2.25 |
| | -10 | 5.93 | 2.09 | 5.81 | 2.11 | 5.69 | 2.13 | 5.62 | 2.13 | 5.56 | 2.13 | 5.44 | 2.15 |
| | -15 | 4.93 | 1.99 | 4.80 | 2.01 | 4.68 | 2.03 | 4.62 | 2.03 | 4.56 | 2.03 | 4.44 | 2.05 |
| 24+18+07 | 15 | 10.95 | 2.59 | 10.83 | 2.61 | 10.71 | 2.63 | 10.65 | 2.64 | 10.59 | 2.64 | 10.46 | 2.66 |
| | 10 | 9.95 | 2.49 | 9.83 | 2.51 | 9.70 | 2.53 | 9.64 | 2.54 | 9.58 | 2.54 | 9.46 | 2.56 |
| | 6 | 9.15 | 2.41 | 9.02 | 2.43 | 8.90 | 2.45 | 8.84 | 2.46 | 8.78 | 2.46 | 8.65 | 2.47 |
| | 0 | 7.94 | 2.29 | 7.82 | 2.31 | 7.70 | 2.33 | 7.64 | 2.34 | 7.57 | 2.34 | 7.45 | 2.35 |
| | -5 | 6.94 | 2.19 | 6.82 | 2.21 | 6.69 | 2.23 | 6.63 | 2.24 | 6.57 | 2.24 | 6.45 | 2.25 |
| | -10 | 5.93 | 2.09 | 5.81 | 2.11 | 5.69 | 2.13 | 5.62 | 2.13 | 5.56 | 2.13 | 5.44 | 2.15 |
| | -15 | 4.93 | 1.99 | 4.80 | 2.01 | 4.68 | 2.03 | 4.62 | 2.03 | 4.56 | 2.03 | 4.44 | 2.05 |
| 10+10+10 | 15 | 10.58 | 2.43 | 10.47 | 2.45 | 10.35 | 2.47 | 10.29 | 2.48 | 10.23 | 2.48 | 10.11 | 2.50 |
| | 10 | 9.61 | 2.34 | 9.49 | 2.35 | 9.38 | 2.38 | 9.32 | 2.38 | 9.26 | 2.38 | 9.14 | 2.40 |
| | 6 | 8.84 | 2.26 | 8.72 | 2.28 | 8.60 | 2.30 | 8.54 | 2.31 | 8.48 | 2.31 | 8.36 | 2.32 |
| | 0 | 7.67 | 2.15 | 7.56 | 2.17 | 7.44 | 2.19 | 7.38 | 2.19 | 7.32 | 2.19 | 7.20 | 2.21 |
| | -5 | 6.70 | 2.06 | 6.59 | 2.07 | 6.47 | 2.09 | 6.41 | 2.10 | 6.35 | 2.10 | 6.23 | 2.11 |
| | -10 | 5.73 | 1.96 | 5.61 | 1.98 | 5.50 | 2.00 | 5.43 | 2.00 | 5.37 | 2.00 | 5.26 | 2.02 |
| | -15 | 4.76 | 1.87 | 4.64 | 1.88 | 4.53 | 1.90 | 4.46 | 1.91 | 4.40 | 1.91 | 4.29 | 1.92 |
| 13+10+10 | 15 | 10.71 | 2.49 | 10.59 | 2.50 | 10.47 | 2.53 | 10.41 | 2.53 | 10.35 | 2.53 | 10.23 | 2.55 |
| | 10 | 9.72 | 2.39 | 9.60 | 2.41 | 9.49 | 2.43 | 9.42 | 2.44 | 9.36 | 2.44 | 9.24 | 2.45 |
| | 6 | 8.94 | 2.31 | 8.82 | 2.33 | 8.70 | 2.35 | 8.64 | 2.36 | 8.58 | 2.36 | 8.46 | 2.37 |
| | 0 | 7.76 | 2.20 | 7.64 | 2.21 | 7.52 | 2.24 | 7.46 | 2.24 | 7.40 | 2.24 | 7.28 | 2.26 |
| | -5 | 6.78 | 2.10 | 6.66 | 2.12 | 6.54 | 2.14 | 6.48 | 2.14 | 6.42 | 2.14 | 6.30 | 2.16 |
| | -10 | 5.80 | 2.01 | 5.68 | 2.02 | 5.56 | 2.04 | 5.50 | 2.05 | 5.44 | 2.05 | 5.32 | 2.06 |
| | -15 | 4.82 | 1.91 | 4.70 | 1.92 | 4.58 | 1.94 | 4.52 | 1.95 | 4.46 | 1.95 | 4.34 | 1.96 |
| 16+10+10 | 15 | 10.71 | 2.49 | 10.59 | 2.50 | 10.47 | 2.53 | 10.41 | 2.53 | 10.35 | 2.53 | 10.23 | 2.55 |
| | 10 | 9.72 | 2.39 | 9.60 | 2.41 | 9.49 | 2.43 | 9.42 | 2.44 | 9.36 | 2.44 | 9.24 | 2.45 |
| | 6 | 8.94 | 2.31 | 8.82 | 2.33 | 8.70 | 2.35 | 8.64 | 2.36 | 8.58 | 2.36 | 8.46 | 2.37 |
| | 0 | 7.76 | 2.20 | 7.64 | 2.21 | 7.52 | 2.24 | 7.46 | 2.24 | 7.40 | 2.24 | 7.28 | 2.26 |
| | -5 | 6.78 | 2.10 | 6.66 | 2.12 | 6.54 | 2.14 | 6.48 | 2.14 | 6.42 | 2.14 | 6.30 | 2.16 |
| | -10 | 5.80 | 2.01 | 5.68 | 2.02 | 5.56 | 2.04 | 5.50 | 2.05 | 5.44 | 2.05 | 5.32 | 2.06 |
| | -15 | 4.82 | 1.91 | 4.70 | 1.92 | 4.58 | 1.94 | 4.52 | 1.95 | 4.46 | 1.95 | 4.34 | 1.96 |
| 18+10+10 | 15 | 10.71 | 2.49 | 10.59 | 2.50 | 10.47 | 2.53 | 10.41 | 2.53 | 10.35 | 2.53 | 10.23 | 2.55 |
| | 10 | 9.72 | 2.39 | 9.60 | 2.41 | 9.49 | 2.43 | 9.42 | 2.44 | 9.36 | 2.44 | 9.24 | 2.45 |
| | 6 | 8.94 | 2.31 | 8.82 | 2.33 | 8.70 | 2.35 | 8.64 | 2.36 | 8.58 | 2.36 | 8.46 | 2.37 |
| | 0 | 7.76 | 2.20 | 7.64 | 2.21 | 7.52 | 2.24 | 7.46 | 2.24 | 7.40 | 2.24 | 7.28 | 2.26 |
| | -5 | 6.78 | 2.10 | 6.66 | 2.12 | 6.54 | 2.14 | 6.48 | 2.14 | 6.42 | 2.14 | 6.30 | 2.16 |
| | -10 | 5.80 | 2.01 | 5.68 | 2.02 | 5.56 | 2.04 | 5.50 | 2.05 | 5.44 | 2.05 | 5.32 | 2.06 |
| | -15 | 4.82 | 1.91 | 4.70 | 1.92 | 4.58 | 1.94 | 4.52 | 1.95 | 4.46 | 1.95 | 4.34 | 1.96 |
| 22+10+10 | 15 | 10.95 | 2.59 | 10.83 | 2.61 | 10.71 | 2.63 | 10.65 | 2.64 | 10.59 | 2.64 | 10.46 | 2.66 |
| | 10 | 9.95 | 2.49 | 9.83 | 2.51 | 9.70 | 2.53 | 9.64 | 2.54 | 9.58 | 2.54 | 9.46 | 2.56 |
| | 6 | 9.15 | 2.41 | 9.02 | 2.43 | 8.90 | 2.45 | 8.84 | 2.46 | 8.78 | 2.46 | 8.65 | 2.47 |
| | 0 | 7.94 | 2.29 | 7.82 | 2.31 | 7.70 | 2.33 | 7.64 | 2.34 | 7.57 | 2.34 | 7.45 | 2.35 |
| | -5 | 6.94 | 2.19 | 6.82 | 2.21 | 6.69 | 2.23 | 6.63 | 2.24 | 6.57 | 2.24 | 6.45 | 2.25 |
| | -10 | 5.93 | 2.09 | 5.81 | 2.11 | 5.69 | 2.13 | 5.62 | 2.13 | 5.56 | 2.13 | 5.44 | 2.15 |
| | -15 | 4.93 | 1.99 | 4.80 | 2.01 | 4.68 | 2.03 | 4.62 | 2.03 | 4.56 | 2.03 | 4.44 | 2.05 |
| 24+10+10 | 15 | 10.95 | 2.59 | 10.83 | 2.61 | 10.71 | 2.63 | 10.65 | 2.64 | 10.59 | 2.64 | 10.46 | 2.66 |
| | 10 | 9.95 | 2.49 | 9.83 | 2.51 | 9.70 | 2.53 | 9.64 | 2.54 | 9.58 | 2.54 | 9.46 | 2.56 |
| | 6 | 9.15 | 2.41 | 9.02 | 2.43 | 8.90 | 2.45 | 8.84 | 2.46 | 8.78 | 2.46 | 8.65 | 2.47 |
| | 0 | 7.94 | 2.29 | 7.82 | 2.31 | 7.70 | 2.33 | 7.64 | 2.34 | 7.57 | 2.34 | 7.45 | 2.35 |
| | -5 | 6.94 | 2.19 | 6.82 | 2.21 | 6.69 | 2.23 | 6.63 | 2.24 | 6.57 | 2.24 | 6.45 | 2.25 |
| | -10 | 5.93 | 2.09 | 5.81 | 2.11 | 5.69 | 2.13 | 5.62 | 2.13 | 5.56 | 2.13 | 5.44 | 2.15 |
| | -15 | 4.93 | 1.99 | 4.80 | 2.01 | 4.68 | 2.03 | 4.62 | 2.03 | 4.56 | 2.03 | 4.44 | 2.05 |

Heating

4 - rooms multisplit : 3 - unit operation

Indoor units : 13 type + 13 type + 10 type 24 type + 13 type + 10 type
 16 type + 13 type + 10 type 16 type + 16 type + 10 type
 18 type + 13 type + 10 type 18 type + 16 type + 10 type
 22 type + 13 type + 10 type 22 type + 16 type + 10 type

Outdoor unit : RAS-4M27U2AVG-E

| Combination (Capacity) | Outdoor air temp. [°C WB] | Indoor air temp. [°C DB] | | | | | | | | | | | |
|---------------------------|---------------------------------|--------------------------|------------|------------|------------|------------|------------|------------|------------|------------|------------|------------|------------|
| | | 16 | | 18 | | 20 | | 21 | | 22 | | 24 | |
| | | TC [kW] | PI [kW] | TC [kW] | PI [kW] | TC [kW] | PI [kW] | TC [kW] | PI [kW] | TC [kW] | PI [kW] | TC [kW] | PI [kW] |
| 13+13+10 | 15 | 10.71 | 2.49 | 10.59 | 2.50 | 10.47 | 2.53 | 10.41 | 2.53 | 10.35 | 2.53 | 10.23 | 2.55 |
| | 10 | 9.72 | 2.39 | 9.60 | 2.41 | 9.49 | 2.43 | 9.42 | 2.44 | 9.36 | 2.44 | 9.24 | 2.45 |
| | 6 | 8.94 | 2.31 | 8.82 | 2.33 | 8.70 | 2.35 | 8.64 | 2.36 | 8.58 | 2.36 | 8.46 | 2.37 |
| | 0 | 7.76 | 2.20 | 7.64 | 2.21 | 7.52 | 2.24 | 7.46 | 2.24 | 7.40 | 2.24 | 7.28 | 2.26 |
| | -5 | 6.78 | 2.10 | 6.66 | 2.12 | 6.54 | 2.14 | 6.48 | 2.14 | 6.42 | 2.14 | 6.30 | 2.16 |
| | -10 | 5.80 | 2.01 | 5.68 | 2.02 | 5.56 | 2.04 | 5.50 | 2.05 | 5.44 | 2.05 | 5.32 | 2.06 |
| | -15 | 4.82 | 1.91 | 4.70 | 1.92 | 4.58 | 1.94 | 4.52 | 1.95 | 4.46 | 1.95 | 4.34 | 1.96 |
| 16+13+10 | 15 | 10.83 | 2.54 | 10.71 | 2.56 | 10.59 | 2.58 | 10.53 | 2.59 | 10.47 | 2.59 | 10.35 | 2.60 |
| | 10 | 9.84 | 2.44 | 9.71 | 2.46 | 9.59 | 2.48 | 9.53 | 2.49 | 9.47 | 2.49 | 9.35 | 2.50 |
| | 6 | 9.04 | 2.36 | 8.92 | 2.38 | 8.80 | 2.40 | 8.74 | 2.41 | 8.68 | 2.41 | 8.55 | 2.42 |
| | 0 | 7.85 | 2.25 | 7.73 | 2.26 | 7.61 | 2.28 | 7.55 | 2.29 | 7.49 | 2.29 | 7.37 | 2.30 |
| | -5 | 6.86 | 2.15 | 6.74 | 2.16 | 6.62 | 2.18 | 6.56 | 2.19 | 6.50 | 2.19 | 6.37 | 2.20 |
| | -10 | 5.87 | 2.05 | 5.74 | 2.06 | 5.62 | 2.08 | 5.56 | 2.09 | 5.50 | 2.09 | 5.38 | 2.10 |
| | -15 | 4.87 | 1.95 | 4.75 | 1.97 | 4.63 | 1.99 | 4.57 | 1.99 | 4.51 | 1.99 | 4.39 | 2.00 |
| 18+13+10 | 15 | 10.95 | 2.59 | 10.83 | 2.61 | 10.71 | 2.63 | 10.65 | 2.64 | 10.59 | 2.64 | 10.46 | 2.66 |
| | 10 | 9.95 | 2.49 | 9.83 | 2.51 | 9.70 | 2.53 | 9.64 | 2.54 | 9.58 | 2.54 | 9.46 | 2.56 |
| | 6 | 9.15 | 2.41 | 9.02 | 2.43 | 8.90 | 2.45 | 8.84 | 2.46 | 8.78 | 2.46 | 8.65 | 2.47 |
| | 0 | 7.94 | 2.29 | 7.82 | 2.31 | 7.70 | 2.33 | 7.64 | 2.34 | 7.57 | 2.34 | 7.45 | 2.35 |
| | -5 | 6.94 | 2.19 | 6.82 | 2.21 | 6.69 | 2.23 | 6.63 | 2.24 | 6.57 | 2.24 | 6.45 | 2.25 |
| | -10 | 5.93 | 2.09 | 5.81 | 2.11 | 5.69 | 2.13 | 5.62 | 2.13 | 5.56 | 2.13 | 5.44 | 2.15 |
| | -15 | 4.93 | 1.99 | 4.80 | 2.01 | 4.68 | 2.03 | 4.62 | 2.03 | 4.56 | 2.03 | 4.44 | 2.05 |
| 22+13+10 | 15 | 10.95 | 2.59 | 10.83 | 2.61 | 10.71 | 2.63 | 10.65 | 2.64 | 10.59 | 2.64 | 10.46 | 2.66 |
| | 10 | 9.95 | 2.49 | 9.83 | 2.51 | 9.70 | 2.53 | 9.64 | 2.54 | 9.58 | 2.54 | 9.46 | 2.56 |
| | 6 | 9.15 | 2.41 | 9.02 | 2.43 | 8.90 | 2.45 | 8.84 | 2.46 | 8.78 | 2.46 | 8.65 | 2.47 |
| | 0 | 7.94 | 2.29 | 7.82 | 2.31 | 7.70 | 2.33 | 7.64 | 2.34 | 7.57 | 2.34 | 7.45 | 2.35 |
| | -5 | 6.94 | 2.19 | 6.82 | 2.21 | 6.69 | 2.23 | 6.63 | 2.24 | 6.57 | 2.24 | 6.45 | 2.25 |
| | -10 | 5.93 | 2.09 | 5.81 | 2.11 | 5.69 | 2.13 | 5.62 | 2.13 | 5.56 | 2.13 | 5.44 | 2.15 |
| | -15 | 4.93 | 1.99 | 4.80 | 2.01 | 4.68 | 2.03 | 4.62 | 2.03 | 4.56 | 2.03 | 4.44 | 2.05 |
| 24+13+10 | 15 | 10.95 | 2.59 | 10.83 | 2.61 | 10.71 | 2.63 | 10.65 | 2.64 | 10.59 | 2.64 | 10.46 | 2.66 |
| | 10 | 9.95 | 2.49 | 9.83 | 2.51 | 9.70 | 2.53 | 9.64 | 2.54 | 9.58 | 2.54 | 9.46 | 2.56 |
| | 6 | 9.15 | 2.41 | 9.02 | 2.43 | 8.90 | 2.45 | 8.84 | 2.46 | 8.78 | 2.46 | 8.65 | 2.47 |
| | 0 | 7.94 | 2.29 | 7.82 | 2.31 | 7.70 | 2.33 | 7.64 | 2.34 | 7.57 | 2.34 | 7.45 | 2.35 |
| | -5 | 6.94 | 2.19 | 6.82 | 2.21 | 6.69 | 2.23 | 6.63 | 2.24 | 6.57 | 2.24 | 6.45 | 2.25 |
| | -10 | 5.93 | 2.09 | 5.81 | 2.11 | 5.69 | 2.13 | 5.62 | 2.13 | 5.56 | 2.13 | 5.44 | 2.15 |
| | -15 | 4.93 | 1.99 | 4.80 | 2.01 | 4.68 | 2.03 | 4.62 | 2.03 | 4.56 | 2.03 | 4.44 | 2.05 |
| 16+16+10 | 15 | 10.95 | 2.59 | 10.83 | 2.61 | 10.71 | 2.63 | 10.65 | 2.64 | 10.59 | 2.64 | 10.46 | 2.66 |
| | 10 | 9.95 | 2.49 | 9.83 | 2.51 | 9.70 | 2.53 | 9.64 | 2.54 | 9.58 | 2.54 | 9.46 | 2.56 |
| | 6 | 9.15 | 2.41 | 9.02 | 2.43 | 8.90 | 2.45 | 8.84 | 2.46 | 8.78 | 2.46 | 8.65 | 2.47 |
| | 0 | 7.94 | 2.29 | 7.82 | 2.31 | 7.70 | 2.33 | 7.64 | 2.34 | 7.57 | 2.34 | 7.45 | 2.35 |
| | -5 | 6.94 | 2.19 | 6.82 | 2.21 | 6.69 | 2.23 | 6.63 | 2.24 | 6.57 | 2.24 | 6.45 | 2.25 |
| | -10 | 5.93 | 2.09 | 5.81 | 2.11 | 5.69 | 2.13 | 5.62 | 2.13 | 5.56 | 2.13 | 5.44 | 2.15 |
| | -15 | 4.93 | 1.99 | 4.80 | 2.01 | 4.68 | 2.03 | 4.62 | 2.03 | 4.56 | 2.03 | 4.44 | 2.05 |
| 18+16+10 | 15 | 10.95 | 2.59 | 10.83 | 2.61 | 10.71 | 2.63 | 10.65 | 2.64 | 10.59 | 2.64 | 10.46 | 2.66 |
| | 10 | 9.95 | 2.49 | 9.83 | 2.51 | 9.70 | 2.53 | 9.64 | 2.54 | 9.58 | 2.54 | 9.46 | 2.56 |
| | 6 | 9.15 | 2.41 | 9.02 | 2.43 | 8.90 | 2.45 | 8.84 | 2.46 | 8.78 | 2.46 | 8.65 | 2.47 |
| | 0 | 7.94 | 2.29 | 7.82 | 2.31 | 7.70 | 2.33 | 7.64 | 2.34 | 7.57 | 2.34 | 7.45 | 2.35 |
| | -5 | 6.94 | 2.19 | 6.82 | 2.21 | 6.69 | 2.23 | 6.63 | 2.24 | 6.57 | 2.24 | 6.45 | 2.25 |
| | -10 | 5.93 | 2.09 | 5.81 | 2.11 | 5.69 | 2.13 | 5.62 | 2.13 | 5.56 | 2.13 | 5.44 | 2.15 |
| | -15 | 4.93 | 1.99 | 4.80 | 2.01 | 4.68 | 2.03 | 4.62 | 2.03 | 4.56 | 2.03 | 4.44 | 2.05 |
| 22+16+10 | 15 | 10.95 | 2.59 | 10.83 | 2.61 | 10.71 | 2.63 | 10.65 | 2.64 | 10.59 | 2.64 | 10.46 | 2.66 |
| | 10 | 9.95 | 2.49 | 9.83 | 2.51 | 9.70 | 2.53 | 9.64 | 2.54 | 9.58 | 2.54 | 9.46 | 2.56 |
| | 6 | 9.15 | 2.41 | 9.02 | 2.43 | 8.90 | 2.45 | 8.84 | 2.46 | 8.78 | 2.46 | 8.65 | 2.47 |
| | 0 | 7.94 | 2.29 | 7.82 | 2.31 | 7.70 | 2.33 | 7.64 | 2.34 | 7.57 | 2.34 | 7.45 | 2.35 |
| | -5 | 6.94 | 2.19 | 6.82 | 2.21 | 6.69 | 2.23 | 6.63 | 2.24 | 6.57 | 2.24 | 6.45 | 2.25 |
| | -10 | 5.93 | 2.09 | 5.81 | 2.11 | 5.69 | 2.13 | 5.62 | 2.13 | 5.56 | 2.13 | 5.44 | 2.15 |
| | -15 | 4.93 | 1.99 | 4.80 | 2.01 | 4.68 | 2.03 | 4.62 | 2.03 | 4.56 | 2.03 | 4.44 | 2.05 |

Heating

4 - rooms multisplit : 3 - unit operation

Indoor units : 24 type + 16 type + 10 type 13 type + 13 type + 13 type
 18 type + 18 type + 10 type 16 type + 13 type + 13 type
 22 type + 18 type + 10 type 18 type + 13 type + 13 type
 24 type + 18 type + 10 type 22 type + 13 type + 13 type

Outdoor unit : RAS-4M27U2AVG-E

| Combination (Capacity) | Outdoor air temp. [°C WB] | Indoor air temp. [°C DB] | | | | | | | | | | | |
|---------------------------|---------------------------------|--------------------------|------------|------------|------------|------------|------------|------------|------------|------------|------------|------------|------------|
| | | 16 | | 18 | | 20 | | 21 | | 22 | | 24 | |
| | | TC [kW] | PI [kW] | TC [kW] | PI [kW] | TC [kW] | PI [kW] | TC [kW] | PI [kW] | TC [kW] | PI [kW] | TC [kW] | PI [kW] |
| 24+16+10 | 15 | 10.95 | 2.59 | 10.83 | 2.61 | 10.71 | 2.63 | 10.65 | 2.64 | 10.59 | 2.64 | 10.46 | 2.66 |
| | 10 | 9.95 | 2.49 | 9.83 | 2.51 | 9.70 | 2.53 | 9.64 | 2.54 | 9.58 | 2.54 | 9.46 | 2.56 |
| | 6 | 9.15 | 2.41 | 9.02 | 2.43 | 8.90 | 2.45 | 8.84 | 2.46 | 8.78 | 2.46 | 8.65 | 2.47 |
| | 0 | 7.94 | 2.29 | 7.82 | 2.31 | 7.70 | 2.33 | 7.64 | 2.34 | 7.57 | 2.34 | 7.45 | 2.35 |
| | -5 | 6.94 | 2.19 | 6.82 | 2.21 | 6.69 | 2.23 | 6.63 | 2.24 | 6.57 | 2.24 | 6.45 | 2.25 |
| | -10 | 5.93 | 2.09 | 5.81 | 2.11 | 5.69 | 2.13 | 5.62 | 2.13 | 5.56 | 2.13 | 5.44 | 2.15 |
| | -15 | 4.93 | 1.99 | 4.80 | 2.01 | 4.68 | 2.03 | 4.62 | 2.03 | 4.56 | 2.03 | 4.44 | 2.05 |
| 18+18+10 | 15 | 10.95 | 2.59 | 10.83 | 2.61 | 10.71 | 2.63 | 10.65 | 2.64 | 10.59 | 2.64 | 10.46 | 2.66 |
| | 10 | 9.95 | 2.49 | 9.83 | 2.51 | 9.70 | 2.53 | 9.64 | 2.54 | 9.58 | 2.54 | 9.46 | 2.56 |
| | 6 | 9.15 | 2.41 | 9.02 | 2.43 | 8.90 | 2.45 | 8.84 | 2.46 | 8.78 | 2.46 | 8.65 | 2.47 |
| | 0 | 7.94 | 2.29 | 7.82 | 2.31 | 7.70 | 2.33 | 7.64 | 2.34 | 7.57 | 2.34 | 7.45 | 2.35 |
| | -5 | 6.94 | 2.19 | 6.82 | 2.21 | 6.69 | 2.23 | 6.63 | 2.24 | 6.57 | 2.24 | 6.45 | 2.25 |
| | -10 | 5.93 | 2.09 | 5.81 | 2.11 | 5.69 | 2.13 | 5.62 | 2.13 | 5.56 | 2.13 | 5.44 | 2.15 |
| | -15 | 4.93 | 1.99 | 4.80 | 2.01 | 4.68 | 2.03 | 4.62 | 2.03 | 4.56 | 2.03 | 4.44 | 2.05 |
| 22+18+10 | 15 | 10.95 | 2.59 | 10.83 | 2.61 | 10.71 | 2.63 | 10.65 | 2.64 | 10.59 | 2.64 | 10.46 | 2.66 |
| | 10 | 9.95 | 2.49 | 9.83 | 2.51 | 9.70 | 2.53 | 9.64 | 2.54 | 9.58 | 2.54 | 9.46 | 2.56 |
| | 6 | 9.15 | 2.41 | 9.02 | 2.43 | 8.90 | 2.45 | 8.84 | 2.46 | 8.78 | 2.46 | 8.65 | 2.47 |
| | 0 | 7.94 | 2.29 | 7.82 | 2.31 | 7.70 | 2.33 | 7.64 | 2.34 | 7.57 | 2.34 | 7.45 | 2.35 |
| | -5 | 6.94 | 2.19 | 6.82 | 2.21 | 6.69 | 2.23 | 6.63 | 2.24 | 6.57 | 2.24 | 6.45 | 2.25 |
| | -10 | 5.93 | 2.09 | 5.81 | 2.11 | 5.69 | 2.13 | 5.62 | 2.13 | 5.56 | 2.13 | 5.44 | 2.15 |
| | -15 | 4.93 | 1.99 | 4.80 | 2.01 | 4.68 | 2.03 | 4.62 | 2.03 | 4.56 | 2.03 | 4.44 | 2.05 |
| 24+18+10 | 15 | 10.95 | 2.59 | 10.83 | 2.61 | 10.71 | 2.63 | 10.65 | 2.64 | 10.59 | 2.64 | 10.46 | 2.66 |
| | 10 | 9.95 | 2.49 | 9.83 | 2.51 | 9.70 | 2.53 | 9.64 | 2.54 | 9.58 | 2.54 | 9.46 | 2.56 |
| | 6 | 9.15 | 2.41 | 9.02 | 2.43 | 8.90 | 2.45 | 8.84 | 2.46 | 8.78 | 2.46 | 8.65 | 2.47 |
| | 0 | 7.94 | 2.29 | 7.82 | 2.31 | 7.70 | 2.33 | 7.64 | 2.34 | 7.57 | 2.34 | 7.45 | 2.35 |
| | -5 | 6.94 | 2.19 | 6.82 | 2.21 | 6.69 | 2.23 | 6.63 | 2.24 | 6.57 | 2.24 | 6.45 | 2.25 |
| | -10 | 5.93 | 2.09 | 5.81 | 2.11 | 5.69 | 2.13 | 5.62 | 2.13 | 5.56 | 2.13 | 5.44 | 2.15 |
| | -15 | 4.93 | 1.99 | 4.80 | 2.01 | 4.68 | 2.03 | 4.62 | 2.03 | 4.56 | 2.03 | 4.44 | 2.05 |
| 13+13+13 | 15 | 10.83 | 2.54 | 10.71 | 2.56 | 10.59 | 2.58 | 10.53 | 2.59 | 10.47 | 2.59 | 10.35 | 2.60 |
| | 10 | 9.84 | 2.44 | 9.71 | 2.46 | 9.59 | 2.48 | 9.53 | 2.49 | 9.47 | 2.49 | 9.35 | 2.50 |
| | 6 | 9.04 | 2.36 | 8.92 | 2.38 | 8.80 | 2.40 | 8.74 | 2.41 | 8.68 | 2.41 | 8.55 | 2.42 |
| | 0 | 7.85 | 2.25 | 7.73 | 2.26 | 7.61 | 2.28 | 7.55 | 2.29 | 7.49 | 2.29 | 7.37 | 2.30 |
| | -5 | 6.86 | 2.15 | 6.74 | 2.16 | 6.62 | 2.18 | 6.56 | 2.19 | 6.50 | 2.19 | 6.37 | 2.20 |
| | -10 | 5.87 | 2.05 | 5.74 | 2.06 | 5.62 | 2.08 | 5.56 | 2.09 | 5.50 | 2.09 | 5.38 | 2.10 |
| | -15 | 4.87 | 1.95 | 4.75 | 1.97 | 4.63 | 1.99 | 4.57 | 1.99 | 4.51 | 1.99 | 4.39 | 2.00 |
| 16+13+13 | 15 | 10.95 | 2.59 | 10.83 | 2.61 | 10.71 | 2.63 | 10.65 | 2.64 | 10.59 | 2.64 | 10.46 | 2.66 |
| | 10 | 9.95 | 2.49 | 9.83 | 2.51 | 9.70 | 2.53 | 9.64 | 2.54 | 9.58 | 2.54 | 9.46 | 2.56 |
| | 6 | 9.15 | 2.41 | 9.02 | 2.43 | 8.90 | 2.45 | 8.84 | 2.46 | 8.78 | 2.46 | 8.65 | 2.47 |
| | 0 | 7.94 | 2.29 | 7.82 | 2.31 | 7.70 | 2.33 | 7.64 | 2.34 | 7.57 | 2.34 | 7.45 | 2.35 |
| | -5 | 6.94 | 2.19 | 6.82 | 2.21 | 6.69 | 2.23 | 6.63 | 2.24 | 6.57 | 2.24 | 6.45 | 2.25 |
| | -10 | 5.93 | 2.09 | 5.81 | 2.11 | 5.69 | 2.13 | 5.62 | 2.13 | 5.56 | 2.13 | 5.44 | 2.15 |
| | -15 | 4.93 | 1.99 | 4.80 | 2.01 | 4.68 | 2.03 | 4.62 | 2.03 | 4.56 | 2.03 | 4.44 | 2.05 |
| 18+13+13 | 15 | 10.95 | 2.59 | 10.83 | 2.61 | 10.71 | 2.63 | 10.65 | 2.64 | 10.59 | 2.64 | 10.46 | 2.66 |
| | 10 | 9.95 | 2.49 | 9.83 | 2.51 | 9.70 | 2.53 | 9.64 | 2.54 | 9.58 | 2.54 | 9.46 | 2.56 |
| | 6 | 9.15 | 2.41 | 9.02 | 2.43 | 8.90 | 2.45 | 8.84 | 2.46 | 8.78 | 2.46 | 8.65 | 2.47 |
| | 0 | 7.94 | 2.29 | 7.82 | 2.31 | 7.70 | 2.33 | 7.64 | 2.34 | 7.57 | 2.34 | 7.45 | 2.35 |
| | -5 | 6.94 | 2.19 | 6.82 | 2.21 | 6.69 | 2.23 | 6.63 | 2.24 | 6.57 | 2.24 | 6.45 | 2.25 |
| | -10 | 5.93 | 2.09 | 5.81 | 2.11 | 5.69 | 2.13 | 5.62 | 2.13 | 5.56 | 2.13 | 5.44 | 2.15 |
| | -15 | 4.93 | 1.99 | 4.80 | 2.01 | 4.68 | 2.03 | 4.62 | 2.03 | 4.56 | 2.03 | 4.44 | 2.05 |
| 22+13+13 | 15 | 10.95 | 2.59 | 10.83 | 2.61 | 10.71 | 2.63 | 10.65 | 2.64 | 10.59 | 2.64 | 10.46 | 2.66 |
| | 10 | 9.95 | 2.49 | 9.83 | 2.51 | 9.70 | 2.53 | 9.64 | 2.54 | 9.58 | 2.54 | 9.46 | 2.56 |
| | 6 | 9.15 | 2.41 | 9.02 | 2.43 | 8.90 | 2.45 | 8.84 | 2.46 | 8.78 | 2.46 | 8.65 | 2.47 |
| | 0 | 7.94 | 2.29 | 7.82 | 2.31 | 7.70 | 2.33 | 7.64 | 2.34 | 7.57 | 2.34 | 7.45 | 2.35 |
| | -5 | 6.94 | 2.19 | 6.82 | 2.21 | 6.69 | 2.23 | 6.63 | 2.24 | 6.57 | 2.24 | 6.45 | 2.25 |
| | -10 | 5.93 | 2.09 | 5.81 | 2.11 | 5.69 | 2.13 | 5.62 | 2.13 | 5.56 | 2.13 | 5.44 | 2.15 |
| | -15 | 4.93 | 1.99 | 4.80 | 2.01 | 4.68 | 2.03 | 4.62 | 2.03 | 4.56 | 2.03 | 4.44 | 2.05 |

Heating

4 - rooms multisplit : 3 - unit operation

Indoor units : 24 type + 13 type + 13 type 24 type + 16 type + 13 type
 16 type + 16 type + 13 type 18 type + 18 type + 13 type
 18 type + 16 type + 13 type 22 type + 18 type + 13 type
 22 type + 16 type + 13 type 16 type + 16 type + 16 type

Outdoor unit : RAS-4M27U2AVG-E

| Combination (Capacity) | Outdoor air temp. [°C WB] | Indoor air temp. [°C DB] | | | | | | | | | | | |
|---------------------------|---------------------------------|--------------------------|------------|------------|------------|------------|------------|------------|------------|------------|------------|------------|------------|
| | | 16 | | 18 | | 20 | | 21 | | 22 | | 24 | |
| | | TC [kW] | PI [kW] | TC [kW] | PI [kW] | TC [kW] | PI [kW] | TC [kW] | PI [kW] | TC [kW] | PI [kW] | TC [kW] | PI [kW] |
| 24+13+13 | 15 | 10.95 | 2.59 | 10.83 | 2.61 | 10.71 | 2.63 | 10.65 | 2.64 | 10.59 | 2.64 | 10.46 | 2.66 |
| | 10 | 9.95 | 2.49 | 9.83 | 2.51 | 9.70 | 2.53 | 9.64 | 2.54 | 9.58 | 2.54 | 9.46 | 2.56 |
| | 6 | 9.15 | 2.41 | 9.02 | 2.43 | 8.90 | 2.45 | 8.84 | 2.46 | 8.78 | 2.46 | 8.65 | 2.47 |
| | 0 | 7.94 | 2.29 | 7.82 | 2.31 | 7.70 | 2.33 | 7.64 | 2.34 | 7.57 | 2.34 | 7.45 | 2.35 |
| | -5 | 6.94 | 2.19 | 6.82 | 2.21 | 6.69 | 2.23 | 6.63 | 2.24 | 6.57 | 2.24 | 6.45 | 2.25 |
| | -10 | 5.93 | 2.09 | 5.81 | 2.11 | 5.69 | 2.13 | 5.62 | 2.13 | 5.56 | 2.13 | 5.44 | 2.15 |
| | -15 | 4.93 | 1.99 | 4.80 | 2.01 | 4.68 | 2.03 | 4.62 | 2.03 | 4.56 | 2.03 | 4.44 | 2.05 |
| 16+16+13 | 15 | 10.95 | 2.59 | 10.83 | 2.61 | 10.71 | 2.63 | 10.65 | 2.64 | 10.59 | 2.64 | 10.46 | 2.66 |
| | 10 | 9.95 | 2.49 | 9.83 | 2.51 | 9.70 | 2.53 | 9.64 | 2.54 | 9.58 | 2.54 | 9.46 | 2.56 |
| | 6 | 9.15 | 2.41 | 9.02 | 2.43 | 8.90 | 2.45 | 8.84 | 2.46 | 8.78 | 2.46 | 8.65 | 2.47 |
| | 0 | 7.94 | 2.29 | 7.82 | 2.31 | 7.70 | 2.33 | 7.64 | 2.34 | 7.57 | 2.34 | 7.45 | 2.35 |
| | -5 | 6.94 | 2.19 | 6.82 | 2.21 | 6.69 | 2.23 | 6.63 | 2.24 | 6.57 | 2.24 | 6.45 | 2.25 |
| | -10 | 5.93 | 2.09 | 5.81 | 2.11 | 5.69 | 2.13 | 5.62 | 2.13 | 5.56 | 2.13 | 5.44 | 2.15 |
| | -15 | 4.93 | 1.99 | 4.80 | 2.01 | 4.68 | 2.03 | 4.62 | 2.03 | 4.56 | 2.03 | 4.44 | 2.05 |
| 18+16+13 | 15 | 10.95 | 2.59 | 10.83 | 2.61 | 10.71 | 2.63 | 10.65 | 2.64 | 10.59 | 2.64 | 10.46 | 2.66 |
| | 10 | 9.95 | 2.49 | 9.83 | 2.51 | 9.70 | 2.53 | 9.64 | 2.54 | 9.58 | 2.54 | 9.46 | 2.56 |
| | 6 | 9.15 | 2.41 | 9.02 | 2.43 | 8.90 | 2.45 | 8.84 | 2.46 | 8.78 | 2.46 | 8.65 | 2.47 |
| | 0 | 7.94 | 2.29 | 7.82 | 2.31 | 7.70 | 2.33 | 7.64 | 2.34 | 7.57 | 2.34 | 7.45 | 2.35 |
| | -5 | 6.94 | 2.19 | 6.82 | 2.21 | 6.69 | 2.23 | 6.63 | 2.24 | 6.57 | 2.24 | 6.45 | 2.25 |
| | -10 | 5.93 | 2.09 | 5.81 | 2.11 | 5.69 | 2.13 | 5.62 | 2.13 | 5.56 | 2.13 | 5.44 | 2.15 |
| | -15 | 4.93 | 1.99 | 4.80 | 2.01 | 4.68 | 2.03 | 4.62 | 2.03 | 4.56 | 2.03 | 4.44 | 2.05 |
| 22+16+13 | 15 | 10.95 | 2.59 | 10.83 | 2.61 | 10.71 | 2.63 | 10.65 | 2.64 | 10.59 | 2.64 | 10.46 | 2.66 |
| | 10 | 9.95 | 2.49 | 9.83 | 2.51 | 9.70 | 2.53 | 9.64 | 2.54 | 9.58 | 2.54 | 9.46 | 2.56 |
| | 6 | 9.15 | 2.41 | 9.02 | 2.43 | 8.90 | 2.45 | 8.84 | 2.46 | 8.78 | 2.46 | 8.65 | 2.47 |
| | 0 | 7.94 | 2.29 | 7.82 | 2.31 | 7.70 | 2.33 | 7.64 | 2.34 | 7.57 | 2.34 | 7.45 | 2.35 |
| | -5 | 6.94 | 2.19 | 6.82 | 2.21 | 6.69 | 2.23 | 6.63 | 2.24 | 6.57 | 2.24 | 6.45 | 2.25 |
| | -10 | 5.93 | 2.09 | 5.81 | 2.11 | 5.69 | 2.13 | 5.62 | 2.13 | 5.56 | 2.13 | 5.44 | 2.15 |
| | -15 | 4.93 | 1.99 | 4.80 | 2.01 | 4.68 | 2.03 | 4.62 | 2.03 | 4.56 | 2.03 | 4.44 | 2.05 |
| 24+16+13 | 15 | 10.95 | 2.59 | 10.83 | 2.61 | 10.71 | 2.63 | 10.65 | 2.64 | 10.59 | 2.64 | 10.46 | 2.66 |
| | 10 | 9.95 | 2.49 | 9.83 | 2.51 | 9.70 | 2.53 | 9.64 | 2.54 | 9.58 | 2.54 | 9.46 | 2.56 |
| | 6 | 9.15 | 2.41 | 9.02 | 2.43 | 8.90 | 2.45 | 8.84 | 2.46 | 8.78 | 2.46 | 8.65 | 2.47 |
| | 0 | 7.94 | 2.29 | 7.82 | 2.31 | 7.70 | 2.33 | 7.64 | 2.34 | 7.57 | 2.34 | 7.45 | 2.35 |
| | -5 | 6.94 | 2.19 | 6.82 | 2.21 | 6.69 | 2.23 | 6.63 | 2.24 | 6.57 | 2.24 | 6.45 | 2.25 |
| | -10 | 5.93 | 2.09 | 5.81 | 2.11 | 5.69 | 2.13 | 5.62 | 2.13 | 5.56 | 2.13 | 5.44 | 2.15 |
| | -15 | 4.93 | 1.99 | 4.80 | 2.01 | 4.68 | 2.03 | 4.62 | 2.03 | 4.56 | 2.03 | 4.44 | 2.05 |
| 18+18+13 | 15 | 10.95 | 2.59 | 10.83 | 2.61 | 10.71 | 2.63 | 10.65 | 2.64 | 10.59 | 2.64 | 10.46 | 2.66 |
| | 10 | 9.95 | 2.49 | 9.83 | 2.51 | 9.70 | 2.53 | 9.64 | 2.54 | 9.58 | 2.54 | 9.46 | 2.56 |
| | 6 | 9.15 | 2.41 | 9.02 | 2.43 | 8.90 | 2.45 | 8.84 | 2.46 | 8.78 | 2.46 | 8.65 | 2.47 |
| | 0 | 7.94 | 2.29 | 7.82 | 2.31 | 7.70 | 2.33 | 7.64 | 2.34 | 7.57 | 2.34 | 7.45 | 2.35 |
| | -5 | 6.94 | 2.19 | 6.82 | 2.21 | 6.69 | 2.23 | 6.63 | 2.24 | 6.57 | 2.24 | 6.45 | 2.25 |
| | -10 | 5.93 | 2.09 | 5.81 | 2.11 | 5.69 | 2.13 | 5.62 | 2.13 | 5.56 | 2.13 | 5.44 | 2.15 |
| | -15 | 4.93 | 1.99 | 4.80 | 2.01 | 4.68 | 2.03 | 4.62 | 2.03 | 4.56 | 2.03 | 4.44 | 2.05 |
| 22+18+13 | 15 | 10.95 | 2.59 | 10.83 | 2.61 | 10.71 | 2.63 | 10.65 | 2.64 | 10.59 | 2.64 | 10.46 | 2.66 |
| | 10 | 9.95 | 2.49 | 9.83 | 2.51 | 9.70 | 2.53 | 9.64 | 2.54 | 9.58 | 2.54 | 9.46 | 2.56 |
| | 6 | 9.15 | 2.41 | 9.02 | 2.43 | 8.90 | 2.45 | 8.84 | 2.46 | 8.78 | 2.46 | 8.65 | 2.47 |
| | 0 | 7.94 | 2.29 | 7.82 | 2.31 | 7.70 | 2.33 | 7.64 | 2.34 | 7.57 | 2.34 | 7.45 | 2.35 |
| | -5 | 6.94 | 2.19 | 6.82 | 2.21 | 6.69 | 2.23 | 6.63 | 2.24 | 6.57 | 2.24 | 6.45 | 2.25 |
| | -10 | 5.93 | 2.09 | 5.81 | 2.11 | 5.69 | 2.13 | 5.62 | 2.13 | 5.56 | 2.13 | 5.44 | 2.15 |
| | -15 | 4.93 | 1.99 | 4.80 | 2.01 | 4.68 | 2.03 | 4.62 | 2.03 | 4.56 | 2.03 | 4.44 | 2.05 |
| 16+16+16 | 15 | 10.95 | 2.59 | 10.83 | 2.61 | 10.71 | 2.63 | 10.65 | 2.64 | 10.59 | 2.64 | 10.46 | 2.66 |
| | 10 | 9.95 | 2.49 | 9.83 | 2.51 | 9.70 | 2.53 | 9.64 | 2.54 | 9.58 | 2.54 | 9.46 | 2.56 |
| | 6 | 9.15 | 2.41 | 9.02 | 2.43 | 8.90 | 2.45 | 8.84 | 2.46 | 8.78 | 2.46 | 8.65 | 2.47 |
| | 0 | 7.94 | 2.29 | 7.82 | 2.31 | 7.70 | 2.33 | 7.64 | 2.34 | 7.57 | 2.34 | 7.45 | 2.35 |
| | -5 | 6.94 | 2.19 | 6.82 | 2.21 | 6.69 | 2.23 | 6.63 | 2.24 | 6.57 | 2.24 | 6.45 | 2.25 |
| | -10 | 5.93 | 2.09 | 5.81 | 2.11 | 5.69 | 2.13 | 5.62 | 2.13 | 5.56 | 2.13 | 5.44 | 2.15 |
| | -15 | 4.93 | 1.99 | 4.80 | 2.01 | 4.68 | 2.03 | 4.62 | 2.03 | 4.56 | 2.03 | 4.44 | 2.05 |

Heating

4 - rooms multisplit : 3 - unit operation

Indoor units : 24 type + 16 type + 16 type

Outdoor unit : RAS-4M27U2AVG-E

| Combination (Capacity) | Outdoor air temp. [°C WB] | Indoor air temp. [°C DB] | | | | | | | | | | | |
|---------------------------|---------------------------------|--------------------------|------------|------------|------------|------------|------------|------------|------------|------------|------------|------------|------------|
| | | 16 | | 18 | | 20 | | 21 | | 22 | | 24 | |
| | | TC [kW] | PI [kW] | TC [kW] | PI [kW] | TC [kW] | PI [kW] | TC [kW] | PI [kW] | TC [kW] | PI [kW] | TC [kW] | PI [kW] |
| 22+16+16 | 15 | 10.95 | 2.59 | 10.83 | 2.61 | 10.71 | 2.63 | 10.65 | 2.64 | 10.59 | 2.64 | 10.46 | 2.66 |
| | 10 | 9.95 | 2.49 | 9.83 | 2.51 | 9.70 | 2.53 | 9.64 | 2.54 | 9.58 | 2.54 | 9.46 | 2.56 |
| | 6 | 9.15 | 2.41 | 9.02 | 2.43 | 8.90 | 2.45 | 8.84 | 2.46 | 8.78 | 2.46 | 8.65 | 2.47 |
| | 0 | 7.94 | 2.29 | 7.82 | 2.31 | 7.70 | 2.33 | 7.64 | 2.34 | 7.57 | 2.34 | 7.45 | 2.35 |
| | -5 | 6.94 | 2.19 | 6.82 | 2.21 | 6.69 | 2.23 | 6.63 | 2.24 | 6.57 | 2.24 | 6.45 | 2.25 |
| | -10 | 5.93 | 2.09 | 5.81 | 2.11 | 5.69 | 2.13 | 5.62 | 2.13 | 5.56 | 2.13 | 5.44 | 2.15 |
| | -15 | 4.93 | 1.99 | 4.80 | 2.01 | 4.68 | 2.03 | 4.62 | 2.03 | 4.56 | 2.03 | 4.44 | 2.05 |

Heating

4 - rooms multisplit : 4 - unit operation

Indoor units : 05 type + 05 type + 05 type + 05 type 16 type + 05 type + 05 type + 05 type
 07 type + 05 type + 05 type + 05 type 18 type + 05 type + 05 type + 05 type
 10 type + 05 type + 05 type + 05 type 07 type + 07 type + 05 type + 05 type
 13 type + 05 type + 05 type + 05 type 10 type + 07 type + 05 type + 05 type

Outdoor unit : RAS-4M27U2AVG-E

| Combination (Capacity) | Outdoor air temp. [°C WB] | Indoor air temp. [°C DB] | | | | | | | | | | | |
|---------------------------|---------------------------------|--------------------------|------------|------------|------------|------------|------------|------------|------------|------------|------------|------------|------------|
| | | 16 | | 18 | | 20 | | 21 | | 22 | | 24 | |
| | | TC [kW] | PI [kW] | TC [kW] | PI [kW] | TC [kW] | PI [kW] | TC [kW] | PI [kW] | TC [kW] | PI [kW] | TC [kW] | PI [kW] |
| 05+05+05+05 | 15 | 8.00 | 1.48 | 7.91 | 1.49 | 7.82 | 1.51 | 7.78 | 1.51 | 7.73 | 1.51 | 7.64 | 1.52 |
| | 10 | 7.27 | 1.42 | 7.18 | 1.43 | 7.09 | 1.45 | 7.04 | 1.45 | 7.00 | 1.45 | 6.91 | 1.46 |
| | 6 | 6.68 | 1.38 | 6.59 | 1.39 | 6.50 | 1.40 | 6.45 | 1.40 | 6.41 | 1.40 | 6.32 | 1.41 |
| | 0 | 5.80 | 1.31 | 5.71 | 1.32 | 5.62 | 1.33 | 5.58 | 1.34 | 5.53 | 1.34 | 5.44 | 1.34 |
| | -5 | 5.07 | 1.25 | 4.98 | 1.26 | 4.89 | 1.27 | 4.84 | 1.28 | 4.80 | 1.28 | 4.71 | 1.29 |
| | -10 | 4.33 | 1.20 | 4.24 | 1.20 | 4.15 | 1.22 | 4.11 | 1.22 | 4.06 | 1.22 | 3.97 | 1.23 |
| | -15 | 3.60 | 1.14 | 3.51 | 1.15 | 3.42 | 1.16 | 3.37 | 1.16 | 3.33 | 1.16 | 3.24 | 1.17 |
| 07+05+05+05 | 15 | 9.23 | 1.72 | 9.13 | 1.74 | 9.02 | 1.75 | 8.97 | 1.76 | 8.92 | 1.76 | 8.82 | 1.77 |
| | 10 | 8.38 | 1.66 | 8.28 | 1.67 | 8.18 | 1.69 | 8.12 | 1.69 | 8.07 | 1.69 | 7.97 | 1.70 |
| | 6 | 7.71 | 1.60 | 7.60 | 1.61 | 7.50 | 1.63 | 7.45 | 1.63 | 7.39 | 1.63 | 7.29 | 1.64 |
| | 0 | 6.69 | 1.53 | 6.59 | 1.54 | 6.48 | 1.55 | 6.43 | 1.55 | 6.38 | 1.55 | 6.28 | 1.56 |
| | -5 | 5.85 | 1.46 | 5.74 | 1.47 | 5.64 | 1.48 | 5.59 | 1.49 | 5.54 | 1.49 | 5.43 | 1.50 |
| | -10 | 5.00 | 1.39 | 4.90 | 1.40 | 4.79 | 1.42 | 4.74 | 1.42 | 4.69 | 1.42 | 4.58 | 1.43 |
| | -15 | 4.15 | 1.33 | 4.05 | 1.33 | 3.95 | 1.35 | 3.89 | 1.35 | 3.84 | 1.35 | 3.74 | 1.36 |
| 10+05+05+05 | 15 | 10.34 | 1.96 | 10.22 | 1.97 | 10.11 | 1.99 | 10.05 | 1.99 | 9.99 | 1.99 | 9.88 | 2.01 |
| | 10 | 9.39 | 1.88 | 9.27 | 1.89 | 9.16 | 1.91 | 9.10 | 1.92 | 9.04 | 1.92 | 8.92 | 1.93 |
| | 6 | 8.63 | 1.82 | 8.51 | 1.83 | 8.40 | 1.85 | 8.34 | 1.86 | 8.28 | 1.86 | 8.17 | 1.87 |
| | 0 | 7.50 | 1.73 | 7.38 | 1.74 | 7.26 | 1.76 | 7.21 | 1.76 | 7.15 | 1.76 | 7.03 | 1.78 |
| | -5 | 6.55 | 1.66 | 6.43 | 1.67 | 6.32 | 1.68 | 6.26 | 1.69 | 6.20 | 1.69 | 6.09 | 1.70 |
| | -10 | 5.60 | 1.58 | 5.48 | 1.59 | 5.37 | 1.61 | 5.31 | 1.61 | 5.25 | 1.61 | 5.13 | 1.62 |
| | -15 | 4.65 | 1.51 | 4.53 | 1.51 | 4.42 | 1.53 | 4.36 | 1.53 | 4.30 | 1.53 | 4.19 | 1.54 |
| 13+05+05+05 | 15 | 10.83 | 1.99 | 10.71 | 2.00 | 10.59 | 2.02 | 10.53 | 2.03 | 10.47 | 2.03 | 10.35 | 2.04 |
| | 10 | 9.84 | 1.91 | 9.71 | 1.92 | 9.59 | 1.94 | 9.53 | 1.95 | 9.47 | 1.95 | 9.35 | 1.96 |
| | 6 | 9.04 | 1.85 | 8.92 | 1.86 | 8.80 | 1.88 | 8.74 | 1.89 | 8.68 | 1.89 | 8.55 | 1.90 |
| | 0 | 7.85 | 1.76 | 7.73 | 1.77 | 7.61 | 1.79 | 7.55 | 1.79 | 7.49 | 1.79 | 7.37 | 1.80 |
| | -5 | 6.86 | 1.68 | 6.74 | 1.69 | 6.62 | 1.71 | 6.56 | 1.72 | 6.50 | 1.72 | 6.37 | 1.73 |
| | -10 | 5.87 | 1.61 | 5.74 | 1.62 | 5.62 | 1.63 | 5.56 | 1.64 | 5.50 | 1.64 | 5.38 | 1.65 |
| | -15 | 4.87 | 1.53 | 4.75 | 1.54 | 4.63 | 1.55 | 4.57 | 1.56 | 4.51 | 1.56 | 4.39 | 1.57 |
| 16+05+05+05 | 15 | 10.83 | 2.00 | 10.71 | 2.01 | 10.59 | 2.03 | 10.53 | 2.04 | 10.47 | 2.04 | 10.35 | 2.05 |
| | 10 | 9.84 | 1.92 | 9.71 | 1.93 | 9.59 | 1.95 | 9.53 | 1.96 | 9.47 | 1.96 | 9.35 | 1.97 |
| | 6 | 9.04 | 1.86 | 8.92 | 1.87 | 8.80 | 1.89 | 8.74 | 1.90 | 8.68 | 1.90 | 8.55 | 1.91 |
| | 0 | 7.85 | 1.77 | 7.73 | 1.78 | 7.61 | 1.80 | 7.55 | 1.80 | 7.49 | 1.80 | 7.37 | 1.81 |
| | -5 | 6.86 | 1.69 | 6.74 | 1.70 | 6.62 | 1.72 | 6.56 | 1.72 | 6.50 | 1.72 | 6.37 | 1.74 |
| | -10 | 5.87 | 1.61 | 5.74 | 1.63 | 5.62 | 1.64 | 5.56 | 1.65 | 5.50 | 1.65 | 5.38 | 1.66 |
| | -15 | 4.87 | 1.54 | 4.75 | 1.55 | 4.63 | 1.56 | 4.57 | 1.57 | 4.51 | 1.57 | 4.39 | 1.58 |
| 18+05+05+05 | 15 | 10.83 | 2.02 | 10.71 | 2.03 | 10.59 | 2.05 | 10.53 | 2.06 | 10.47 | 2.06 | 10.35 | 2.07 |
| | 10 | 9.84 | 1.94 | 9.71 | 1.96 | 9.59 | 1.97 | 9.53 | 1.98 | 9.47 | 1.98 | 9.35 | 1.99 |
| | 6 | 9.04 | 1.88 | 8.92 | 1.89 | 8.80 | 1.91 | 8.74 | 1.92 | 8.68 | 1.92 | 8.55 | 1.93 |
| | 0 | 7.85 | 1.79 | 7.73 | 1.80 | 7.61 | 1.82 | 7.55 | 1.82 | 7.49 | 1.82 | 7.37 | 1.83 |
| | -5 | 6.86 | 1.71 | 6.74 | 1.72 | 6.62 | 1.74 | 6.56 | 1.74 | 6.50 | 1.74 | 6.37 | 1.75 |
| | -10 | 5.87 | 1.63 | 5.74 | 1.64 | 5.62 | 1.66 | 5.56 | 1.66 | 5.50 | 1.66 | 5.38 | 1.67 |
| | -15 | 4.87 | 1.55 | 4.75 | 1.56 | 4.63 | 1.58 | 4.57 | 1.58 | 4.51 | 1.58 | 4.39 | 1.59 |
| 07+07+05+05 | 15 | 10.09 | 1.90 | 9.98 | 1.92 | 9.87 | 1.94 | 9.81 | 1.94 | 9.75 | 1.94 | 9.64 | 1.95 |
| | 10 | 9.17 | 1.83 | 9.05 | 1.84 | 8.94 | 1.86 | 8.88 | 1.87 | 8.83 | 1.87 | 8.71 | 1.88 |
| | 6 | 8.43 | 1.77 | 8.31 | 1.78 | 8.20 | 1.80 | 8.14 | 1.81 | 8.09 | 1.81 | 7.97 | 1.82 |
| | 0 | 7.32 | 1.68 | 7.20 | 1.70 | 7.09 | 1.71 | 7.03 | 1.72 | 6.98 | 1.72 | 6.87 | 1.73 |
| | -5 | 6.39 | 1.61 | 6.28 | 1.62 | 6.16 | 1.64 | 6.11 | 1.64 | 6.05 | 1.64 | 5.94 | 1.65 |
| | -10 | 5.47 | 1.54 | 5.35 | 1.55 | 5.24 | 1.56 | 5.18 | 1.57 | 5.12 | 1.57 | 5.01 | 1.58 |
| | -15 | 4.54 | 1.46 | 4.43 | 1.47 | 4.31 | 1.49 | 4.26 | 1.49 | 4.20 | 1.49 | 4.09 | 1.50 |
| 10+07+05+05 | 15 | 10.58 | 1.98 | 10.47 | 1.99 | 10.35 | 2.01 | 10.29 | 2.02 | 10.23 | 2.02 | 10.11 | 2.03 |
| | 10 | 9.61 | 1.90 | 9.49 | 1.91 | 9.38 | 1.93 | 9.32 | 1.94 | 9.26 | 1.94 | 9.14 | 1.95 |
| | 6 | 8.84 | 1.84 | 8.72 | 1.85 | 8.60 | 1.87 | 8.54 | 1.88 | 8.48 | 1.88 | 8.36 | 1.89 |
| | 0 | 7.67 | 1.75 | 7.56 | 1.76 | 7.44 | 1.78 | 7.38 | 1.78 | 7.32 | 1.78 | 7.20 | 1.80 |
| | -5 | 6.70 | 1.67 | 6.59 | 1.68 | 6.47 | 1.70 | 6.41 | 1.71 | 6.35 | 1.71 | 6.23 | 1.72 |
| | -10 | 5.73 | 1.60 | 5.61 | 1.61 | 5.50 | 1.62 | 5.43 | 1.63 | 5.37 | 1.63 | 5.26 | 1.64 |
| | -15 | 4.76 | 1.52 | 4.64 | 1.53 | 4.53 | 1.55 | 4.46 | 1.55 | 4.40 | 1.55 | 4.29 | 1.56 |

Heating

4 - rooms multisplit : 4 - unit operation

Indoor units : 13 type + 07 type + 05 type + 05 type 13 type + 10 type + 05 type + 05 type
 16 type + 07 type + 05 type + 05 type 16 type + 10 type + 05 type + 05 type
 18 type + 07 type + 05 type + 05 type 18 type + 10 type + 05 type + 05 type
 10 type + 10 type + 05 type + 05 type 13 type + 13 type + 05 type + 05 type

Outdoor unit : RAS-4M27U2AVG-E

| Combination (Capacity) | Outdoor air temp. [°C WB] | Indoor air temp. [°C DB] | | | | | | | | | | | |
|---------------------------|---------------------------------|--------------------------|------------|------------|------------|------------|------------|------------|------------|------------|------------|------------|------------|
| | | 16 | | 18 | | 20 | | 21 | | 22 | | 24 | |
| | | TC [kW] | PI [kW] | TC [kW] | PI [kW] | TC [kW] | PI [kW] | TC [kW] | PI [kW] | TC [kW] | PI [kW] | TC [kW] | PI [kW] |
| 13+07+05+05 | 15 | 10.83 | 2.01 | 10.71 | 2.02 | 10.59 | 2.04 | 10.53 | 2.05 | 10.47 | 2.05 | 10.35 | 2.06 |
| | 10 | 9.84 | 1.93 | 9.71 | 1.94 | 9.59 | 1.96 | 9.53 | 1.97 | 9.47 | 1.97 | 9.35 | 1.98 |
| | 6 | 9.04 | 1.87 | 8.92 | 1.88 | 8.80 | 1.90 | 8.74 | 1.91 | 8.68 | 1.91 | 8.55 | 1.92 |
| | 0 | 7.85 | 1.78 | 7.73 | 1.79 | 7.61 | 1.81 | 7.55 | 1.81 | 7.49 | 1.81 | 7.37 | 1.82 |
| | -5 | 6.86 | 1.70 | 6.74 | 1.71 | 6.62 | 1.73 | 6.56 | 1.73 | 6.50 | 1.73 | 6.37 | 1.74 |
| | -10 | 5.87 | 1.62 | 5.74 | 1.63 | 5.62 | 1.65 | 5.56 | 1.65 | 5.50 | 1.65 | 5.38 | 1.67 |
| | -15 | 4.87 | 1.55 | 4.75 | 1.56 | 4.63 | 1.57 | 4.57 | 1.58 | 4.51 | 1.58 | 4.39 | 1.59 |
| 16+07+05+05 | 15 | 10.83 | 2.02 | 10.71 | 2.03 | 10.59 | 2.05 | 10.53 | 2.06 | 10.47 | 2.06 | 10.35 | 2.07 |
| | 10 | 9.84 | 1.94 | 9.71 | 1.96 | 9.59 | 1.97 | 9.53 | 1.98 | 9.47 | 1.98 | 9.35 | 1.99 |
| | 6 | 9.04 | 1.88 | 8.92 | 1.89 | 8.80 | 1.91 | 8.74 | 1.92 | 8.68 | 1.92 | 8.55 | 1.93 |
| | 0 | 7.85 | 1.79 | 7.73 | 1.80 | 7.61 | 1.82 | 7.55 | 1.82 | 7.49 | 1.82 | 7.37 | 1.83 |
| | -5 | 6.86 | 1.71 | 6.74 | 1.72 | 6.62 | 1.74 | 6.56 | 1.74 | 6.50 | 1.74 | 6.37 | 1.75 |
| | -10 | 5.87 | 1.63 | 5.74 | 1.64 | 5.62 | 1.66 | 5.56 | 1.66 | 5.50 | 1.66 | 5.38 | 1.67 |
| | -15 | 4.87 | 1.55 | 4.75 | 1.56 | 4.63 | 1.58 | 4.57 | 1.58 | 4.51 | 1.58 | 4.39 | 1.59 |
| 18+07+05+05 | 15 | 10.95 | 2.02 | 10.83 | 2.03 | 10.71 | 2.05 | 10.65 | 2.06 | 10.59 | 2.06 | 10.46 | 2.07 |
| | 10 | 9.95 | 1.94 | 9.83 | 1.96 | 9.70 | 1.97 | 9.64 | 1.98 | 9.58 | 1.98 | 9.46 | 1.99 |
| | 6 | 9.15 | 1.88 | 9.02 | 1.89 | 8.90 | 1.91 | 8.84 | 1.92 | 8.78 | 1.92 | 8.65 | 1.93 |
| | 0 | 7.94 | 1.79 | 7.82 | 1.80 | 7.70 | 1.82 | 7.64 | 1.82 | 7.57 | 1.82 | 7.45 | 1.83 |
| | -5 | 6.94 | 1.71 | 6.82 | 1.72 | 6.69 | 1.74 | 6.63 | 1.74 | 6.57 | 1.74 | 6.45 | 1.75 |
| | -10 | 5.93 | 1.63 | 5.81 | 1.64 | 5.69 | 1.66 | 5.62 | 1.66 | 5.56 | 1.66 | 5.44 | 1.67 |
| | -15 | 4.93 | 1.55 | 4.80 | 1.56 | 4.68 | 1.58 | 4.62 | 1.58 | 4.56 | 1.58 | 4.44 | 1.59 |
| 10+10+05+05 | 15 | 10.83 | 2.02 | 10.71 | 2.03 | 10.59 | 2.05 | 10.53 | 2.06 | 10.47 | 2.06 | 10.35 | 2.07 |
| | 10 | 9.84 | 1.94 | 9.71 | 1.96 | 9.59 | 1.97 | 9.53 | 1.98 | 9.47 | 1.98 | 9.35 | 1.99 |
| | 6 | 9.04 | 1.88 | 8.92 | 1.89 | 8.80 | 1.91 | 8.74 | 1.92 | 8.68 | 1.92 | 8.55 | 1.93 |
| | 0 | 7.85 | 1.79 | 7.73 | 1.80 | 7.61 | 1.82 | 7.55 | 1.82 | 7.49 | 1.82 | 7.37 | 1.83 |
| | -5 | 6.86 | 1.71 | 6.74 | 1.72 | 6.62 | 1.74 | 6.56 | 1.74 | 6.50 | 1.74 | 6.37 | 1.75 |
| | -10 | 5.87 | 1.63 | 5.74 | 1.64 | 5.62 | 1.66 | 5.56 | 1.66 | 5.50 | 1.66 | 5.38 | 1.67 |
| | -15 | 4.87 | 1.55 | 4.75 | 1.56 | 4.63 | 1.58 | 4.57 | 1.58 | 4.51 | 1.58 | 4.39 | 1.59 |
| 13+10+05+05 | 15 | 10.83 | 2.02 | 10.71 | 2.03 | 10.59 | 2.05 | 10.53 | 2.06 | 10.47 | 2.06 | 10.35 | 2.07 |
| | 10 | 9.84 | 1.94 | 9.71 | 1.96 | 9.59 | 1.97 | 9.53 | 1.98 | 9.47 | 1.98 | 9.35 | 1.99 |
| | 6 | 9.04 | 1.88 | 8.92 | 1.89 | 8.80 | 1.91 | 8.74 | 1.92 | 8.68 | 1.92 | 8.55 | 1.93 |
| | 0 | 7.85 | 1.79 | 7.73 | 1.80 | 7.61 | 1.82 | 7.55 | 1.82 | 7.49 | 1.82 | 7.37 | 1.83 |
| | -5 | 6.86 | 1.71 | 6.74 | 1.72 | 6.62 | 1.74 | 6.56 | 1.74 | 6.50 | 1.74 | 6.37 | 1.75 |
| | -10 | 5.87 | 1.63 | 5.74 | 1.64 | 5.62 | 1.66 | 5.56 | 1.66 | 5.50 | 1.66 | 5.38 | 1.67 |
| | -15 | 4.87 | 1.55 | 4.75 | 1.56 | 4.63 | 1.58 | 4.57 | 1.58 | 4.51 | 1.58 | 4.39 | 1.59 |
| 16+10+05+05 | 15 | 10.95 | 2.02 | 10.83 | 2.03 | 10.71 | 2.05 | 10.65 | 2.06 | 10.59 | 2.06 | 10.46 | 2.07 |
| | 10 | 9.95 | 1.94 | 9.83 | 1.96 | 9.70 | 1.97 | 9.64 | 1.98 | 9.58 | 1.98 | 9.46 | 1.99 |
| | 6 | 9.15 | 1.88 | 9.02 | 1.89 | 8.90 | 1.91 | 8.84 | 1.92 | 8.78 | 1.92 | 8.65 | 1.93 |
| | 0 | 7.94 | 1.79 | 7.82 | 1.80 | 7.70 | 1.82 | 7.64 | 1.82 | 7.57 | 1.82 | 7.45 | 1.83 |
| | -5 | 6.94 | 1.71 | 6.82 | 1.72 | 6.69 | 1.74 | 6.63 | 1.74 | 6.57 | 1.74 | 6.45 | 1.75 |
| | -10 | 5.93 | 1.63 | 5.81 | 1.64 | 5.69 | 1.66 | 5.62 | 1.66 | 5.56 | 1.66 | 5.44 | 1.67 |
| | -15 | 4.93 | 1.55 | 4.80 | 1.56 | 4.68 | 1.58 | 4.62 | 1.58 | 4.56 | 1.58 | 4.44 | 1.59 |
| 18+10+05+05 | 15 | 10.95 | 2.03 | 10.83 | 2.04 | 10.71 | 2.06 | 10.65 | 2.07 | 10.59 | 2.07 | 10.46 | 2.08 |
| | 10 | 9.95 | 1.95 | 9.83 | 1.97 | 9.70 | 1.99 | 9.64 | 1.99 | 9.58 | 1.99 | 9.46 | 2.00 |
| | 6 | 9.15 | 1.89 | 9.02 | 1.90 | 8.90 | 1.92 | 8.84 | 1.93 | 8.78 | 1.93 | 8.65 | 1.94 |
| | 0 | 7.94 | 1.80 | 7.82 | 1.81 | 7.70 | 1.83 | 7.64 | 1.83 | 7.57 | 1.83 | 7.45 | 1.84 |
| | -5 | 6.94 | 1.72 | 6.82 | 1.73 | 6.69 | 1.75 | 6.63 | 1.75 | 6.57 | 1.75 | 6.45 | 1.76 |
| | -10 | 5.93 | 1.64 | 5.81 | 1.65 | 5.69 | 1.67 | 5.62 | 1.67 | 5.56 | 1.67 | 5.44 | 1.68 |
| | -15 | 4.93 | 1.56 | 4.80 | 1.57 | 4.68 | 1.59 | 4.62 | 1.59 | 4.56 | 1.59 | 4.44 | 1.60 |
| 13+13+05+05 | 15 | 10.95 | 2.03 | 10.83 | 2.04 | 10.71 | 2.06 | 10.65 | 2.07 | 10.59 | 2.07 | 10.46 | 2.08 |
| | 10 | 9.95 | 1.95 | 9.83 | 1.97 | 9.70 | 1.99 | 9.64 | 1.99 | 9.58 | 1.99 | 9.46 | 2.00 |
| | 6 | 9.15 | 1.89 | 9.02 | 1.90 | 8.90 | 1.92 | 8.84 | 1.93 | 8.78 | 1.93 | 8.65 | 1.94 |
| | 0 | 7.94 | 1.80 | 7.82 | 1.81 | 7.70 | 1.83 | 7.64 | 1.83 | 7.57 | 1.83 | 7.45 | 1.84 |
| | -5 | 6.94 | 1.72 | 6.82 | 1.73 | 6.69 | 1.75 | 6.63 | 1.75 | 6.57 | 1.75 | 6.45 | 1.76 |
| | -10 | 5.93 | 1.64 | 5.81 | 1.65 | 5.69 | 1.67 | 5.62 | 1.67 | 5.56 | 1.67 | 5.44 | 1.68 |
| | -15 | 4.93 | 1.56 | 4.80 | 1.57 | 4.68 | 1.59 | 4.62 | 1.59 | 4.56 | 1.59 | 4.44 | 1.60 |

Heating

4 - rooms multisplit : 4 - unit operation

Indoor units : 16 type + 13 type + 05 type + 05 type 18 type + 18 type + 05 type + 05 type
 18 type + 13 type + 05 type + 05 type 07 type + 07 type + 07 type + 05 type
 16 type + 16 type + 05 type + 05 type 10 type + 07 type + 07 type + 05 type
 18 type + 16 type + 05 type + 05 type 13 type + 07 type + 07 type + 05 type

Outdoor unit : RAS-4M27U2AVG-E

| Combination (Capacity) | Outdoor air temp. [°C WB] | Indoor air temp. [°C DB] | | | | | | | | | | | |
|---------------------------|---------------------------------|--------------------------|------------|------------|------------|------------|------------|------------|------------|------------|------------|------------|------------|
| | | 16 | | 18 | | 20 | | 21 | | 22 | | 24 | |
| | | TC [kW] | PI [kW] | TC [kW] | PI [kW] | TC [kW] | PI [kW] | TC [kW] | PI [kW] | TC [kW] | PI [kW] | TC [kW] | PI [kW] |
| 16+13+05+05 | 15 | 10.95 | 2.03 | 10.83 | 2.04 | 10.71 | 2.06 | 10.65 | 2.07 | 10.59 | 2.07 | 10.46 | 2.08 |
| | 10 | 9.95 | 1.95 | 9.83 | 1.97 | 9.70 | 1.99 | 9.64 | 1.99 | 9.58 | 1.99 | 9.46 | 2.00 |
| | 6 | 9.15 | 1.89 | 9.02 | 1.90 | 8.90 | 1.92 | 8.84 | 1.93 | 8.78 | 1.93 | 8.65 | 1.94 |
| | 0 | 7.94 | 1.80 | 7.82 | 1.81 | 7.70 | 1.83 | 7.64 | 1.83 | 7.57 | 1.83 | 7.45 | 1.84 |
| | -5 | 6.94 | 1.72 | 6.82 | 1.73 | 6.69 | 1.75 | 6.63 | 1.75 | 6.57 | 1.75 | 6.45 | 1.76 |
| | -10 | 5.93 | 1.64 | 5.81 | 1.65 | 5.69 | 1.67 | 5.62 | 1.67 | 5.56 | 1.67 | 5.44 | 1.68 |
| | -15 | 4.93 | 1.56 | 4.80 | 1.57 | 4.68 | 1.59 | 4.62 | 1.59 | 4.56 | 1.59 | 4.44 | 1.60 |
| 18+13+05+05 | 15 | 10.95 | 2.03 | 10.83 | 2.04 | 10.71 | 2.06 | 10.65 | 2.07 | 10.59 | 2.07 | 10.46 | 2.08 |
| | 10 | 9.95 | 1.95 | 9.83 | 1.97 | 9.70 | 1.99 | 9.64 | 1.99 | 9.58 | 1.99 | 9.46 | 2.00 |
| | 6 | 9.15 | 1.89 | 9.02 | 1.90 | 8.90 | 1.92 | 8.84 | 1.93 | 8.78 | 1.93 | 8.65 | 1.94 |
| | 0 | 7.94 | 1.80 | 7.82 | 1.81 | 7.70 | 1.83 | 7.64 | 1.83 | 7.57 | 1.83 | 7.45 | 1.84 |
| | -5 | 6.94 | 1.72 | 6.82 | 1.73 | 6.69 | 1.75 | 6.63 | 1.75 | 6.57 | 1.75 | 6.45 | 1.76 |
| | -10 | 5.93 | 1.64 | 5.81 | 1.65 | 5.69 | 1.67 | 5.62 | 1.67 | 5.56 | 1.67 | 5.44 | 1.68 |
| | -15 | 4.93 | 1.56 | 4.80 | 1.57 | 4.68 | 1.59 | 4.62 | 1.59 | 4.56 | 1.59 | 4.44 | 1.60 |
| 16+16+05+05 | 15 | 10.95 | 2.03 | 10.83 | 2.04 | 10.71 | 2.06 | 10.65 | 2.07 | 10.59 | 2.07 | 10.46 | 2.08 |
| | 10 | 9.95 | 1.95 | 9.83 | 1.97 | 9.70 | 1.99 | 9.64 | 1.99 | 9.58 | 1.99 | 9.46 | 2.00 |
| | 6 | 9.15 | 1.89 | 9.02 | 1.90 | 8.90 | 1.92 | 8.84 | 1.93 | 8.78 | 1.93 | 8.65 | 1.94 |
| | 0 | 7.94 | 1.80 | 7.82 | 1.81 | 7.70 | 1.83 | 7.64 | 1.83 | 7.57 | 1.83 | 7.45 | 1.84 |
| | -5 | 6.94 | 1.72 | 6.82 | 1.73 | 6.69 | 1.75 | 6.63 | 1.75 | 6.57 | 1.75 | 6.45 | 1.76 |
| | -10 | 5.93 | 1.64 | 5.81 | 1.65 | 5.69 | 1.67 | 5.62 | 1.67 | 5.56 | 1.67 | 5.44 | 1.68 |
| | -15 | 4.93 | 1.56 | 4.80 | 1.57 | 4.68 | 1.59 | 4.62 | 1.59 | 4.56 | 1.59 | 4.44 | 1.60 |
| 18+16+05+05 | 15 | 10.95 | 2.03 | 10.83 | 2.04 | 10.71 | 2.06 | 10.65 | 2.07 | 10.59 | 2.07 | 10.46 | 2.08 |
| | 10 | 9.95 | 1.95 | 9.83 | 1.97 | 9.70 | 1.99 | 9.64 | 1.99 | 9.58 | 1.99 | 9.46 | 2.00 |
| | 6 | 9.15 | 1.89 | 9.02 | 1.90 | 8.90 | 1.92 | 8.84 | 1.93 | 8.78 | 1.93 | 8.65 | 1.94 |
| | 0 | 7.94 | 1.80 | 7.82 | 1.81 | 7.70 | 1.83 | 7.64 | 1.83 | 7.57 | 1.83 | 7.45 | 1.84 |
| | -5 | 6.94 | 1.72 | 6.82 | 1.73 | 6.69 | 1.75 | 6.63 | 1.75 | 6.57 | 1.75 | 6.45 | 1.76 |
| | -10 | 5.93 | 1.64 | 5.81 | 1.65 | 5.69 | 1.67 | 5.62 | 1.67 | 5.56 | 1.67 | 5.44 | 1.68 |
| | -15 | 4.93 | 1.56 | 4.80 | 1.57 | 4.68 | 1.59 | 4.62 | 1.59 | 4.56 | 1.59 | 4.44 | 1.60 |
| 18+18+05+05 | 15 | 10.95 | 2.03 | 10.83 | 2.04 | 10.71 | 2.06 | 10.65 | 2.07 | 10.59 | 2.07 | 10.46 | 2.08 |
| | 10 | 9.95 | 1.95 | 9.83 | 1.97 | 9.70 | 1.99 | 9.64 | 1.99 | 9.58 | 1.99 | 9.46 | 2.00 |
| | 6 | 9.15 | 1.89 | 9.02 | 1.90 | 8.90 | 1.92 | 8.84 | 1.93 | 8.78 | 1.93 | 8.65 | 1.94 |
| | 0 | 7.94 | 1.80 | 7.82 | 1.81 | 7.70 | 1.83 | 7.64 | 1.83 | 7.57 | 1.83 | 7.45 | 1.84 |
| | -5 | 6.94 | 1.72 | 6.82 | 1.73 | 6.69 | 1.75 | 6.63 | 1.75 | 6.57 | 1.75 | 6.45 | 1.76 |
| | -10 | 5.93 | 1.64 | 5.81 | 1.65 | 5.69 | 1.67 | 5.62 | 1.67 | 5.56 | 1.67 | 5.44 | 1.68 |
| | -15 | 4.93 | 1.56 | 4.80 | 1.57 | 4.68 | 1.59 | 4.62 | 1.59 | 4.56 | 1.59 | 4.44 | 1.60 |
| 07+07+07+05 | 15 | 10.46 | 1.96 | 10.34 | 1.97 | 10.23 | 1.99 | 10.17 | 1.99 | 10.11 | 1.99 | 9.99 | 2.01 |
| | 10 | 9.50 | 1.88 | 9.38 | 1.89 | 9.27 | 1.91 | 9.21 | 1.92 | 9.15 | 1.92 | 9.03 | 1.93 |
| | 6 | 8.73 | 1.82 | 8.62 | 1.83 | 8.50 | 1.85 | 8.44 | 1.86 | 8.38 | 1.86 | 8.26 | 1.87 |
| | 0 | 7.58 | 1.73 | 7.47 | 1.74 | 7.35 | 1.76 | 7.29 | 1.76 | 7.23 | 1.76 | 7.12 | 1.78 |
| | -5 | 6.63 | 1.66 | 6.51 | 1.67 | 6.39 | 1.68 | 6.33 | 1.69 | 6.27 | 1.69 | 6.16 | 1.70 |
| | -10 | 5.67 | 1.58 | 5.55 | 1.59 | 5.43 | 1.61 | 5.37 | 1.61 | 5.31 | 1.61 | 5.19 | 1.62 |
| | -15 | 4.71 | 1.51 | 4.59 | 1.51 | 4.47 | 1.53 | 4.41 | 1.53 | 4.35 | 1.53 | 4.24 | 1.54 |
| 10+07+07+05 | 15 | 10.83 | 2.00 | 10.71 | 2.01 | 10.59 | 2.03 | 10.53 | 2.04 | 10.47 | 2.04 | 10.35 | 2.05 |
| | 10 | 9.84 | 1.92 | 9.71 | 1.93 | 9.59 | 1.95 | 9.53 | 1.96 | 9.47 | 1.96 | 9.35 | 1.97 |
| | 6 | 9.04 | 1.86 | 8.92 | 1.87 | 8.80 | 1.89 | 8.74 | 1.90 | 8.68 | 1.90 | 8.55 | 1.91 |
| | 0 | 7.85 | 1.77 | 7.73 | 1.78 | 7.61 | 1.80 | 7.55 | 1.80 | 7.49 | 1.80 | 7.37 | 1.81 |
| | -5 | 6.86 | 1.69 | 6.74 | 1.70 | 6.62 | 1.72 | 6.56 | 1.72 | 6.50 | 1.72 | 6.37 | 1.74 |
| | -10 | 5.87 | 1.61 | 5.74 | 1.63 | 5.62 | 1.64 | 5.56 | 1.65 | 5.50 | 1.65 | 5.38 | 1.66 |
| | -15 | 4.87 | 1.54 | 4.75 | 1.55 | 4.63 | 1.56 | 4.57 | 1.57 | 4.51 | 1.57 | 4.39 | 1.58 |
| 13+07+07+05 | 15 | 10.83 | 2.02 | 10.71 | 2.03 | 10.59 | 2.05 | 10.53 | 2.06 | 10.47 | 2.06 | 10.35 | 2.07 |
| | 10 | 9.84 | 1.94 | 9.71 | 1.96 | 9.59 | 1.97 | 9.53 | 1.98 | 9.47 | 1.98 | 9.35 | 1.99 |
| | 6 | 9.04 | 1.88 | 8.92 | 1.89 | 8.80 | 1.91 | 8.74 | 1.92 | 8.68 | 1.92 | 8.55 | 1.93 |
| | 0 | 7.85 | 1.79 | 7.73 | 1.80 | 7.61 | 1.82 | 7.55 | 1.82 | 7.49 | 1.82 | 7.37 | 1.83 |
| | -5 | 6.86 | 1.71 | 6.74 | 1.72 | 6.62 | 1.74 | 6.56 | 1.74 | 6.50 | 1.74 | 6.37 | 1.75 |
| | -10 | 5.87 | 1.63 | 5.74 | 1.64 | 5.62 | 1.66 | 5.56 | 1.66 | 5.50 | 1.66 | 5.38 | 1.67 |
| | -15 | 4.87 | 1.55 | 4.75 | 1.56 | 4.63 | 1.58 | 4.57 | 1.58 | 4.51 | 1.58 | 4.39 | 1.59 |

Heating

4 - rooms multisplit : 4 - unit operation

Indoor units : 16 type + 07 type + 07 type + 05 type 16 type + 10 type + 07 type + 05 type
 18 type + 07 type + 07 type + 05 type 18 type + 10 type + 07 type + 05 type
 10 type + 10 type + 07 type + 05 type 13 type + 13 type + 07 type + 05 type
 13 type + 10 type + 07 type + 05 type 16 type + 13 type + 07 type + 05 type

Outdoor unit : RAS-4M27U2AVG-E

| Combination (Capacity) | Outdoor air temp. [°C WB] | Indoor air temp. [°C DB] | | | | | | | | | | | |
|---------------------------|---------------------------------|--------------------------|------------|------------|------------|------------|------------|------------|------------|------------|------------|------------|------------|
| | | 16 | | 18 | | 20 | | 21 | | 22 | | 24 | |
| | | TC [kW] | PI [kW] | TC [kW] | PI [kW] | TC [kW] | PI [kW] | TC [kW] | PI [kW] | TC [kW] | PI [kW] | TC [kW] | PI [kW] |
| 16+07+07+05 | 15 | 10.95 | 2.02 | 10.83 | 2.03 | 10.71 | 2.05 | 10.65 | 2.06 | 10.59 | 2.06 | 10.46 | 2.07 |
| | 10 | 9.95 | 1.94 | 9.83 | 1.96 | 9.70 | 1.97 | 9.64 | 1.98 | 9.58 | 1.98 | 9.46 | 1.99 |
| | 6 | 9.15 | 1.88 | 9.02 | 1.89 | 8.90 | 1.91 | 8.84 | 1.92 | 8.78 | 1.92 | 8.65 | 1.93 |
| | 0 | 7.94 | 1.79 | 7.82 | 1.80 | 7.70 | 1.82 | 7.64 | 1.82 | 7.57 | 1.82 | 7.45 | 1.83 |
| | -5 | 6.94 | 1.71 | 6.82 | 1.72 | 6.69 | 1.74 | 6.63 | 1.74 | 6.57 | 1.74 | 6.45 | 1.75 |
| | -10 | 5.93 | 1.63 | 5.81 | 1.64 | 5.69 | 1.66 | 5.62 | 1.66 | 5.56 | 1.66 | 5.44 | 1.67 |
| | -15 | 4.93 | 1.55 | 4.80 | 1.56 | 4.68 | 1.58 | 4.62 | 1.58 | 4.56 | 1.58 | 4.44 | 1.59 |
| 18+07+07+05 | 15 | 10.95 | 2.02 | 10.83 | 2.03 | 10.71 | 2.05 | 10.65 | 2.06 | 10.59 | 2.06 | 10.46 | 2.07 |
| | 10 | 9.95 | 1.94 | 9.83 | 1.96 | 9.70 | 1.97 | 9.64 | 1.98 | 9.58 | 1.98 | 9.46 | 1.99 |
| | 6 | 9.15 | 1.88 | 9.02 | 1.89 | 8.90 | 1.91 | 8.84 | 1.92 | 8.78 | 1.92 | 8.65 | 1.93 |
| | 0 | 7.94 | 1.79 | 7.82 | 1.80 | 7.70 | 1.82 | 7.64 | 1.82 | 7.57 | 1.82 | 7.45 | 1.83 |
| | -5 | 6.94 | 1.71 | 6.82 | 1.72 | 6.69 | 1.74 | 6.63 | 1.74 | 6.57 | 1.74 | 6.45 | 1.75 |
| | -10 | 5.93 | 1.63 | 5.81 | 1.64 | 5.69 | 1.66 | 5.62 | 1.66 | 5.56 | 1.66 | 5.44 | 1.67 |
| | -15 | 4.93 | 1.55 | 4.80 | 1.56 | 4.68 | 1.58 | 4.62 | 1.58 | 4.56 | 1.58 | 4.44 | 1.59 |
| 10+10+07+05 | 15 | 10.83 | 2.02 | 10.71 | 2.03 | 10.59 | 2.05 | 10.53 | 2.06 | 10.47 | 2.06 | 10.35 | 2.07 |
| | 10 | 9.84 | 1.94 | 9.71 | 1.96 | 9.59 | 1.97 | 9.53 | 1.98 | 9.47 | 1.98 | 9.35 | 1.99 |
| | 6 | 9.04 | 1.88 | 8.92 | 1.89 | 8.80 | 1.91 | 8.74 | 1.92 | 8.68 | 1.92 | 8.55 | 1.93 |
| | 0 | 7.85 | 1.79 | 7.73 | 1.80 | 7.61 | 1.82 | 7.55 | 1.82 | 7.49 | 1.82 | 7.37 | 1.83 |
| | -5 | 6.86 | 1.71 | 6.74 | 1.72 | 6.62 | 1.74 | 6.56 | 1.74 | 6.50 | 1.74 | 6.37 | 1.75 |
| | -10 | 5.87 | 1.63 | 5.74 | 1.64 | 5.62 | 1.66 | 5.56 | 1.66 | 5.50 | 1.66 | 5.38 | 1.67 |
| | -15 | 4.87 | 1.55 | 4.75 | 1.56 | 4.63 | 1.58 | 4.57 | 1.58 | 4.51 | 1.58 | 4.39 | 1.59 |
| 13+10+07+05 | 15 | 10.95 | 2.03 | 10.83 | 2.04 | 10.71 | 2.06 | 10.65 | 2.07 | 10.59 | 2.07 | 10.46 | 2.08 |
| | 10 | 9.95 | 1.95 | 9.83 | 1.97 | 9.70 | 1.99 | 9.64 | 1.99 | 9.58 | 1.99 | 9.46 | 2.00 |
| | 6 | 9.15 | 1.89 | 9.02 | 1.90 | 8.90 | 1.92 | 8.84 | 1.93 | 8.78 | 1.93 | 8.65 | 1.94 |
| | 0 | 7.94 | 1.80 | 7.82 | 1.81 | 7.70 | 1.83 | 7.64 | 1.83 | 7.57 | 1.83 | 7.45 | 1.84 |
| | -5 | 6.94 | 1.72 | 6.82 | 1.73 | 6.69 | 1.75 | 6.63 | 1.75 | 6.57 | 1.75 | 6.45 | 1.76 |
| | -10 | 5.93 | 1.64 | 5.81 | 1.65 | 5.69 | 1.67 | 5.62 | 1.67 | 5.56 | 1.67 | 5.44 | 1.68 |
| | -15 | 4.93 | 1.56 | 4.80 | 1.57 | 4.68 | 1.59 | 4.62 | 1.59 | 4.56 | 1.59 | 4.44 | 1.60 |
| 16+10+07+05 | 15 | 10.95 | 2.03 | 10.83 | 2.04 | 10.71 | 2.06 | 10.65 | 2.07 | 10.59 | 2.07 | 10.46 | 2.08 |
| | 10 | 9.95 | 1.95 | 9.83 | 1.97 | 9.70 | 1.99 | 9.64 | 1.99 | 9.58 | 1.99 | 9.46 | 2.00 |
| | 6 | 9.15 | 1.89 | 9.02 | 1.90 | 8.90 | 1.92 | 8.84 | 1.93 | 8.78 | 1.93 | 8.65 | 1.94 |
| | 0 | 7.94 | 1.80 | 7.82 | 1.81 | 7.70 | 1.83 | 7.64 | 1.83 | 7.57 | 1.83 | 7.45 | 1.84 |
| | -5 | 6.94 | 1.72 | 6.82 | 1.73 | 6.69 | 1.75 | 6.63 | 1.75 | 6.57 | 1.75 | 6.45 | 1.76 |
| | -10 | 5.93 | 1.64 | 5.81 | 1.65 | 5.69 | 1.67 | 5.62 | 1.67 | 5.56 | 1.67 | 5.44 | 1.68 |
| | -15 | 4.93 | 1.56 | 4.80 | 1.57 | 4.68 | 1.59 | 4.62 | 1.59 | 4.56 | 1.59 | 4.44 | 1.60 |
| 18+10+07+05 | 15 | 10.95 | 2.03 | 10.83 | 2.04 | 10.71 | 2.06 | 10.65 | 2.07 | 10.59 | 2.07 | 10.46 | 2.08 |
| | 10 | 9.95 | 1.95 | 9.83 | 1.97 | 9.70 | 1.99 | 9.64 | 1.99 | 9.58 | 1.99 | 9.46 | 2.00 |
| | 6 | 9.15 | 1.89 | 9.02 | 1.90 | 8.90 | 1.92 | 8.84 | 1.93 | 8.78 | 1.93 | 8.65 | 1.94 |
| | 0 | 7.94 | 1.80 | 7.82 | 1.81 | 7.70 | 1.83 | 7.64 | 1.83 | 7.57 | 1.83 | 7.45 | 1.84 |
| | -5 | 6.94 | 1.72 | 6.82 | 1.73 | 6.69 | 1.75 | 6.63 | 1.75 | 6.57 | 1.75 | 6.45 | 1.76 |
| | -10 | 5.93 | 1.64 | 5.81 | 1.65 | 5.69 | 1.67 | 5.62 | 1.67 | 5.56 | 1.67 | 5.44 | 1.68 |
| | -15 | 4.93 | 1.56 | 4.80 | 1.57 | 4.68 | 1.59 | 4.62 | 1.59 | 4.56 | 1.59 | 4.44 | 1.60 |
| 13+13+07+05 | 15 | 10.95 | 2.03 | 10.83 | 2.04 | 10.71 | 2.06 | 10.65 | 2.07 | 10.59 | 2.07 | 10.46 | 2.08 |
| | 10 | 9.95 | 1.95 | 9.83 | 1.97 | 9.70 | 1.99 | 9.64 | 1.99 | 9.58 | 1.99 | 9.46 | 2.00 |
| | 6 | 9.15 | 1.89 | 9.02 | 1.90 | 8.90 | 1.92 | 8.84 | 1.93 | 8.78 | 1.93 | 8.65 | 1.94 |
| | 0 | 7.94 | 1.80 | 7.82 | 1.81 | 7.70 | 1.83 | 7.64 | 1.83 | 7.57 | 1.83 | 7.45 | 1.84 |
| | -5 | 6.94 | 1.72 | 6.82 | 1.73 | 6.69 | 1.75 | 6.63 | 1.75 | 6.57 | 1.75 | 6.45 | 1.76 |
| | -10 | 5.93 | 1.64 | 5.81 | 1.65 | 5.69 | 1.67 | 5.62 | 1.67 | 5.56 | 1.67 | 5.44 | 1.68 |
| | -15 | 4.93 | 1.56 | 4.80 | 1.57 | 4.68 | 1.59 | 4.62 | 1.59 | 4.56 | 1.59 | 4.44 | 1.60 |
| 16+13+07+05 | 15 | 10.95 | 2.04 | 10.83 | 2.05 | 10.71 | 2.08 | 10.65 | 2.08 | 10.59 | 2.08 | 10.46 | 2.09 |
| | 10 | 9.95 | 1.96 | 9.83 | 1.98 | 9.70 | 2.00 | 9.64 | 2.00 | 9.58 | 2.00 | 9.46 | 2.01 |
| | 6 | 9.15 | 1.90 | 9.02 | 1.91 | 8.90 | 1.93 | 8.84 | 1.94 | 8.78 | 1.94 | 8.65 | 1.95 |
| | 0 | 7.94 | 1.81 | 7.82 | 1.82 | 7.70 | 1.84 | 7.64 | 1.84 | 7.57 | 1.84 | 7.45 | 1.85 |
| | -5 | 6.94 | 1.73 | 6.82 | 1.74 | 6.69 | 1.76 | 6.63 | 1.76 | 6.57 | 1.76 | 6.45 | 1.77 |
| | -10 | 5.93 | 1.65 | 5.81 | 1.66 | 5.69 | 1.68 | 5.62 | 1.68 | 5.56 | 1.68 | 5.44 | 1.69 |
| | -15 | 4.93 | 1.57 | 4.80 | 1.58 | 4.68 | 1.60 | 4.62 | 1.60 | 4.56 | 1.60 | 4.44 | 1.61 |

Heating

4 - rooms multisplit : 4 - unit operation

Indoor units : 18 type + 13 type + 07 type + 05 type 10 type + 10 type + 10 type + 05 type
 16 type + 16 type + 07 type + 05 type 13 type + 10 type + 10 type + 05 type
 18 type + 16 type + 07 type + 05 type 16 type + 10 type + 10 type + 05 type
 18 type + 18 type + 07 type + 05 type 18 type + 10 type + 10 type + 05 type

Outdoor unit : RAS-4M27U2AVG-E

| Combination (Capacity) | Outdoor air temp. [°C WB] | Indoor air temp. [°C DB] | | | | | | | | | | | |
|---------------------------|---------------------------------|--------------------------|------------|------------|------------|------------|------------|------------|------------|------------|------------|------------|------------|
| | | 16 | | 18 | | 20 | | 21 | | 22 | | 24 | |
| | | TC [kW] | PI [kW] | TC [kW] | PI [kW] | TC [kW] | PI [kW] | TC [kW] | PI [kW] | TC [kW] | PI [kW] | TC [kW] | PI [kW] |
| 18+13+07+05 | 15 | 10.95 | 2.04 | 10.83 | 2.05 | 10.71 | 2.08 | 10.65 | 2.08 | 10.59 | 2.08 | 10.46 | 2.09 |
| | 10 | 9.95 | 1.96 | 9.83 | 1.98 | 9.70 | 2.00 | 9.64 | 2.00 | 9.58 | 2.00 | 9.46 | 2.01 |
| | 6 | 9.15 | 1.90 | 9.02 | 1.91 | 8.90 | 1.93 | 8.84 | 1.94 | 8.78 | 1.94 | 8.65 | 1.95 |
| | 0 | 7.94 | 1.81 | 7.82 | 1.82 | 7.70 | 1.84 | 7.64 | 1.84 | 7.57 | 1.84 | 7.45 | 1.85 |
| | -5 | 6.94 | 1.73 | 6.82 | 1.74 | 6.69 | 1.76 | 6.63 | 1.76 | 6.57 | 1.76 | 6.45 | 1.77 |
| | -10 | 5.93 | 1.65 | 5.81 | 1.66 | 5.69 | 1.68 | 5.62 | 1.68 | 5.56 | 1.68 | 5.44 | 1.69 |
| | -15 | 4.93 | 1.57 | 4.80 | 1.58 | 4.68 | 1.60 | 4.62 | 1.60 | 4.56 | 1.60 | 4.44 | 1.61 |
| 16+16+07+05 | 15 | 10.95 | 2.04 | 10.83 | 2.05 | 10.71 | 2.08 | 10.65 | 2.08 | 10.59 | 2.08 | 10.46 | 2.09 |
| | 10 | 9.95 | 1.96 | 9.83 | 1.98 | 9.70 | 2.00 | 9.64 | 2.00 | 9.58 | 2.00 | 9.46 | 2.01 |
| | 6 | 9.15 | 1.90 | 9.02 | 1.91 | 8.90 | 1.93 | 8.84 | 1.94 | 8.78 | 1.94 | 8.65 | 1.95 |
| | 0 | 7.94 | 1.81 | 7.82 | 1.82 | 7.70 | 1.84 | 7.64 | 1.84 | 7.57 | 1.84 | 7.45 | 1.85 |
| | -5 | 6.94 | 1.73 | 6.82 | 1.74 | 6.69 | 1.76 | 6.63 | 1.76 | 6.57 | 1.76 | 6.45 | 1.77 |
| | -10 | 5.93 | 1.65 | 5.81 | 1.66 | 5.69 | 1.68 | 5.62 | 1.68 | 5.56 | 1.68 | 5.44 | 1.69 |
| | -15 | 4.93 | 1.57 | 4.80 | 1.58 | 4.68 | 1.60 | 4.62 | 1.60 | 4.56 | 1.60 | 4.44 | 1.61 |
| 18+16+07+05 | 15 | 10.95 | 2.04 | 10.83 | 2.05 | 10.71 | 2.08 | 10.65 | 2.08 | 10.59 | 2.08 | 10.46 | 2.09 |
| | 10 | 9.95 | 1.96 | 9.83 | 1.98 | 9.70 | 2.00 | 9.64 | 2.00 | 9.58 | 2.00 | 9.46 | 2.01 |
| | 6 | 9.15 | 1.90 | 9.02 | 1.91 | 8.90 | 1.93 | 8.84 | 1.94 | 8.78 | 1.94 | 8.65 | 1.95 |
| | 0 | 7.94 | 1.81 | 7.82 | 1.82 | 7.70 | 1.84 | 7.64 | 1.84 | 7.57 | 1.84 | 7.45 | 1.85 |
| | -5 | 6.94 | 1.73 | 6.82 | 1.74 | 6.69 | 1.76 | 6.63 | 1.76 | 6.57 | 1.76 | 6.45 | 1.77 |
| | -10 | 5.93 | 1.65 | 5.81 | 1.66 | 5.69 | 1.68 | 5.62 | 1.68 | 5.56 | 1.68 | 5.44 | 1.69 |
| | -15 | 4.93 | 1.57 | 4.80 | 1.58 | 4.68 | 1.60 | 4.62 | 1.60 | 4.56 | 1.60 | 4.44 | 1.61 |
| 18+18+07+05 | 15 | 10.95 | 2.04 | 10.83 | 2.05 | 10.71 | 2.08 | 10.65 | 2.08 | 10.59 | 2.08 | 10.46 | 2.09 |
| | 10 | 9.95 | 1.96 | 9.83 | 1.98 | 9.70 | 2.00 | 9.64 | 2.00 | 9.58 | 2.00 | 9.46 | 2.01 |
| | 6 | 9.15 | 1.90 | 9.02 | 1.91 | 8.90 | 1.93 | 8.84 | 1.94 | 8.78 | 1.94 | 8.65 | 1.95 |
| | 0 | 7.94 | 1.81 | 7.82 | 1.82 | 7.70 | 1.84 | 7.64 | 1.84 | 7.57 | 1.84 | 7.45 | 1.85 |
| | -5 | 6.94 | 1.73 | 6.82 | 1.74 | 6.69 | 1.76 | 6.63 | 1.76 | 6.57 | 1.76 | 6.45 | 1.77 |
| | -10 | 5.93 | 1.65 | 5.81 | 1.66 | 5.69 | 1.68 | 5.62 | 1.68 | 5.56 | 1.68 | 5.44 | 1.69 |
| | -15 | 4.93 | 1.57 | 4.80 | 1.58 | 4.68 | 1.60 | 4.62 | 1.60 | 4.56 | 1.60 | 4.44 | 1.61 |
| 10+10+10+05 | 15 | 10.95 | 2.03 | 10.83 | 2.04 | 10.71 | 2.06 | 10.65 | 2.07 | 10.59 | 2.07 | 10.46 | 2.08 |
| | 10 | 9.95 | 1.95 | 9.83 | 1.97 | 9.70 | 1.99 | 9.64 | 1.99 | 9.58 | 1.99 | 9.46 | 2.00 |
| | 6 | 9.15 | 1.89 | 9.02 | 1.90 | 8.90 | 1.92 | 8.84 | 1.93 | 8.78 | 1.93 | 8.65 | 1.94 |
| | 0 | 7.94 | 1.80 | 7.82 | 1.81 | 7.70 | 1.83 | 7.64 | 1.83 | 7.57 | 1.83 | 7.45 | 1.84 |
| | -5 | 6.94 | 1.72 | 6.82 | 1.73 | 6.69 | 1.75 | 6.63 | 1.75 | 6.57 | 1.75 | 6.45 | 1.76 |
| | -10 | 5.93 | 1.64 | 5.81 | 1.65 | 5.69 | 1.67 | 5.62 | 1.67 | 5.56 | 1.67 | 5.44 | 1.68 |
| | -15 | 4.93 | 1.56 | 4.80 | 1.57 | 4.68 | 1.59 | 4.62 | 1.59 | 4.56 | 1.59 | 4.44 | 1.60 |
| 13+10+10+05 | 15 | 10.95 | 2.03 | 10.83 | 2.04 | 10.71 | 2.06 | 10.65 | 2.07 | 10.59 | 2.07 | 10.46 | 2.08 |
| | 10 | 9.95 | 1.95 | 9.83 | 1.97 | 9.70 | 1.99 | 9.64 | 1.99 | 9.58 | 1.99 | 9.46 | 2.00 |
| | 6 | 9.15 | 1.89 | 9.02 | 1.90 | 8.90 | 1.92 | 8.84 | 1.93 | 8.78 | 1.93 | 8.65 | 1.94 |
| | 0 | 7.94 | 1.80 | 7.82 | 1.81 | 7.70 | 1.83 | 7.64 | 1.83 | 7.57 | 1.83 | 7.45 | 1.84 |
| | -5 | 6.94 | 1.72 | 6.82 | 1.73 | 6.69 | 1.75 | 6.63 | 1.75 | 6.57 | 1.75 | 6.45 | 1.76 |
| | -10 | 5.93 | 1.64 | 5.81 | 1.65 | 5.69 | 1.67 | 5.62 | 1.67 | 5.56 | 1.67 | 5.44 | 1.68 |
| | -15 | 4.93 | 1.56 | 4.80 | 1.57 | 4.68 | 1.59 | 4.62 | 1.59 | 4.56 | 1.59 | 4.44 | 1.60 |
| 16+10+10+05 | 15 | 10.95 | 2.03 | 10.83 | 2.04 | 10.71 | 2.06 | 10.65 | 2.07 | 10.59 | 2.07 | 10.46 | 2.08 |
| | 10 | 9.95 | 1.95 | 9.83 | 1.97 | 9.70 | 1.99 | 9.64 | 1.99 | 9.58 | 1.99 | 9.46 | 2.00 |
| | 6 | 9.15 | 1.89 | 9.02 | 1.90 | 8.90 | 1.92 | 8.84 | 1.93 | 8.78 | 1.93 | 8.65 | 1.94 |
| | 0 | 7.94 | 1.80 | 7.82 | 1.81 | 7.70 | 1.83 | 7.64 | 1.83 | 7.57 | 1.83 | 7.45 | 1.84 |
| | -5 | 6.94 | 1.72 | 6.82 | 1.73 | 6.69 | 1.75 | 6.63 | 1.75 | 6.57 | 1.75 | 6.45 | 1.76 |
| | -10 | 5.93 | 1.64 | 5.81 | 1.65 | 5.69 | 1.67 | 5.62 | 1.67 | 5.56 | 1.67 | 5.44 | 1.68 |
| | -15 | 4.93 | 1.56 | 4.80 | 1.57 | 4.68 | 1.59 | 4.62 | 1.59 | 4.56 | 1.59 | 4.44 | 1.60 |
| 18+10+10+05 | 15 | 10.95 | 2.03 | 10.83 | 2.04 | 10.71 | 2.06 | 10.65 | 2.07 | 10.59 | 2.07 | 10.46 | 2.08 |
| | 10 | 9.95 | 1.95 | 9.83 | 1.97 | 9.70 | 1.99 | 9.64 | 1.99 | 9.58 | 1.99 | 9.46 | 2.00 |
| | 6 | 9.15 | 1.89 | 9.02 | 1.90 | 8.90 | 1.92 | 8.84 | 1.93 | 8.78 | 1.93 | 8.65 | 1.94 |
| | 0 | 7.94 | 1.80 | 7.82 | 1.81 | 7.70 | 1.83 | 7.64 | 1.83 | 7.57 | 1.83 | 7.45 | 1.84 |
| | -5 | 6.94 | 1.72 | 6.82 | 1.73 | 6.69 | 1.75 | 6.63 | 1.75 | 6.57 | 1.75 | 6.45 | 1.76 |
| | -10 | 5.93 | 1.64 | 5.81 | 1.65 | 5.69 | 1.67 | 5.62 | 1.67 | 5.56 | 1.67 | 5.44 | 1.68 |
| | -15 | 4.93 | 1.56 | 4.80 | 1.57 | 4.68 | 1.59 | 4.62 | 1.59 | 4.56 | 1.59 | 4.44 | 1.60 |

Heating

4 - rooms multisplit : 4 - unit operation

Indoor units : 13 type + 13 type + 10 type + 05 type 18 type + 16 type + 10 type + 05 type
 16 type + 13 type + 10 type + 05 type 18 type + 18 type + 10 type + 05 type
 18 type + 13 type + 10 type + 05 type 13 type + 13 type + 13 type + 05 type
 16 type + 16 type + 10 type + 05 type 16 type + 13 type + 13 type + 05 type

Outdoor unit : RAS-4M27U2AVG-E

| Combination (Capacity) | Outdoor air temp. [°C WB] | Indoor air temp. [°C DB] | | | | | | | | | | | |
|---------------------------|---------------------------------|--------------------------|------------|------------|------------|------------|------------|------------|------------|------------|------------|------------|------------|
| | | 16 | | 18 | | 20 | | 21 | | 22 | | 24 | |
| | | TC [kW] | PI [kW] | TC [kW] | PI [kW] | TC [kW] | PI [kW] | TC [kW] | PI [kW] | TC [kW] | PI [kW] | TC [kW] | PI [kW] |
| 13+13+10+05 | 15 | 10.95 | 2.03 | 10.83 | 2.04 | 10.71 | 2.06 | 10.65 | 2.07 | 10.59 | 2.07 | 10.46 | 2.08 |
| | 10 | 9.95 | 1.95 | 9.83 | 1.97 | 9.70 | 1.99 | 9.64 | 1.99 | 9.58 | 1.99 | 9.46 | 2.00 |
| | 6 | 9.15 | 1.89 | 9.02 | 1.90 | 8.90 | 1.92 | 8.84 | 1.93 | 8.78 | 1.93 | 8.65 | 1.94 |
| | 0 | 7.94 | 1.80 | 7.82 | 1.81 | 7.70 | 1.83 | 7.64 | 1.83 | 7.57 | 1.83 | 7.45 | 1.84 |
| | -5 | 6.94 | 1.72 | 6.82 | 1.73 | 6.69 | 1.75 | 6.63 | 1.75 | 6.57 | 1.75 | 6.45 | 1.76 |
| | -10 | 5.93 | 1.64 | 5.81 | 1.65 | 5.69 | 1.67 | 5.62 | 1.67 | 5.56 | 1.67 | 5.44 | 1.68 |
| | -15 | 4.93 | 1.56 | 4.80 | 1.57 | 4.68 | 1.59 | 4.62 | 1.59 | 4.56 | 1.59 | 4.44 | 1.60 |
| 16+13+10+05 | 15 | 10.95 | 2.03 | 10.83 | 2.04 | 10.71 | 2.06 | 10.65 | 2.07 | 10.59 | 2.07 | 10.46 | 2.08 |
| | 10 | 9.95 | 1.95 | 9.83 | 1.97 | 9.70 | 1.99 | 9.64 | 1.99 | 9.58 | 1.99 | 9.46 | 2.00 |
| | 6 | 9.15 | 1.89 | 9.02 | 1.90 | 8.90 | 1.92 | 8.84 | 1.93 | 8.78 | 1.93 | 8.65 | 1.94 |
| | 0 | 7.94 | 1.80 | 7.82 | 1.81 | 7.70 | 1.83 | 7.64 | 1.83 | 7.57 | 1.83 | 7.45 | 1.84 |
| | -5 | 6.94 | 1.72 | 6.82 | 1.73 | 6.69 | 1.75 | 6.63 | 1.75 | 6.57 | 1.75 | 6.45 | 1.76 |
| | -10 | 5.93 | 1.64 | 5.81 | 1.65 | 5.69 | 1.67 | 5.62 | 1.67 | 5.56 | 1.67 | 5.44 | 1.68 |
| | -15 | 4.93 | 1.56 | 4.80 | 1.57 | 4.68 | 1.59 | 4.62 | 1.59 | 4.56 | 1.59 | 4.44 | 1.60 |
| 18+13+10+05 | 15 | 10.95 | 2.03 | 10.83 | 2.04 | 10.71 | 2.06 | 10.65 | 2.07 | 10.59 | 2.07 | 10.46 | 2.08 |
| | 10 | 9.95 | 1.95 | 9.83 | 1.97 | 9.70 | 1.99 | 9.64 | 1.99 | 9.58 | 1.99 | 9.46 | 2.00 |
| | 6 | 9.15 | 1.89 | 9.02 | 1.90 | 8.90 | 1.92 | 8.84 | 1.93 | 8.78 | 1.93 | 8.65 | 1.94 |
| | 0 | 7.94 | 1.80 | 7.82 | 1.81 | 7.70 | 1.83 | 7.64 | 1.83 | 7.57 | 1.83 | 7.45 | 1.84 |
| | -5 | 6.94 | 1.72 | 6.82 | 1.73 | 6.69 | 1.75 | 6.63 | 1.75 | 6.57 | 1.75 | 6.45 | 1.76 |
| | -10 | 5.93 | 1.64 | 5.81 | 1.65 | 5.69 | 1.67 | 5.62 | 1.67 | 5.56 | 1.67 | 5.44 | 1.68 |
| | -15 | 4.93 | 1.56 | 4.80 | 1.57 | 4.68 | 1.59 | 4.62 | 1.59 | 4.56 | 1.59 | 4.44 | 1.60 |
| 16+16+10+05 | 15 | 10.95 | 2.03 | 10.83 | 2.04 | 10.71 | 2.06 | 10.65 | 2.07 | 10.59 | 2.07 | 10.46 | 2.08 |
| | 10 | 9.95 | 1.95 | 9.83 | 1.97 | 9.70 | 1.99 | 9.64 | 1.99 | 9.58 | 1.99 | 9.46 | 2.00 |
| | 6 | 9.15 | 1.89 | 9.02 | 1.90 | 8.90 | 1.92 | 8.84 | 1.93 | 8.78 | 1.93 | 8.65 | 1.94 |
| | 0 | 7.94 | 1.80 | 7.82 | 1.81 | 7.70 | 1.83 | 7.64 | 1.83 | 7.57 | 1.83 | 7.45 | 1.84 |
| | -5 | 6.94 | 1.72 | 6.82 | 1.73 | 6.69 | 1.75 | 6.63 | 1.75 | 6.57 | 1.75 | 6.45 | 1.76 |
| | -10 | 5.93 | 1.64 | 5.81 | 1.65 | 5.69 | 1.67 | 5.62 | 1.67 | 5.56 | 1.67 | 5.44 | 1.68 |
| | -15 | 4.93 | 1.56 | 4.80 | 1.57 | 4.68 | 1.59 | 4.62 | 1.59 | 4.56 | 1.59 | 4.44 | 1.60 |
| 18+16+10+05 | 15 | 10.95 | 2.03 | 10.83 | 2.04 | 10.71 | 2.06 | 10.65 | 2.07 | 10.59 | 2.07 | 10.46 | 2.08 |
| | 10 | 9.95 | 1.95 | 9.83 | 1.97 | 9.70 | 1.99 | 9.64 | 1.99 | 9.58 | 1.99 | 9.46 | 2.00 |
| | 6 | 9.15 | 1.89 | 9.02 | 1.90 | 8.90 | 1.92 | 8.84 | 1.93 | 8.78 | 1.93 | 8.65 | 1.94 |
| | 0 | 7.94 | 1.80 | 7.82 | 1.81 | 7.70 | 1.83 | 7.64 | 1.83 | 7.57 | 1.83 | 7.45 | 1.84 |
| | -5 | 6.94 | 1.72 | 6.82 | 1.73 | 6.69 | 1.75 | 6.63 | 1.75 | 6.57 | 1.75 | 6.45 | 1.76 |
| | -10 | 5.93 | 1.64 | 5.81 | 1.65 | 5.69 | 1.67 | 5.62 | 1.67 | 5.56 | 1.67 | 5.44 | 1.68 |
| | -15 | 4.93 | 1.56 | 4.80 | 1.57 | 4.68 | 1.59 | 4.62 | 1.59 | 4.56 | 1.59 | 4.44 | 1.60 |
| 18+18+10+05 | 15 | 10.95 | 2.03 | 10.83 | 2.04 | 10.71 | 2.06 | 10.65 | 2.07 | 10.59 | 2.07 | 10.46 | 2.08 |
| | 10 | 9.95 | 1.95 | 9.83 | 1.97 | 9.70 | 1.99 | 9.64 | 1.99 | 9.58 | 1.99 | 9.46 | 2.00 |
| | 6 | 9.15 | 1.89 | 9.02 | 1.90 | 8.90 | 1.92 | 8.84 | 1.93 | 8.78 | 1.93 | 8.65 | 1.94 |
| | 0 | 7.94 | 1.80 | 7.82 | 1.81 | 7.70 | 1.83 | 7.64 | 1.83 | 7.57 | 1.83 | 7.45 | 1.84 |
| | -5 | 6.94 | 1.72 | 6.82 | 1.73 | 6.69 | 1.75 | 6.63 | 1.75 | 6.57 | 1.75 | 6.45 | 1.76 |
| | -10 | 5.93 | 1.64 | 5.81 | 1.65 | 5.69 | 1.67 | 5.62 | 1.67 | 5.56 | 1.67 | 5.44 | 1.68 |
| | -15 | 4.93 | 1.56 | 4.80 | 1.57 | 4.68 | 1.59 | 4.62 | 1.59 | 4.56 | 1.59 | 4.44 | 1.60 |
| 13+13+13+05 | 15 | 10.95 | 2.03 | 10.83 | 2.04 | 10.71 | 2.06 | 10.65 | 2.07 | 10.59 | 2.07 | 10.46 | 2.08 |
| | 10 | 9.95 | 1.95 | 9.83 | 1.97 | 9.70 | 1.99 | 9.64 | 1.99 | 9.58 | 1.99 | 9.46 | 2.00 |
| | 6 | 9.15 | 1.89 | 9.02 | 1.90 | 8.90 | 1.92 | 8.84 | 1.93 | 8.78 | 1.93 | 8.65 | 1.94 |
| | 0 | 7.94 | 1.80 | 7.82 | 1.81 | 7.70 | 1.83 | 7.64 | 1.83 | 7.57 | 1.83 | 7.45 | 1.84 |
| | -5 | 6.94 | 1.72 | 6.82 | 1.73 | 6.69 | 1.75 | 6.63 | 1.75 | 6.57 | 1.75 | 6.45 | 1.76 |
| | -10 | 5.93 | 1.64 | 5.81 | 1.65 | 5.69 | 1.67 | 5.62 | 1.67 | 5.56 | 1.67 | 5.44 | 1.68 |
| | -15 | 4.93 | 1.56 | 4.80 | 1.57 | 4.68 | 1.59 | 4.62 | 1.59 | 4.56 | 1.59 | 4.44 | 1.60 |
| 16+13+13+05 | 15 | 10.95 | 2.03 | 10.83 | 2.04 | 10.71 | 2.06 | 10.65 | 2.07 | 10.59 | 2.07 | 10.46 | 2.08 |
| | 10 | 9.95 | 1.95 | 9.83 | 1.97 | 9.70 | 1.99 | 9.64 | 1.99 | 9.58 | 1.99 | 9.46 | 2.00 |
| | 6 | 9.15 | 1.89 | 9.02 | 1.90 | 8.90 | 1.92 | 8.84 | 1.93 | 8.78 | 1.93 | 8.65 | 1.94 |
| | 0 | 7.94 | 1.80 | 7.82 | 1.81 | 7.70 | 1.83 | 7.64 | 1.83 | 7.57 | 1.83 | 7.45 | 1.84 |
| | -5 | 6.94 | 1.72 | 6.82 | 1.73 | 6.69 | 1.75 | 6.63 | 1.75 | 6.57 | 1.75 | 6.45 | 1.76 |
| | -10 | 5.93 | 1.64 | 5.81 | 1.65 | 5.69 | 1.67 | 5.62 | 1.67 | 5.56 | 1.67 | 5.44 | 1.68 |
| | -15 | 4.93 | 1.56 | 4.80 | 1.57 | 4.68 | 1.59 | 4.62 | 1.59 | 4.56 | 1.59 | 4.44 | 1.60 |

Heating

4 - rooms multisplit : 4 - unit operation

Indoor units : 18 type + 13 type + 13 type + 05 type 10 type + 07 type + 07 type + 07 type
 16 type + 16 type + 13 type + 05 type 13 type + 07 type + 07 type + 07 type
 18 type + 16 type + 13 type + 05 type 16 type + 07 type + 07 type + 07 type
 07 type + 07 type + 07 type + 07 type 18 type + 07 type + 07 type + 07 type

Outdoor unit : RAS-4M27U2AVG-E

| Combination (Capacity) | Outdoor air temp. [°C WB] | Indoor air temp. [°C DB] | | | | | | | | | | | |
|---------------------------|---------------------------------|--------------------------|------------|------------|------------|------------|------------|------------|------------|------------|------------|------------|------------|
| | | 16 | | 18 | | 20 | | 21 | | 22 | | 24 | |
| | | TC [kW] | PI [kW] | TC [kW] | PI [kW] | TC [kW] | PI [kW] | TC [kW] | PI [kW] | TC [kW] | PI [kW] | TC [kW] | PI [kW] |
| 18+13+13+05 | 15 | 10.95 | 2.03 | 10.83 | 2.04 | 10.71 | 2.06 | 10.65 | 2.07 | 10.59 | 2.07 | 10.46 | 2.08 |
| | 10 | 9.95 | 1.95 | 9.83 | 1.97 | 9.70 | 1.99 | 9.64 | 1.99 | 9.58 | 1.99 | 9.46 | 2.00 |
| | 6 | 9.15 | 1.89 | 9.02 | 1.90 | 8.90 | 1.92 | 8.84 | 1.93 | 8.78 | 1.93 | 8.65 | 1.94 |
| | 0 | 7.94 | 1.80 | 7.82 | 1.81 | 7.70 | 1.83 | 7.64 | 1.83 | 7.57 | 1.83 | 7.45 | 1.84 |
| | -5 | 6.94 | 1.72 | 6.82 | 1.73 | 6.69 | 1.75 | 6.63 | 1.75 | 6.57 | 1.75 | 6.45 | 1.76 |
| | -10 | 5.93 | 1.64 | 5.81 | 1.65 | 5.69 | 1.67 | 5.62 | 1.67 | 5.56 | 1.67 | 5.44 | 1.68 |
| | -15 | 4.93 | 1.56 | 4.80 | 1.57 | 4.68 | 1.59 | 4.62 | 1.59 | 4.56 | 1.59 | 4.44 | 1.60 |
| 16+16+13+05 | 15 | 10.95 | 2.03 | 10.83 | 2.04 | 10.71 | 2.06 | 10.65 | 2.07 | 10.59 | 2.07 | 10.46 | 2.08 |
| | 10 | 9.95 | 1.95 | 9.83 | 1.97 | 9.70 | 1.99 | 9.64 | 1.99 | 9.58 | 1.99 | 9.46 | 2.00 |
| | 6 | 9.15 | 1.89 | 9.02 | 1.90 | 8.90 | 1.92 | 8.84 | 1.93 | 8.78 | 1.93 | 8.65 | 1.94 |
| | 0 | 7.94 | 1.80 | 7.82 | 1.81 | 7.70 | 1.83 | 7.64 | 1.83 | 7.57 | 1.83 | 7.45 | 1.84 |
| | -5 | 6.94 | 1.72 | 6.82 | 1.73 | 6.69 | 1.75 | 6.63 | 1.75 | 6.57 | 1.75 | 6.45 | 1.76 |
| | -10 | 5.93 | 1.64 | 5.81 | 1.65 | 5.69 | 1.67 | 5.62 | 1.67 | 5.56 | 1.67 | 5.44 | 1.68 |
| | -15 | 4.93 | 1.56 | 4.80 | 1.57 | 4.68 | 1.59 | 4.62 | 1.59 | 4.56 | 1.59 | 4.44 | 1.60 |
| 18+16+13+05 | 15 | 10.95 | 2.03 | 10.83 | 2.04 | 10.71 | 2.06 | 10.65 | 2.07 | 10.59 | 2.07 | 10.46 | 2.08 |
| | 10 | 9.95 | 1.95 | 9.83 | 1.97 | 9.70 | 1.99 | 9.64 | 1.99 | 9.58 | 1.99 | 9.46 | 2.00 |
| | 6 | 9.15 | 1.89 | 9.02 | 1.90 | 8.90 | 1.92 | 8.84 | 1.93 | 8.78 | 1.93 | 8.65 | 1.94 |
| | 0 | 7.94 | 1.80 | 7.82 | 1.81 | 7.70 | 1.83 | 7.64 | 1.83 | 7.57 | 1.83 | 7.45 | 1.84 |
| | -5 | 6.94 | 1.72 | 6.82 | 1.73 | 6.69 | 1.75 | 6.63 | 1.75 | 6.57 | 1.75 | 6.45 | 1.76 |
| | -10 | 5.93 | 1.64 | 5.81 | 1.65 | 5.69 | 1.67 | 5.62 | 1.67 | 5.56 | 1.67 | 5.44 | 1.68 |
| | -15 | 4.93 | 1.56 | 4.80 | 1.57 | 4.68 | 1.59 | 4.62 | 1.59 | 4.56 | 1.59 | 4.44 | 1.60 |
| 07+07+07+07 | 15 | 9.85 | 1.90 | 9.74 | 1.91 | 9.62 | 1.93 | 9.57 | 1.93 | 9.52 | 1.93 | 9.41 | 1.94 |
| | 10 | 8.94 | 1.82 | 8.83 | 1.83 | 8.72 | 1.85 | 8.67 | 1.86 | 8.61 | 1.86 | 8.50 | 1.87 |
| | 6 | 8.22 | 1.76 | 8.11 | 1.77 | 8.00 | 1.79 | 7.94 | 1.80 | 7.89 | 1.80 | 7.78 | 1.81 |
| | 0 | 7.14 | 1.68 | 7.03 | 1.69 | 6.92 | 1.70 | 6.86 | 1.71 | 6.81 | 1.71 | 6.70 | 1.72 |
| | -5 | 6.24 | 1.60 | 6.13 | 1.61 | 6.01 | 1.63 | 5.96 | 1.64 | 5.91 | 1.64 | 5.80 | 1.65 |
| | -10 | 5.33 | 1.53 | 5.22 | 1.54 | 5.11 | 1.56 | 5.06 | 1.56 | 5.00 | 1.56 | 4.89 | 1.57 |
| | -15 | 4.43 | 1.46 | 4.32 | 1.47 | 4.21 | 1.48 | 4.15 | 1.49 | 4.10 | 1.49 | 3.99 | 1.50 |
| 10+07+07+07 | 15 | 10.41 | 1.92 | 10.30 | 1.93 | 10.18 | 1.95 | 10.12 | 1.95 | 10.06 | 1.95 | 9.95 | 1.97 |
| | 10 | 9.46 | 1.84 | 9.34 | 1.85 | 9.22 | 1.87 | 9.16 | 1.88 | 9.11 | 1.88 | 8.99 | 1.89 |
| | 6 | 8.69 | 1.78 | 8.58 | 1.79 | 8.46 | 1.81 | 8.40 | 1.82 | 8.34 | 1.82 | 8.22 | 1.83 |
| | 0 | 7.55 | 1.70 | 7.43 | 1.71 | 7.31 | 1.72 | 7.26 | 1.73 | 7.20 | 1.73 | 7.08 | 1.74 |
| | -5 | 6.59 | 1.62 | 6.48 | 1.63 | 6.36 | 1.65 | 6.30 | 1.65 | 6.25 | 1.65 | 6.13 | 1.66 |
| | -10 | 5.64 | 1.55 | 5.52 | 1.56 | 5.41 | 1.57 | 5.35 | 1.58 | 5.29 | 1.58 | 5.17 | 1.59 |
| | -15 | 4.68 | 1.47 | 4.57 | 1.48 | 4.45 | 1.50 | 4.39 | 1.50 | 4.33 | 1.50 | 4.22 | 1.51 |
| 13+07+07+07 | 15 | 10.63 | 1.96 | 10.51 | 1.97 | 10.39 | 1.99 | 10.34 | 1.99 | 10.28 | 1.99 | 10.16 | 2.01 |
| | 10 | 9.66 | 1.88 | 9.54 | 1.89 | 9.42 | 1.91 | 9.36 | 1.92 | 9.30 | 1.92 | 9.18 | 1.93 |
| | 6 | 8.88 | 1.82 | 8.76 | 1.83 | 8.64 | 1.85 | 8.58 | 1.86 | 8.52 | 1.86 | 8.40 | 1.87 |
| | 0 | 7.71 | 1.73 | 7.59 | 1.74 | 7.47 | 1.76 | 7.41 | 1.76 | 7.35 | 1.76 | 7.23 | 1.78 |
| | -5 | 6.74 | 1.66 | 6.62 | 1.67 | 6.50 | 1.68 | 6.44 | 1.69 | 6.38 | 1.69 | 6.26 | 1.70 |
| | -10 | 5.76 | 1.58 | 5.64 | 1.59 | 5.52 | 1.61 | 5.46 | 1.61 | 5.40 | 1.61 | 5.28 | 1.62 |
| | -15 | 4.78 | 1.51 | 4.66 | 1.51 | 4.55 | 1.53 | 4.48 | 1.53 | 4.43 | 1.53 | 4.31 | 1.54 |
| 16+07+07+07 | 15 | 10.74 | 1.98 | 10.62 | 1.99 | 10.50 | 2.01 | 10.44 | 2.02 | 10.38 | 2.02 | 10.26 | 2.03 |
| | 10 | 9.76 | 1.90 | 9.64 | 1.91 | 9.52 | 1.93 | 9.46 | 1.94 | 9.40 | 1.94 | 9.27 | 1.95 |
| | 6 | 8.97 | 1.84 | 8.85 | 1.85 | 8.73 | 1.87 | 8.67 | 1.87 | 8.61 | 1.87 | 8.49 | 1.89 |
| | 0 | 7.79 | 1.75 | 7.67 | 1.76 | 7.55 | 1.78 | 7.49 | 1.78 | 7.43 | 1.78 | 7.31 | 1.79 |
| | -5 | 6.81 | 1.67 | 6.68 | 1.68 | 6.56 | 1.70 | 6.50 | 1.71 | 6.44 | 1.71 | 6.32 | 1.72 |
| | -10 | 5.82 | 1.60 | 5.70 | 1.61 | 5.58 | 1.62 | 5.52 | 1.63 | 5.46 | 1.63 | 5.34 | 1.64 |
| | -15 | 4.83 | 1.52 | 4.71 | 1.53 | 4.59 | 1.55 | 4.53 | 1.55 | 4.47 | 1.55 | 4.35 | 1.56 |
| 18+07+07+07 | 15 | 10.86 | 2.00 | 10.73 | 2.01 | 10.61 | 2.03 | 10.55 | 2.04 | 10.49 | 2.04 | 10.37 | 2.05 |
| | 10 | 9.86 | 1.92 | 9.74 | 1.93 | 9.62 | 1.95 | 9.55 | 1.96 | 9.49 | 1.96 | 9.37 | 1.97 |
| | 6 | 9.06 | 1.86 | 8.94 | 1.87 | 8.82 | 1.89 | 8.76 | 1.89 | 8.70 | 1.89 | 8.57 | 1.91 |
| | 0 | 7.87 | 1.77 | 7.75 | 1.78 | 7.63 | 1.80 | 7.57 | 1.80 | 7.51 | 1.80 | 7.38 | 1.81 |
| | -5 | 6.88 | 1.69 | 6.75 | 1.70 | 6.63 | 1.72 | 6.57 | 1.72 | 6.51 | 1.72 | 6.39 | 1.73 |
| | -10 | 5.88 | 1.61 | 5.76 | 1.62 | 5.64 | 1.64 | 5.57 | 1.65 | 5.51 | 1.65 | 5.39 | 1.66 |
| | -15 | 4.88 | 1.54 | 4.76 | 1.55 | 4.64 | 1.56 | 4.58 | 1.57 | 4.52 | 1.57 | 4.40 | 1.58 |

Heating

4 - rooms multisplit : 4 - unit operation

Indoor units : 10 type + 10 type + 07 type + 07 type 13 type + 13 type + 07 type + 07 type
 13 type + 10 type + 07 type + 07 type 16 type + 13 type + 07 type + 07 type
 16 type + 10 type + 07 type + 07 type 18 type + 13 type + 07 type + 07 type
 18 type + 10 type + 07 type + 07 type 16 type + 16 type + 07 type + 07 type

Outdoor unit : RAS-4M27U2AVG-E

| Combination (Capacity) | Outdoor air temp. [°C WB] | Indoor air temp. [°C DB] | | | | | | | | | | | |
|---------------------------|---------------------------------|--------------------------|------------|------------|------------|------------|------------|------------|------------|------------|------------|------------|------------|
| | | 16 | | 18 | | 20 | | 21 | | 22 | | 24 | |
| | | TC [kW] | PI [kW] | TC [kW] | PI [kW] | TC [kW] | PI [kW] | TC [kW] | PI [kW] | TC [kW] | PI [kW] | TC [kW] | PI [kW] |
| 10+10+07+07 | 15 | 10.63 | 1.96 | 10.51 | 1.97 | 10.39 | 1.99 | 10.34 | 1.99 | 10.28 | 1.99 | 10.16 | 2.01 |
| | 10 | 9.66 | 1.88 | 9.54 | 1.89 | 9.42 | 1.91 | 9.36 | 1.92 | 9.30 | 1.92 | 9.18 | 1.93 |
| | 6 | 8.88 | 1.82 | 8.76 | 1.83 | 8.64 | 1.85 | 8.58 | 1.86 | 8.52 | 1.86 | 8.40 | 1.87 |
| | 0 | 7.71 | 1.73 | 7.59 | 1.74 | 7.47 | 1.76 | 7.41 | 1.76 | 7.35 | 1.76 | 7.23 | 1.78 |
| | -5 | 6.74 | 1.66 | 6.62 | 1.67 | 6.50 | 1.68 | 6.44 | 1.69 | 6.38 | 1.69 | 6.26 | 1.70 |
| | -10 | 5.76 | 1.58 | 5.64 | 1.59 | 5.52 | 1.61 | 5.46 | 1.61 | 5.40 | 1.61 | 5.28 | 1.62 |
| | -15 | 4.78 | 1.51 | 4.66 | 1.51 | 4.55 | 1.53 | 4.48 | 1.53 | 4.43 | 1.53 | 4.31 | 1.54 |
| 13+10+07+07 | 15 | 10.74 | 1.98 | 10.62 | 1.99 | 10.50 | 2.01 | 10.44 | 2.02 | 10.38 | 2.02 | 10.26 | 2.03 |
| | 10 | 9.76 | 1.90 | 9.64 | 1.91 | 9.52 | 1.93 | 9.46 | 1.94 | 9.40 | 1.94 | 9.27 | 1.95 |
| | 6 | 8.97 | 1.84 | 8.85 | 1.85 | 8.73 | 1.87 | 8.67 | 1.87 | 8.61 | 1.87 | 8.49 | 1.89 |
| | 0 | 7.79 | 1.75 | 7.67 | 1.76 | 7.55 | 1.78 | 7.49 | 1.78 | 7.43 | 1.78 | 7.31 | 1.79 |
| | -5 | 6.81 | 1.67 | 6.68 | 1.68 | 6.56 | 1.70 | 6.50 | 1.71 | 6.44 | 1.71 | 6.32 | 1.72 |
| | -10 | 5.82 | 1.60 | 5.70 | 1.61 | 5.58 | 1.62 | 5.52 | 1.63 | 5.46 | 1.63 | 5.34 | 1.64 |
| | -15 | 4.83 | 1.52 | 4.71 | 1.53 | 4.59 | 1.55 | 4.53 | 1.55 | 4.47 | 1.55 | 4.35 | 1.56 |
| 16+10+07+07 | 15 | 10.86 | 2.00 | 10.73 | 2.01 | 10.61 | 2.03 | 10.55 | 2.04 | 10.49 | 2.04 | 10.37 | 2.05 |
| | 10 | 9.86 | 1.92 | 9.74 | 1.93 | 9.62 | 1.95 | 9.55 | 1.96 | 9.49 | 1.96 | 9.37 | 1.97 |
| | 6 | 9.06 | 1.86 | 8.94 | 1.87 | 8.82 | 1.89 | 8.76 | 1.89 | 8.70 | 1.89 | 8.57 | 1.91 |
| | 0 | 7.87 | 1.77 | 7.75 | 1.78 | 7.63 | 1.80 | 7.57 | 1.80 | 7.51 | 1.80 | 7.38 | 1.81 |
| | -5 | 6.88 | 1.69 | 6.75 | 1.70 | 6.63 | 1.72 | 6.57 | 1.72 | 6.51 | 1.72 | 6.39 | 1.73 |
| | -10 | 5.88 | 1.61 | 5.76 | 1.62 | 5.64 | 1.64 | 5.57 | 1.65 | 5.51 | 1.65 | 5.39 | 1.66 |
| | -15 | 4.88 | 1.54 | 4.76 | 1.55 | 4.64 | 1.56 | 4.58 | 1.57 | 4.52 | 1.57 | 4.40 | 1.58 |
| 18+10+07+07 | 15 | 10.95 | 2.01 | 10.83 | 2.03 | 10.71 | 2.05 | 10.65 | 2.05 | 10.59 | 2.05 | 10.46 | 2.07 |
| | 10 | 9.95 | 1.94 | 9.83 | 1.95 | 9.70 | 1.97 | 9.64 | 1.98 | 9.58 | 1.98 | 9.46 | 1.99 |
| | 6 | 9.15 | 1.87 | 9.02 | 1.89 | 8.90 | 1.91 | 8.84 | 1.91 | 8.78 | 1.91 | 8.65 | 1.92 |
| | 0 | 7.94 | 1.78 | 7.82 | 1.79 | 7.70 | 1.81 | 7.64 | 1.82 | 7.57 | 1.82 | 7.45 | 1.83 |
| | -5 | 6.94 | 1.70 | 6.82 | 1.72 | 6.69 | 1.73 | 6.63 | 1.74 | 6.57 | 1.74 | 6.45 | 1.75 |
| | -10 | 5.93 | 1.63 | 5.81 | 1.64 | 5.69 | 1.65 | 5.62 | 1.66 | 5.56 | 1.66 | 5.44 | 1.67 |
| | -15 | 4.93 | 1.55 | 4.80 | 1.56 | 4.68 | 1.58 | 4.62 | 1.58 | 4.56 | 1.58 | 4.44 | 1.59 |
| 13+13+07+07 | 15 | 10.95 | 2.01 | 10.83 | 2.03 | 10.71 | 2.05 | 10.65 | 2.05 | 10.59 | 2.05 | 10.46 | 2.07 |
| | 10 | 9.95 | 1.94 | 9.83 | 1.95 | 9.70 | 1.97 | 9.64 | 1.98 | 9.58 | 1.98 | 9.46 | 1.99 |
| | 6 | 9.15 | 1.87 | 9.02 | 1.89 | 8.90 | 1.91 | 8.84 | 1.91 | 8.78 | 1.91 | 8.65 | 1.92 |
| | 0 | 7.94 | 1.78 | 7.82 | 1.79 | 7.70 | 1.81 | 7.64 | 1.82 | 7.57 | 1.82 | 7.45 | 1.83 |
| | -5 | 6.94 | 1.70 | 6.82 | 1.72 | 6.69 | 1.73 | 6.63 | 1.74 | 6.57 | 1.74 | 6.45 | 1.75 |
| | -10 | 5.93 | 1.63 | 5.81 | 1.64 | 5.69 | 1.65 | 5.62 | 1.66 | 5.56 | 1.66 | 5.44 | 1.67 |
| | -15 | 4.93 | 1.55 | 4.80 | 1.56 | 4.68 | 1.58 | 4.62 | 1.58 | 4.56 | 1.58 | 4.44 | 1.59 |
| 16+13+07+07 | 15 | 10.95 | 2.01 | 10.83 | 2.03 | 10.71 | 2.05 | 10.65 | 2.05 | 10.59 | 2.05 | 10.46 | 2.07 |
| | 10 | 9.95 | 1.94 | 9.83 | 1.95 | 9.70 | 1.97 | 9.64 | 1.98 | 9.58 | 1.98 | 9.46 | 1.99 |
| | 6 | 9.15 | 1.87 | 9.02 | 1.89 | 8.90 | 1.91 | 8.84 | 1.91 | 8.78 | 1.91 | 8.65 | 1.92 |
| | 0 | 7.94 | 1.78 | 7.82 | 1.79 | 7.70 | 1.81 | 7.64 | 1.82 | 7.57 | 1.82 | 7.45 | 1.83 |
| | -5 | 6.94 | 1.70 | 6.82 | 1.72 | 6.69 | 1.73 | 6.63 | 1.74 | 6.57 | 1.74 | 6.45 | 1.75 |
| | -10 | 5.93 | 1.63 | 5.81 | 1.64 | 5.69 | 1.65 | 5.62 | 1.66 | 5.56 | 1.66 | 5.44 | 1.67 |
| | -15 | 4.93 | 1.55 | 4.80 | 1.56 | 4.68 | 1.58 | 4.62 | 1.58 | 4.56 | 1.58 | 4.44 | 1.59 |
| 18+13+07+07 | 15 | 10.95 | 2.01 | 10.83 | 2.03 | 10.71 | 2.05 | 10.65 | 2.05 | 10.59 | 2.05 | 10.46 | 2.07 |
| | 10 | 9.95 | 1.94 | 9.83 | 1.95 | 9.70 | 1.97 | 9.64 | 1.98 | 9.58 | 1.98 | 9.46 | 1.99 |
| | 6 | 9.15 | 1.87 | 9.02 | 1.89 | 8.90 | 1.91 | 8.84 | 1.91 | 8.78 | 1.91 | 8.65 | 1.92 |
| | 0 | 7.94 | 1.78 | 7.82 | 1.79 | 7.70 | 1.81 | 7.64 | 1.82 | 7.57 | 1.82 | 7.45 | 1.83 |
| | -5 | 6.94 | 1.70 | 6.82 | 1.72 | 6.69 | 1.73 | 6.63 | 1.74 | 6.57 | 1.74 | 6.45 | 1.75 |
| | -10 | 5.93 | 1.63 | 5.81 | 1.64 | 5.69 | 1.65 | 5.62 | 1.66 | 5.56 | 1.66 | 5.44 | 1.67 |
| | -15 | 4.93 | 1.55 | 4.80 | 1.56 | 4.68 | 1.58 | 4.62 | 1.58 | 4.56 | 1.58 | 4.44 | 1.59 |
| 16+16+07+07 | 15 | 10.95 | 2.01 | 10.83 | 2.03 | 10.71 | 2.05 | 10.65 | 2.05 | 10.59 | 2.05 | 10.46 | 2.07 |
| | 10 | 9.95 | 1.94 | 9.83 | 1.95 | 9.70 | 1.97 | 9.64 | 1.98 | 9.58 | 1.98 | 9.46 | 1.99 |
| | 6 | 9.15 | 1.87 | 9.02 | 1.89 | 8.90 | 1.91 | 8.84 | 1.91 | 8.78 | 1.91 | 8.65 | 1.92 |
| | 0 | 7.94 | 1.78 | 7.82 | 1.79 | 7.70 | 1.81 | 7.64 | 1.82 | 7.57 | 1.82 | 7.45 | 1.83 |
| | -5 | 6.94 | 1.70 | 6.82 | 1.72 | 6.69 | 1.73 | 6.63 | 1.74 | 6.57 | 1.74 | 6.45 | 1.75 |
| | -10 | 5.93 | 1.63 | 5.81 | 1.64 | 5.69 | 1.65 | 5.62 | 1.66 | 5.56 | 1.66 | 5.44 | 1.67 |
| | -15 | 4.93 | 1.55 | 4.80 | 1.56 | 4.68 | 1.58 | 4.62 | 1.58 | 4.56 | 1.58 | 4.44 | 1.59 |

Heating

4 - rooms multisplit : 4 - unit operation

Indoor units : 18 type + 16 type + 07 type + 07 type 16 type + 10 type + 10 type + 07 type
 18 type + 18 type + 07 type + 07 type 18 type + 10 type + 10 type + 07 type
 10 type + 10 type + 10 type + 07 type 13 type + 13 type + 10 type + 07 type
 13 type + 10 type + 10 type + 07 type 16 type + 13 type + 10 type + 07 type

Outdoor unit : RAS-4M27U2AVG-E

| Combination (Capacity) | Outdoor air temp. [°C WB] | Indoor air temp. [°C DB] | | | | | | | | | | | |
|---------------------------|---------------------------------|--------------------------|------------|------------|------------|------------|------------|------------|------------|------------|------------|------------|------------|
| | | 16 | | 18 | | 20 | | 21 | | 22 | | 24 | |
| | | TC [kW] | PI [kW] | TC [kW] | PI [kW] | TC [kW] | PI [kW] | TC [kW] | PI [kW] | TC [kW] | PI [kW] | TC [kW] | PI [kW] |
| 18+16+07+07 | 15 | 10.95 | 2.01 | 10.83 | 2.03 | 10.71 | 2.05 | 10.65 | 2.05 | 10.59 | 2.05 | 10.46 | 2.07 |
| | 10 | 9.95 | 1.94 | 9.83 | 1.95 | 9.70 | 1.97 | 9.64 | 1.98 | 9.58 | 1.98 | 9.46 | 1.99 |
| | 6 | 9.15 | 1.87 | 9.02 | 1.89 | 8.90 | 1.91 | 8.84 | 1.91 | 8.78 | 1.91 | 8.65 | 1.92 |
| | 0 | 7.94 | 1.78 | 7.82 | 1.79 | 7.70 | 1.81 | 7.64 | 1.82 | 7.57 | 1.82 | 7.45 | 1.83 |
| | -5 | 6.94 | 1.70 | 6.82 | 1.72 | 6.69 | 1.73 | 6.63 | 1.74 | 6.57 | 1.74 | 6.45 | 1.75 |
| | -10 | 5.93 | 1.63 | 5.81 | 1.64 | 5.69 | 1.65 | 5.62 | 1.66 | 5.56 | 1.66 | 5.44 | 1.67 |
| | -15 | 4.93 | 1.55 | 4.80 | 1.56 | 4.68 | 1.58 | 4.62 | 1.58 | 4.56 | 1.58 | 4.44 | 1.59 |
| 18+18+07+07 | 15 | 10.95 | 2.01 | 10.83 | 2.03 | 10.71 | 2.05 | 10.65 | 2.05 | 10.59 | 2.05 | 10.46 | 2.07 |
| | 10 | 9.95 | 1.94 | 9.83 | 1.95 | 9.70 | 1.97 | 9.64 | 1.98 | 9.58 | 1.98 | 9.46 | 1.99 |
| | 6 | 9.15 | 1.87 | 9.02 | 1.89 | 8.90 | 1.91 | 8.84 | 1.91 | 8.78 | 1.91 | 8.65 | 1.92 |
| | 0 | 7.94 | 1.78 | 7.82 | 1.79 | 7.70 | 1.81 | 7.64 | 1.82 | 7.57 | 1.82 | 7.45 | 1.83 |
| | -5 | 6.94 | 1.70 | 6.82 | 1.72 | 6.69 | 1.73 | 6.63 | 1.74 | 6.57 | 1.74 | 6.45 | 1.75 |
| | -10 | 5.93 | 1.63 | 5.81 | 1.64 | 5.69 | 1.65 | 5.62 | 1.66 | 5.56 | 1.66 | 5.44 | 1.67 |
| | -15 | 4.93 | 1.55 | 4.80 | 1.56 | 4.68 | 1.58 | 4.62 | 1.58 | 4.56 | 1.58 | 4.44 | 1.59 |
| 10+10+10+07 | 15 | 10.63 | 1.96 | 10.51 | 1.97 | 10.39 | 1.99 | 10.34 | 1.99 | 10.28 | 1.99 | 10.16 | 2.01 |
| | 10 | 9.66 | 1.88 | 9.54 | 1.89 | 9.42 | 1.91 | 9.36 | 1.92 | 9.30 | 1.92 | 9.18 | 1.93 |
| | 6 | 8.88 | 1.82 | 8.76 | 1.83 | 8.64 | 1.85 | 8.58 | 1.86 | 8.52 | 1.86 | 8.40 | 1.87 |
| | 0 | 7.71 | 1.73 | 7.59 | 1.74 | 7.47 | 1.76 | 7.41 | 1.76 | 7.35 | 1.76 | 7.23 | 1.78 |
| | -5 | 6.74 | 1.66 | 6.62 | 1.67 | 6.50 | 1.68 | 6.44 | 1.69 | 6.38 | 1.69 | 6.26 | 1.70 |
| | -10 | 5.76 | 1.58 | 5.64 | 1.59 | 5.52 | 1.61 | 5.46 | 1.61 | 5.40 | 1.61 | 5.28 | 1.62 |
| | -15 | 4.78 | 1.51 | 4.66 | 1.51 | 4.55 | 1.53 | 4.48 | 1.53 | 4.43 | 1.53 | 4.31 | 1.54 |
| 13+10+10+07 | 15 | 10.86 | 2.00 | 10.73 | 2.01 | 10.61 | 2.03 | 10.55 | 2.04 | 10.49 | 2.04 | 10.37 | 2.05 |
| | 10 | 9.86 | 1.92 | 9.74 | 1.93 | 9.62 | 1.95 | 9.55 | 1.96 | 9.49 | 1.96 | 9.37 | 1.97 |
| | 6 | 9.06 | 1.86 | 8.94 | 1.87 | 8.82 | 1.89 | 8.76 | 1.89 | 8.70 | 1.89 | 8.57 | 1.91 |
| | 0 | 7.87 | 1.77 | 7.75 | 1.78 | 7.63 | 1.80 | 7.57 | 1.80 | 7.51 | 1.80 | 7.38 | 1.81 |
| | -5 | 6.88 | 1.69 | 6.75 | 1.70 | 6.63 | 1.72 | 6.57 | 1.72 | 6.51 | 1.72 | 6.39 | 1.73 |
| | -10 | 5.88 | 1.61 | 5.76 | 1.62 | 5.64 | 1.64 | 5.57 | 1.65 | 5.51 | 1.65 | 5.39 | 1.66 |
| | -15 | 4.88 | 1.54 | 4.76 | 1.55 | 4.64 | 1.56 | 4.58 | 1.57 | 4.52 | 1.57 | 4.40 | 1.58 |
| 16+10+10+07 | 15 | 10.95 | 2.01 | 10.83 | 2.03 | 10.71 | 2.05 | 10.65 | 2.05 | 10.59 | 2.05 | 10.46 | 2.07 |
| | 10 | 9.95 | 1.94 | 9.83 | 1.95 | 9.70 | 1.97 | 9.64 | 1.98 | 9.58 | 1.98 | 9.46 | 1.99 |
| | 6 | 9.15 | 1.87 | 9.02 | 1.89 | 8.90 | 1.91 | 8.84 | 1.91 | 8.78 | 1.91 | 8.65 | 1.92 |
| | 0 | 7.94 | 1.78 | 7.82 | 1.79 | 7.70 | 1.81 | 7.64 | 1.82 | 7.57 | 1.82 | 7.45 | 1.83 |
| | -5 | 6.94 | 1.70 | 6.82 | 1.72 | 6.69 | 1.73 | 6.63 | 1.74 | 6.57 | 1.74 | 6.45 | 1.75 |
| | -10 | 5.93 | 1.63 | 5.81 | 1.64 | 5.69 | 1.65 | 5.62 | 1.66 | 5.56 | 1.66 | 5.44 | 1.67 |
| | -15 | 4.93 | 1.55 | 4.80 | 1.56 | 4.68 | 1.58 | 4.62 | 1.58 | 4.56 | 1.58 | 4.44 | 1.59 |
| 18+10+10+07 | 15 | 10.95 | 2.01 | 10.83 | 2.03 | 10.71 | 2.05 | 10.65 | 2.05 | 10.59 | 2.05 | 10.46 | 2.07 |
| | 10 | 9.95 | 1.94 | 9.83 | 1.95 | 9.70 | 1.97 | 9.64 | 1.98 | 9.58 | 1.98 | 9.46 | 1.99 |
| | 6 | 9.15 | 1.87 | 9.02 | 1.89 | 8.90 | 1.91 | 8.84 | 1.91 | 8.78 | 1.91 | 8.65 | 1.92 |
| | 0 | 7.94 | 1.78 | 7.82 | 1.79 | 7.70 | 1.81 | 7.64 | 1.82 | 7.57 | 1.82 | 7.45 | 1.83 |
| | -5 | 6.94 | 1.70 | 6.82 | 1.72 | 6.69 | 1.73 | 6.63 | 1.74 | 6.57 | 1.74 | 6.45 | 1.75 |
| | -10 | 5.93 | 1.63 | 5.81 | 1.64 | 5.69 | 1.65 | 5.62 | 1.66 | 5.56 | 1.66 | 5.44 | 1.67 |
| | -15 | 4.93 | 1.55 | 4.80 | 1.56 | 4.68 | 1.58 | 4.62 | 1.58 | 4.56 | 1.58 | 4.44 | 1.59 |
| 13+13+10+07 | 15 | 10.95 | 2.01 | 10.83 | 2.03 | 10.71 | 2.05 | 10.65 | 2.05 | 10.59 | 2.05 | 10.46 | 2.07 |
| | 10 | 9.95 | 1.94 | 9.83 | 1.95 | 9.70 | 1.97 | 9.64 | 1.98 | 9.58 | 1.98 | 9.46 | 1.99 |
| | 6 | 9.15 | 1.87 | 9.02 | 1.89 | 8.90 | 1.91 | 8.84 | 1.91 | 8.78 | 1.91 | 8.65 | 1.92 |
| | 0 | 7.94 | 1.78 | 7.82 | 1.79 | 7.70 | 1.81 | 7.64 | 1.82 | 7.57 | 1.82 | 7.45 | 1.83 |
| | -5 | 6.94 | 1.70 | 6.82 | 1.72 | 6.69 | 1.73 | 6.63 | 1.74 | 6.57 | 1.74 | 6.45 | 1.75 |
| | -10 | 5.93 | 1.63 | 5.81 | 1.64 | 5.69 | 1.65 | 5.62 | 1.66 | 5.56 | 1.66 | 5.44 | 1.67 |
| | -15 | 4.93 | 1.55 | 4.80 | 1.56 | 4.68 | 1.58 | 4.62 | 1.58 | 4.56 | 1.58 | 4.44 | 1.59 |
| 16+13+10+07 | 15 | 10.95 | 2.01 | 10.83 | 2.03 | 10.71 | 2.05 | 10.65 | 2.05 | 10.59 | 2.05 | 10.46 | 2.07 |
| | 10 | 9.95 | 1.94 | 9.83 | 1.95 | 9.70 | 1.97 | 9.64 | 1.98 | 9.58 | 1.98 | 9.46 | 1.99 |
| | 6 | 9.15 | 1.87 | 9.02 | 1.89 | 8.90 | 1.91 | 8.84 | 1.91 | 8.78 | 1.91 | 8.65 | 1.92 |
| | 0 | 7.94 | 1.78 | 7.82 | 1.79 | 7.70 | 1.81 | 7.64 | 1.82 | 7.57 | 1.82 | 7.45 | 1.83 |
| | -5 | 6.94 | 1.70 | 6.82 | 1.72 | 6.69 | 1.73 | 6.63 | 1.74 | 6.57 | 1.74 | 6.45 | 1.75 |
| | -10 | 5.93 | 1.63 | 5.81 | 1.64 | 5.69 | 1.65 | 5.62 | 1.66 | 5.56 | 1.66 | 5.44 | 1.67 |
| | -15 | 4.93 | 1.55 | 4.80 | 1.56 | 4.68 | 1.58 | 4.62 | 1.58 | 4.56 | 1.58 | 4.44 | 1.59 |

Heating

4 - rooms multisplit : 4 - unit operation

Indoor units : 18 type + 13 type + 10 type + 07 type 13 type + 13 type + 13 type + 07 type
 16 type + 16 type + 10 type + 07 type 16 type + 13 type + 13 type + 07 type
 18 type + 16 type + 10 type + 07 type 18 type + 13 type + 13 type + 07 type
 18 type + 18 type + 10 type + 07 type 16 type + 16 type + 13 type + 07 type

Outdoor unit : RAS-4M27U2AVG-E

| Combination (Capacity) | Outdoor air temp. [°C WB] | Indoor air temp. [°C DB] | | | | | | | | | | | |
|---------------------------|---------------------------------|--------------------------|------------|------------|------------|------------|------------|------------|------------|------------|------------|------------|------------|
| | | 16 | | 18 | | 20 | | 21 | | 22 | | 24 | |
| | | TC [kW] | PI [kW] | TC [kW] | PI [kW] | TC [kW] | PI [kW] | TC [kW] | PI [kW] | TC [kW] | PI [kW] | TC [kW] | PI [kW] |
| 18+13+10+07 | 15 | 10.95 | 2.01 | 10.83 | 2.03 | 10.71 | 2.05 | 10.65 | 2.05 | 10.59 | 2.05 | 10.46 | 2.07 |
| | 10 | 9.95 | 1.94 | 9.83 | 1.95 | 9.70 | 1.97 | 9.64 | 1.98 | 9.58 | 1.98 | 9.46 | 1.99 |
| | 6 | 9.15 | 1.87 | 9.02 | 1.89 | 8.90 | 1.91 | 8.84 | 1.91 | 8.78 | 1.91 | 8.65 | 1.92 |
| | 0 | 7.94 | 1.78 | 7.82 | 1.79 | 7.70 | 1.81 | 7.64 | 1.82 | 7.57 | 1.82 | 7.45 | 1.83 |
| | -5 | 6.94 | 1.70 | 6.82 | 1.72 | 6.69 | 1.73 | 6.63 | 1.74 | 6.57 | 1.74 | 6.45 | 1.75 |
| | -10 | 5.93 | 1.63 | 5.81 | 1.64 | 5.69 | 1.65 | 5.62 | 1.66 | 5.56 | 1.66 | 5.44 | 1.67 |
| | -15 | 4.93 | 1.55 | 4.80 | 1.56 | 4.68 | 1.58 | 4.62 | 1.58 | 4.56 | 1.58 | 4.44 | 1.59 |
| 16+16+10+07 | 15 | 10.95 | 2.01 | 10.83 | 2.03 | 10.71 | 2.05 | 10.65 | 2.05 | 10.59 | 2.05 | 10.46 | 2.07 |
| | 10 | 9.95 | 1.94 | 9.83 | 1.95 | 9.70 | 1.97 | 9.64 | 1.98 | 9.58 | 1.98 | 9.46 | 1.99 |
| | 6 | 9.15 | 1.87 | 9.02 | 1.89 | 8.90 | 1.91 | 8.84 | 1.91 | 8.78 | 1.91 | 8.65 | 1.92 |
| | 0 | 7.94 | 1.78 | 7.82 | 1.79 | 7.70 | 1.81 | 7.64 | 1.82 | 7.57 | 1.82 | 7.45 | 1.83 |
| | -5 | 6.94 | 1.70 | 6.82 | 1.72 | 6.69 | 1.73 | 6.63 | 1.74 | 6.57 | 1.74 | 6.45 | 1.75 |
| | -10 | 5.93 | 1.63 | 5.81 | 1.64 | 5.69 | 1.65 | 5.62 | 1.66 | 5.56 | 1.66 | 5.44 | 1.67 |
| | -15 | 4.93 | 1.55 | 4.80 | 1.56 | 4.68 | 1.58 | 4.62 | 1.58 | 4.56 | 1.58 | 4.44 | 1.59 |
| 18+16+10+07 | 15 | 10.95 | 2.01 | 10.83 | 2.03 | 10.71 | 2.05 | 10.65 | 2.05 | 10.59 | 2.05 | 10.46 | 2.07 |
| | 10 | 9.95 | 1.94 | 9.83 | 1.95 | 9.70 | 1.97 | 9.64 | 1.98 | 9.58 | 1.98 | 9.46 | 1.99 |
| | 6 | 9.15 | 1.87 | 9.02 | 1.89 | 8.90 | 1.91 | 8.84 | 1.91 | 8.78 | 1.91 | 8.65 | 1.92 |
| | 0 | 7.94 | 1.78 | 7.82 | 1.79 | 7.70 | 1.81 | 7.64 | 1.82 | 7.57 | 1.82 | 7.45 | 1.83 |
| | -5 | 6.94 | 1.70 | 6.82 | 1.72 | 6.69 | 1.73 | 6.63 | 1.74 | 6.57 | 1.74 | 6.45 | 1.75 |
| | -10 | 5.93 | 1.63 | 5.81 | 1.64 | 5.69 | 1.65 | 5.62 | 1.66 | 5.56 | 1.66 | 5.44 | 1.67 |
| | -15 | 4.93 | 1.55 | 4.80 | 1.56 | 4.68 | 1.58 | 4.62 | 1.58 | 4.56 | 1.58 | 4.44 | 1.59 |
| 18+18+10+07 | 15 | 11.08 | 2.04 | 10.95 | 2.05 | 10.83 | 2.07 | 10.77 | 2.08 | 10.71 | 2.08 | 10.58 | 2.09 |
| | 10 | 10.06 | 1.96 | 9.94 | 1.97 | 9.81 | 1.99 | 9.75 | 2.00 | 9.69 | 2.00 | 9.56 | 2.01 |
| | 6 | 9.25 | 1.90 | 9.12 | 1.91 | 9.00 | 1.93 | 8.94 | 1.93 | 8.87 | 1.93 | 8.75 | 1.94 |
| | 0 | 8.03 | 1.80 | 7.91 | 1.81 | 7.78 | 1.83 | 7.72 | 1.84 | 7.66 | 1.84 | 7.54 | 1.85 |
| | -5 | 7.02 | 1.72 | 6.89 | 1.74 | 6.77 | 1.75 | 6.71 | 1.76 | 6.64 | 1.76 | 6.52 | 1.77 |
| | -10 | 6.00 | 1.65 | 5.87 | 1.66 | 5.75 | 1.67 | 5.69 | 1.68 | 5.62 | 1.68 | 5.50 | 1.69 |
| | -15 | 4.98 | 1.57 | 4.86 | 1.58 | 4.74 | 1.59 | 4.67 | 1.60 | 4.61 | 1.60 | 4.49 | 1.61 |
| 13+13+13+07 | 15 | 10.95 | 2.01 | 10.83 | 2.03 | 10.71 | 2.05 | 10.65 | 2.05 | 10.59 | 2.05 | 10.46 | 2.07 |
| | 10 | 9.95 | 1.94 | 9.83 | 1.95 | 9.70 | 1.97 | 9.64 | 1.98 | 9.58 | 1.98 | 9.46 | 1.99 |
| | 6 | 9.15 | 1.87 | 9.02 | 1.89 | 8.90 | 1.91 | 8.84 | 1.91 | 8.78 | 1.91 | 8.65 | 1.92 |
| | 0 | 7.94 | 1.78 | 7.82 | 1.79 | 7.70 | 1.81 | 7.64 | 1.82 | 7.57 | 1.82 | 7.45 | 1.83 |
| | -5 | 6.94 | 1.70 | 6.82 | 1.72 | 6.69 | 1.73 | 6.63 | 1.74 | 6.57 | 1.74 | 6.45 | 1.75 |
| | -10 | 5.93 | 1.63 | 5.81 | 1.64 | 5.69 | 1.65 | 5.62 | 1.66 | 5.56 | 1.66 | 5.44 | 1.67 |
| | -15 | 4.93 | 1.55 | 4.80 | 1.56 | 4.68 | 1.58 | 4.62 | 1.58 | 4.56 | 1.58 | 4.44 | 1.59 |
| 16+13+13+07 | 15 | 10.95 | 2.01 | 10.83 | 2.03 | 10.71 | 2.05 | 10.65 | 2.05 | 10.59 | 2.05 | 10.46 | 2.07 |
| | 10 | 9.95 | 1.94 | 9.83 | 1.95 | 9.70 | 1.97 | 9.64 | 1.98 | 9.58 | 1.98 | 9.46 | 1.99 |
| | 6 | 9.15 | 1.87 | 9.02 | 1.89 | 8.90 | 1.91 | 8.84 | 1.91 | 8.78 | 1.91 | 8.65 | 1.92 |
| | 0 | 7.94 | 1.78 | 7.82 | 1.79 | 7.70 | 1.81 | 7.64 | 1.82 | 7.57 | 1.82 | 7.45 | 1.83 |
| | -5 | 6.94 | 1.70 | 6.82 | 1.72 | 6.69 | 1.73 | 6.63 | 1.74 | 6.57 | 1.74 | 6.45 | 1.75 |
| | -10 | 5.93 | 1.63 | 5.81 | 1.64 | 5.69 | 1.65 | 5.62 | 1.66 | 5.56 | 1.66 | 5.44 | 1.67 |
| | -15 | 4.93 | 1.55 | 4.80 | 1.56 | 4.68 | 1.58 | 4.62 | 1.58 | 4.56 | 1.58 | 4.44 | 1.59 |
| 18+13+13+07 | 15 | 10.95 | 2.01 | 10.83 | 2.03 | 10.71 | 2.05 | 10.65 | 2.05 | 10.59 | 2.05 | 10.46 | 2.07 |
| | 10 | 9.95 | 1.94 | 9.83 | 1.95 | 9.70 | 1.97 | 9.64 | 1.98 | 9.58 | 1.98 | 9.46 | 1.99 |
| | 6 | 9.15 | 1.87 | 9.02 | 1.89 | 8.90 | 1.91 | 8.84 | 1.91 | 8.78 | 1.91 | 8.65 | 1.92 |
| | 0 | 7.94 | 1.78 | 7.82 | 1.79 | 7.70 | 1.81 | 7.64 | 1.82 | 7.57 | 1.82 | 7.45 | 1.83 |
| | -5 | 6.94 | 1.70 | 6.82 | 1.72 | 6.69 | 1.73 | 6.63 | 1.74 | 6.57 | 1.74 | 6.45 | 1.75 |
| | -10 | 5.93 | 1.63 | 5.81 | 1.64 | 5.69 | 1.65 | 5.62 | 1.66 | 5.56 | 1.66 | 5.44 | 1.67 |
| | -15 | 4.93 | 1.55 | 4.80 | 1.56 | 4.68 | 1.58 | 4.62 | 1.58 | 4.56 | 1.58 | 4.44 | 1.59 |
| 16+16+13+07 | 15 | 11.08 | 2.04 | 10.95 | 2.05 | 10.83 | 2.07 | 10.77 | 2.08 | 10.71 | 2.08 | 10.58 | 2.09 |
| | 10 | 10.06 | 1.96 | 9.94 | 1.97 | 9.81 | 1.99 | 9.75 | 2.00 | 9.69 | 2.00 | 9.56 | 2.01 |
| | 6 | 9.25 | 1.90 | 9.12 | 1.91 | 9.00 | 1.93 | 8.94 | 1.93 | 8.87 | 1.93 | 8.75 | 1.94 |
| | 0 | 8.03 | 1.80 | 7.91 | 1.81 | 7.78 | 1.83 | 7.72 | 1.84 | 7.66 | 1.84 | 7.54 | 1.85 |
| | -5 | 7.02 | 1.72 | 6.89 | 1.74 | 6.77 | 1.75 | 6.71 | 1.76 | 6.64 | 1.76 | 6.52 | 1.77 |
| | -10 | 6.00 | 1.65 | 5.87 | 1.66 | 5.75 | 1.67 | 5.69 | 1.68 | 5.62 | 1.68 | 5.50 | 1.69 |
| | -15 | 4.98 | 1.57 | 4.86 | 1.58 | 4.74 | 1.59 | 4.67 | 1.60 | 4.61 | 1.60 | 4.49 | 1.61 |

Heating

4 - rooms multisplit : 4 - unit operation

Indoor units : 18 type + 16 type + 13 type + 07 type 18 type + 10 type + 10 type + 10 type
 10 type + 10 type + 10 type + 10 type 13 type + 13 type + 10 type + 10 type
 13 type + 10 type + 10 type + 10 type 16 type + 13 type + 10 type + 10 type
 16 type + 10 type + 10 type + 10 type 18 type + 13 type + 10 type + 10 type

Outdoor unit : RAS-4M27U2AVG-E

| Combination (Capacity) | Outdoor air temp. [°C WB] | Indoor air temp. [°C DB] | | | | | | | | | | | |
|---------------------------|---------------------------------|--------------------------|------------|------------|------------|------------|------------|------------|------------|------------|------------|------------|------------|
| | | 16 | | 18 | | 20 | | 21 | | 22 | | 24 | |
| | | TC [kW] | PI [kW] | TC [kW] | PI [kW] | TC [kW] | PI [kW] | TC [kW] | PI [kW] | TC [kW] | PI [kW] | TC [kW] | PI [kW] |
| 18+16+13+07 | 15 | 11.08 | 2.04 | 10.95 | 2.05 | 10.83 | 2.07 | 10.77 | 2.08 | 10.71 | 2.08 | 10.58 | 2.09 |
| | 10 | 10.06 | 1.96 | 9.94 | 1.97 | 9.81 | 1.99 | 9.75 | 2.00 | 9.69 | 2.00 | 9.56 | 2.01 |
| | 6 | 9.25 | 1.90 | 9.12 | 1.91 | 9.00 | 1.93 | 8.94 | 1.93 | 8.87 | 1.93 | 8.75 | 1.94 |
| | 0 | 8.03 | 1.80 | 7.91 | 1.81 | 7.78 | 1.83 | 7.72 | 1.84 | 7.66 | 1.84 | 7.54 | 1.85 |
| | -5 | 7.02 | 1.72 | 6.89 | 1.74 | 6.77 | 1.75 | 6.71 | 1.76 | 6.64 | 1.76 | 6.52 | 1.77 |
| | -10 | 6.00 | 1.65 | 5.87 | 1.66 | 5.75 | 1.67 | 5.69 | 1.68 | 5.62 | 1.68 | 5.50 | 1.69 |
| | -15 | 4.98 | 1.57 | 4.86 | 1.58 | 4.74 | 1.59 | 4.67 | 1.60 | 4.61 | 1.60 | 4.49 | 1.61 |
| 10+10+10+10 | 15 | 10.74 | 1.98 | 10.62 | 1.99 | 10.50 | 2.01 | 10.44 | 2.02 | 10.38 | 2.02 | 10.26 | 2.03 |
| | 10 | 9.76 | 1.90 | 9.64 | 1.91 | 9.52 | 1.93 | 9.46 | 1.94 | 9.40 | 1.94 | 9.27 | 1.95 |
| | 6 | 8.97 | 1.84 | 8.85 | 1.85 | 8.73 | 1.87 | 8.67 | 1.87 | 8.61 | 1.87 | 8.49 | 1.89 |
| | 0 | 7.79 | 1.75 | 7.67 | 1.76 | 7.55 | 1.78 | 7.49 | 1.78 | 7.43 | 1.78 | 7.31 | 1.79 |
| | -5 | 6.81 | 1.67 | 6.68 | 1.68 | 6.56 | 1.70 | 6.50 | 1.71 | 6.44 | 1.71 | 6.32 | 1.72 |
| | -10 | 5.82 | 1.60 | 5.70 | 1.61 | 5.58 | 1.62 | 5.52 | 1.63 | 5.46 | 1.63 | 5.34 | 1.64 |
| | -15 | 4.83 | 1.52 | 4.71 | 1.53 | 4.59 | 1.55 | 4.53 | 1.55 | 4.47 | 1.55 | 4.35 | 1.56 |
| 13+10+10+10 | 15 | 10.95 | 2.01 | 10.83 | 2.03 | 10.71 | 2.05 | 10.65 | 2.05 | 10.59 | 2.05 | 10.46 | 2.07 |
| | 10 | 9.95 | 1.94 | 9.83 | 1.95 | 9.70 | 1.97 | 9.64 | 1.98 | 9.58 | 1.98 | 9.46 | 1.99 |
| | 6 | 9.15 | 1.87 | 9.02 | 1.89 | 8.90 | 1.91 | 8.84 | 1.91 | 8.78 | 1.91 | 8.65 | 1.92 |
| | 0 | 7.94 | 1.78 | 7.82 | 1.79 | 7.70 | 1.81 | 7.64 | 1.82 | 7.57 | 1.82 | 7.45 | 1.83 |
| | -5 | 6.94 | 1.70 | 6.82 | 1.72 | 6.69 | 1.73 | 6.63 | 1.74 | 6.57 | 1.74 | 6.45 | 1.75 |
| | -10 | 5.93 | 1.63 | 5.81 | 1.64 | 5.69 | 1.65 | 5.62 | 1.66 | 5.56 | 1.66 | 5.44 | 1.67 |
| | -15 | 4.93 | 1.55 | 4.80 | 1.56 | 4.68 | 1.58 | 4.62 | 1.58 | 4.56 | 1.58 | 4.44 | 1.59 |
| 16+10+10+10 | 15 | 10.95 | 2.01 | 10.83 | 2.03 | 10.71 | 2.05 | 10.65 | 2.05 | 10.59 | 2.05 | 10.46 | 2.07 |
| | 10 | 9.95 | 1.94 | 9.83 | 1.95 | 9.70 | 1.97 | 9.64 | 1.98 | 9.58 | 1.98 | 9.46 | 1.99 |
| | 6 | 9.15 | 1.87 | 9.02 | 1.89 | 8.90 | 1.91 | 8.84 | 1.91 | 8.78 | 1.91 | 8.65 | 1.92 |
| | 0 | 7.94 | 1.78 | 7.82 | 1.79 | 7.70 | 1.81 | 7.64 | 1.82 | 7.57 | 1.82 | 7.45 | 1.83 |
| | -5 | 6.94 | 1.70 | 6.82 | 1.72 | 6.69 | 1.73 | 6.63 | 1.74 | 6.57 | 1.74 | 6.45 | 1.75 |
| | -10 | 5.93 | 1.63 | 5.81 | 1.64 | 5.69 | 1.65 | 5.62 | 1.66 | 5.56 | 1.66 | 5.44 | 1.67 |
| | -15 | 4.93 | 1.55 | 4.80 | 1.56 | 4.68 | 1.58 | 4.62 | 1.58 | 4.56 | 1.58 | 4.44 | 1.59 |
| 18+10+10+10 | 15 | 10.95 | 2.01 | 10.83 | 2.03 | 10.71 | 2.05 | 10.65 | 2.05 | 10.59 | 2.05 | 10.46 | 2.07 |
| | 10 | 9.95 | 1.94 | 9.83 | 1.95 | 9.70 | 1.97 | 9.64 | 1.98 | 9.58 | 1.98 | 9.46 | 1.99 |
| | 6 | 9.15 | 1.87 | 9.02 | 1.89 | 8.90 | 1.91 | 8.84 | 1.91 | 8.78 | 1.91 | 8.65 | 1.92 |
| | 0 | 7.94 | 1.78 | 7.82 | 1.79 | 7.70 | 1.81 | 7.64 | 1.82 | 7.57 | 1.82 | 7.45 | 1.83 |
| | -5 | 6.94 | 1.70 | 6.82 | 1.72 | 6.69 | 1.73 | 6.63 | 1.74 | 6.57 | 1.74 | 6.45 | 1.75 |
| | -10 | 5.93 | 1.63 | 5.81 | 1.64 | 5.69 | 1.65 | 5.62 | 1.66 | 5.56 | 1.66 | 5.44 | 1.67 |
| | -15 | 4.93 | 1.55 | 4.80 | 1.56 | 4.68 | 1.58 | 4.62 | 1.58 | 4.56 | 1.58 | 4.44 | 1.59 |
| 13+13+10+10 | 15 | 10.95 | 2.01 | 10.83 | 2.03 | 10.71 | 2.05 | 10.65 | 2.05 | 10.59 | 2.05 | 10.46 | 2.07 |
| | 10 | 9.95 | 1.94 | 9.83 | 1.95 | 9.70 | 1.97 | 9.64 | 1.98 | 9.58 | 1.98 | 9.46 | 1.99 |
| | 6 | 9.15 | 1.87 | 9.02 | 1.89 | 8.90 | 1.91 | 8.84 | 1.91 | 8.78 | 1.91 | 8.65 | 1.92 |
| | 0 | 7.94 | 1.78 | 7.82 | 1.79 | 7.70 | 1.81 | 7.64 | 1.82 | 7.57 | 1.82 | 7.45 | 1.83 |
| | -5 | 6.94 | 1.70 | 6.82 | 1.72 | 6.69 | 1.73 | 6.63 | 1.74 | 6.57 | 1.74 | 6.45 | 1.75 |
| | -10 | 5.93 | 1.63 | 5.81 | 1.64 | 5.69 | 1.65 | 5.62 | 1.66 | 5.56 | 1.66 | 5.44 | 1.67 |
| | -15 | 4.93 | 1.55 | 4.80 | 1.56 | 4.68 | 1.58 | 4.62 | 1.58 | 4.56 | 1.58 | 4.44 | 1.59 |
| 16+13+10+10 | 15 | 10.95 | 2.01 | 10.83 | 2.03 | 10.71 | 2.05 | 10.65 | 2.05 | 10.59 | 2.05 | 10.46 | 2.07 |
| | 10 | 9.95 | 1.94 | 9.83 | 1.95 | 9.70 | 1.97 | 9.64 | 1.98 | 9.58 | 1.98 | 9.46 | 1.99 |
| | 6 | 9.15 | 1.87 | 9.02 | 1.89 | 8.90 | 1.91 | 8.84 | 1.91 | 8.78 | 1.91 | 8.65 | 1.92 |
| | 0 | 7.94 | 1.78 | 7.82 | 1.79 | 7.70 | 1.81 | 7.64 | 1.82 | 7.57 | 1.82 | 7.45 | 1.83 |
| | -5 | 6.94 | 1.70 | 6.82 | 1.72 | 6.69 | 1.73 | 6.63 | 1.74 | 6.57 | 1.74 | 6.45 | 1.75 |
| | -10 | 5.93 | 1.63 | 5.81 | 1.64 | 5.69 | 1.65 | 5.62 | 1.66 | 5.56 | 1.66 | 5.44 | 1.67 |
| | -15 | 4.93 | 1.55 | 4.80 | 1.56 | 4.68 | 1.58 | 4.62 | 1.58 | 4.56 | 1.58 | 4.44 | 1.59 |
| 18+13+10+10 | 15 | 10.95 | 2.01 | 10.83 | 2.03 | 10.71 | 2.05 | 10.65 | 2.05 | 10.59 | 2.05 | 10.46 | 2.07 |
| | 10 | 9.95 | 1.94 | 9.83 | 1.95 | 9.70 | 1.97 | 9.64 | 1.98 | 9.58 | 1.98 | 9.46 | 1.99 |
| | 6 | 9.15 | 1.87 | 9.02 | 1.89 | 8.90 | 1.91 | 8.84 | 1.91 | 8.78 | 1.91 | 8.65 | 1.92 |
| | 0 | 7.94 | 1.78 | 7.82 | 1.79 | 7.70 | 1.81 | 7.64 | 1.82 | 7.57 | 1.82 | 7.45 | 1.83 |
| | -5 | 6.94 | 1.70 | 6.82 | 1.72 | 6.69 | 1.73 | 6.63 | 1.74 | 6.57 | 1.74 | 6.45 | 1.75 |
| | -10 | 5.93 | 1.63 | 5.81 | 1.64 | 5.69 | 1.65 | 5.62 | 1.66 | 5.56 | 1.66 | 5.44 | 1.67 |
| | -15 | 4.93 | 1.55 | 4.80 | 1.56 | 4.68 | 1.58 | 4.62 | 1.58 | 4.56 | 1.58 | 4.44 | 1.59 |

Heating

4 - rooms multisplit : 4 - unit operation

Indoor units : 16 type + 16 type + 10 type + 10 type 18 type + 13 type + 13 type + 10 type
 18 type + 16 type + 10 type + 10 type 13 type + 13 type + 13 type + 13 type
 13 type + 13 type + 13 type + 10 type
 16 type + 13 type + 13 type + 10 type

Outdoor unit : RAS-4M27U2AVG-E

| Combination (Capacity) | Outdoor air temp. [°C WB] | Indoor air temp. [°C DB] | | | | | | | | | | | |
|---------------------------|---------------------------------|--------------------------|------------|------------|------------|------------|------------|------------|------------|------------|------------|------------|------------|
| | | 16 | | 18 | | 20 | | 21 | | 22 | | 24 | |
| | | TC [kW] | PI [kW] | TC [kW] | PI [kW] | TC [kW] | PI [kW] | TC [kW] | PI [kW] | TC [kW] | PI [kW] | TC [kW] | PI [kW] |
| 16+16+10+10 | 15 | 11.08 | 2.04 | 10.95 | 2.05 | 10.83 | 2.07 | 10.77 | 2.08 | 10.71 | 2.08 | 10.58 | 2.09 |
| | 10 | 10.06 | 1.96 | 9.94 | 1.97 | 9.81 | 1.99 | 9.75 | 2.00 | 9.69 | 2.00 | 9.56 | 2.01 |
| | 6 | 9.25 | 1.90 | 9.12 | 1.91 | 9.00 | 1.93 | 8.94 | 1.93 | 8.87 | 1.93 | 8.75 | 1.94 |
| | 0 | 8.03 | 1.80 | 7.91 | 1.81 | 7.78 | 1.83 | 7.72 | 1.84 | 7.66 | 1.84 | 7.54 | 1.85 |
| | -5 | 7.02 | 1.72 | 6.89 | 1.74 | 6.77 | 1.75 | 6.71 | 1.76 | 6.64 | 1.76 | 6.52 | 1.77 |
| | -10 | 6.00 | 1.65 | 5.87 | 1.66 | 5.75 | 1.67 | 5.69 | 1.68 | 5.62 | 1.68 | 5.50 | 1.69 |
| | -15 | 4.98 | 1.57 | 4.86 | 1.58 | 4.74 | 1.59 | 4.67 | 1.60 | 4.61 | 1.60 | 4.49 | 1.61 |
| 18+16+10+10 | 15 | 11.08 | 2.04 | 10.95 | 2.05 | 10.83 | 2.07 | 10.77 | 2.08 | 10.71 | 2.08 | 10.58 | 2.09 |
| | 10 | 10.06 | 1.96 | 9.94 | 1.97 | 9.81 | 1.99 | 9.75 | 2.00 | 9.69 | 2.00 | 9.56 | 2.01 |
| | 6 | 9.25 | 1.90 | 9.12 | 1.91 | 9.00 | 1.93 | 8.94 | 1.93 | 8.87 | 1.93 | 8.75 | 1.94 |
| | 0 | 8.03 | 1.80 | 7.91 | 1.81 | 7.78 | 1.83 | 7.72 | 1.84 | 7.66 | 1.84 | 7.54 | 1.85 |
| | -5 | 7.02 | 1.72 | 6.89 | 1.74 | 6.77 | 1.75 | 6.71 | 1.76 | 6.64 | 1.76 | 6.52 | 1.77 |
| | -10 | 6.00 | 1.65 | 5.87 | 1.66 | 5.75 | 1.67 | 5.69 | 1.68 | 5.62 | 1.68 | 5.50 | 1.69 |
| | -15 | 4.98 | 1.57 | 4.86 | 1.58 | 4.74 | 1.59 | 4.67 | 1.60 | 4.61 | 1.60 | 4.49 | 1.61 |
| 13+13+13+10 | 15 | 10.95 | 2.01 | 10.83 | 2.03 | 10.71 | 2.05 | 10.65 | 2.05 | 10.59 | 2.05 | 10.46 | 2.07 |
| | 10 | 9.95 | 1.94 | 9.83 | 1.95 | 9.70 | 1.97 | 9.64 | 1.98 | 9.58 | 1.98 | 9.46 | 1.99 |
| | 6 | 9.15 | 1.87 | 9.02 | 1.89 | 8.90 | 1.91 | 8.84 | 1.91 | 8.78 | 1.91 | 8.65 | 1.92 |
| | 0 | 7.94 | 1.78 | 7.82 | 1.79 | 7.70 | 1.81 | 7.64 | 1.82 | 7.57 | 1.82 | 7.45 | 1.83 |
| | -5 | 6.94 | 1.70 | 6.82 | 1.72 | 6.69 | 1.73 | 6.63 | 1.74 | 6.57 | 1.74 | 6.45 | 1.75 |
| | -10 | 5.93 | 1.63 | 5.81 | 1.64 | 5.69 | 1.65 | 5.62 | 1.66 | 5.56 | 1.66 | 5.44 | 1.67 |
| | -15 | 4.93 | 1.55 | 4.80 | 1.56 | 4.68 | 1.58 | 4.62 | 1.58 | 4.56 | 1.58 | 4.44 | 1.59 |
| 16+13+13+10 | 15 | 11.08 | 2.04 | 10.95 | 2.05 | 10.83 | 2.07 | 10.77 | 2.08 | 10.71 | 2.08 | 10.58 | 2.09 |
| | 10 | 10.06 | 1.96 | 9.94 | 1.97 | 9.81 | 1.99 | 9.75 | 2.00 | 9.69 | 2.00 | 9.56 | 2.01 |
| | 6 | 9.25 | 1.90 | 9.12 | 1.91 | 9.00 | 1.93 | 8.94 | 1.93 | 8.87 | 1.93 | 8.75 | 1.94 |
| | 0 | 8.03 | 1.80 | 7.91 | 1.81 | 7.78 | 1.83 | 7.72 | 1.84 | 7.66 | 1.84 | 7.54 | 1.85 |
| | -5 | 7.02 | 1.72 | 6.89 | 1.74 | 6.77 | 1.75 | 6.71 | 1.76 | 6.64 | 1.76 | 6.52 | 1.77 |
| | -10 | 6.00 | 1.65 | 5.87 | 1.66 | 5.75 | 1.67 | 5.69 | 1.68 | 5.62 | 1.68 | 5.50 | 1.69 |
| | -15 | 4.98 | 1.57 | 4.86 | 1.58 | 4.74 | 1.59 | 4.67 | 1.60 | 4.61 | 1.60 | 4.49 | 1.61 |
| 18+13+13+10 | 15 | 11.08 | 2.04 | 10.95 | 2.05 | 10.83 | 2.07 | 10.77 | 2.08 | 10.71 | 2.08 | 10.58 | 2.09 |
| | 10 | 10.06 | 1.96 | 9.94 | 1.97 | 9.81 | 1.99 | 9.75 | 2.00 | 9.69 | 2.00 | 9.56 | 2.01 |
| | 6 | 9.25 | 1.90 | 9.12 | 1.91 | 9.00 | 1.93 | 8.94 | 1.93 | 8.87 | 1.93 | 8.75 | 1.94 |
| | 0 | 8.03 | 1.80 | 7.91 | 1.81 | 7.78 | 1.83 | 7.72 | 1.84 | 7.66 | 1.84 | 7.54 | 1.85 |
| | -5 | 7.02 | 1.72 | 6.89 | 1.74 | 6.77 | 1.75 | 6.71 | 1.76 | 6.64 | 1.76 | 6.52 | 1.77 |
| | -10 | 6.00 | 1.65 | 5.87 | 1.66 | 5.75 | 1.67 | 5.69 | 1.68 | 5.62 | 1.68 | 5.50 | 1.69 |
| | -15 | 4.98 | 1.57 | 4.86 | 1.58 | 4.74 | 1.59 | 4.67 | 1.60 | 4.61 | 1.60 | 4.49 | 1.61 |
| 13+13+13+13 | 15 | 11.08 | 2.04 | 10.95 | 2.05 | 10.83 | 2.07 | 10.77 | 2.08 | 10.71 | 2.08 | 10.58 | 2.09 |
| | 10 | 10.06 | 1.96 | 9.94 | 1.97 | 9.81 | 1.99 | 9.75 | 2.00 | 9.69 | 2.00 | 9.56 | 2.01 |
| | 6 | 9.25 | 1.90 | 9.12 | 1.91 | 9.00 | 1.93 | 8.94 | 1.93 | 8.87 | 1.93 | 8.75 | 1.94 |
| | 0 | 8.03 | 1.80 | 7.91 | 1.81 | 7.78 | 1.83 | 7.72 | 1.84 | 7.66 | 1.84 | 7.54 | 1.85 |
| | -5 | 7.02 | 1.72 | 6.89 | 1.74 | 6.77 | 1.75 | 6.71 | 1.76 | 6.64 | 1.76 | 6.52 | 1.77 |
| | -10 | 6.00 | 1.65 | 5.87 | 1.66 | 5.75 | 1.67 | 5.69 | 1.68 | 5.62 | 1.68 | 5.50 | 1.69 |
| | -15 | 4.98 | 1.57 | 4.86 | 1.58 | 4.74 | 1.59 | 4.67 | 1.60 | 4.61 | 1.60 | 4.49 | 1.61 |

TOSHIBA CARRIER (THAILAND) CO.,LTD.

144/9 Moo 5, Bangkadi Industrial Park, Tivanon Road, Tambol Bangkadi,
Amphur Muang, Pathumthani 12000, Thailand

Copyright © 2015 TOSHIBA CARRIER (THAILAND), All Rights Reserved

Notice : Toshiba is committed to continuously improving its products to ensure the highest quality and reliability standard, and to meet local regulations and market requirements. All features and specifications are subject to change without prior notice.
